

Pipe Cover Installation Manual

For Models:
NPE-180/210/240A2
NPE-150/180/210/240S2

This kit must be installed by a qualified installer in accordance with these instructions and all applicable codes and requirements of the authorities having jurisdiction.

Keep this manual near the water heater for future reference whenever maintenance or service is required. The following safety symbols are used in this manual.

Read and follow all safety instructions in this manual precisely to avoid unsafe operating conditions, fire, explosion, property damage, personal injury, or death.



DANGER

Indicates an imminently hazardous situation which, if not avoided, could result in severe injury or death.



WARNING

Indicates a potentially hazardous situation which, if not avoided, could result in injury or death.



CAUTION

Indicates a potentially hazardous situation that, if not avoided, could result in property damage.



DANGER

If the information in these instructions is not followed exactly, a fire or explosion may result, causing property damage, personal injury, or death.

- Installation and service must be performed by a qualified installer, service agency or the gas supplier.
- The installation must conform with local codes or, in the absence of local codes, the National Fuel Gas Code, ANSI Z223.1/NFPA 54 and/or CSA B149.1, Natural Gas and Propane Installation Code.



WARNING

Do not store or use gasoline or other flammable liquids near this water heater. Doing so may result in fire or explosion.

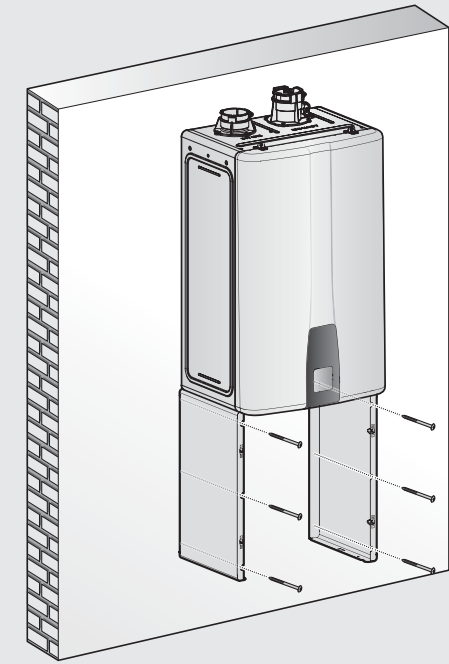
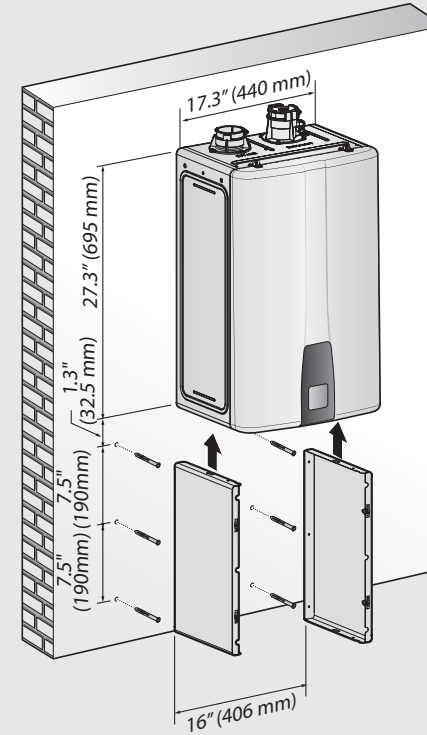


WARNING

This product can expose you to chemicals including lead, lead compounds, and carbon bisulfide which are known to the State of California to cause cancer and birth defects or other reproductive harm. For more information, go to www.P65Warnings.ca.gov.

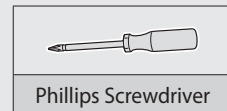
Installing Pipe Cover

1. Drill six holes that line up with the holes of the side covers into the selected wall, and then insert the anchors into the holes.
2. Attach the left and right side covers to the bottom of the water heater.
3. Align both side covers to the wall where the holes were drilled, and affix them to the wall using the six screws.



1 3
2 4

Required Tool



Phillips Screwdriver

Included Items

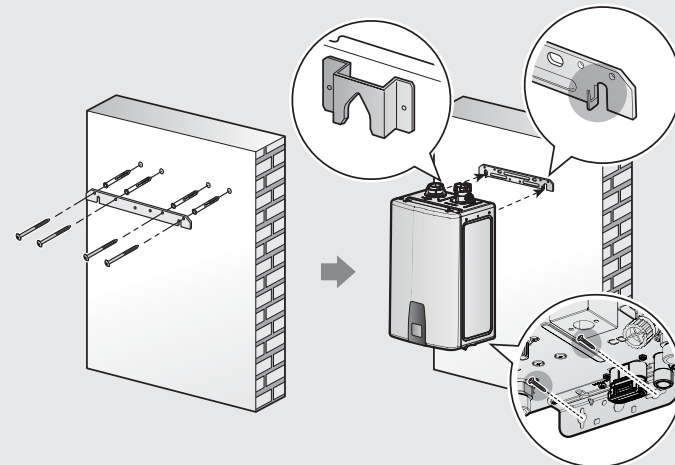
Left Side Cover	Right Side Cover	Front Cover
Support Bracket & Screws 2 EA	Tapping Screws & Anchors 6 EA	Installation Manual

Mounting Water Heater

Navien water heaters come with an upper mounting bracket that is pre-drilled at 16 in for easy installation on standard wall studs. If the strength of the wall is insufficient or if the framing is non-standard or uneven, reinforce the area before installing the water heater. Avoid installation on common walls as the unit will make some operational noises while it is running.

To mount the water heater to the wall:

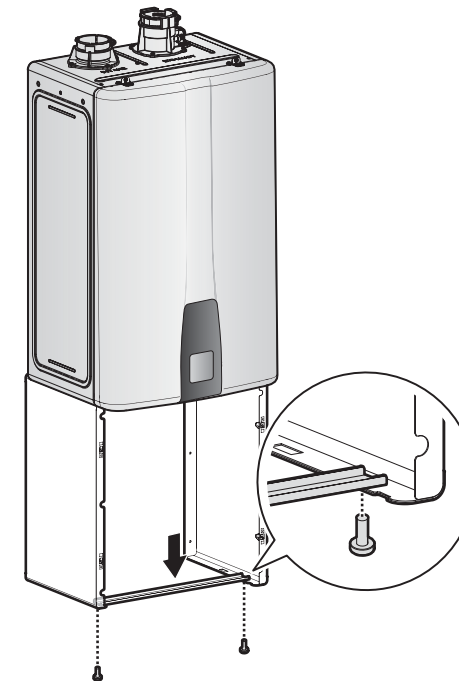
1. Affix the bracket securely to the wall and ensure that it is level and that it can support the weight of the water heater.
2. Align the grooves on the back of the water heater with the tongues on the mounting bracket and hang the water heater on the bracket. When mounted with the mounting bracket, the water heater will have a $\frac{5}{8}$ in (16 mm) clearance from the back of the wall.
3. Install two set screws through the bracket at the bottom of the water heater to secure the water heater on the wall.



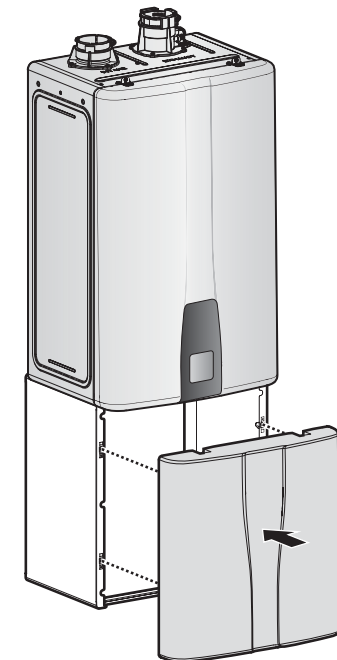
CAUTION

Do not mount the water heater to drywall that has not been reinforced.

4. Install the support bracket between left and right side covers, fastening it with two screws.



5. Attach the front cover to both side covers by inserting the latches on the front cover in the provided four slots.



Navien, Inc.

20 Goodyear Irvine, CA 92618
TEL 1-800-519-8794 FAX 949-420-0430
www.navieninc.com