

Outdoor Vent Cover Installation Manual



For Models:

NPE-180A2/210A2/240A2
NPE-150S2/180S2/210S2/240S2

This kit must be installed by a qualified installer in accordance with these instructions and all applicable codes and requirements of the authorities having jurisdiction. Keep this manual near the water heater for future reference whenever maintenance or service is required. The following safety symbols are used in this manual. Read and follow all safety instructions in this manual precisely to avoid unsafe operating conditions, fire, explosion, property damage, personal injury, or death.

! DANGER

Indicates an imminently hazardous situation which, if not avoided, could result in severe injury or death.

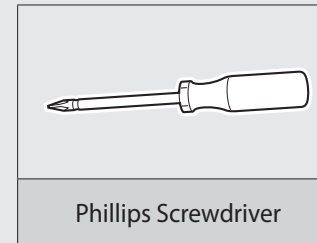
! WARNING

Indicates a potentially hazardous situation which, if not avoided, could result in injury or death.

! CAUTION

Indicates a potentially hazardous situation that, if not avoided, could result in property damage.

Required Tool

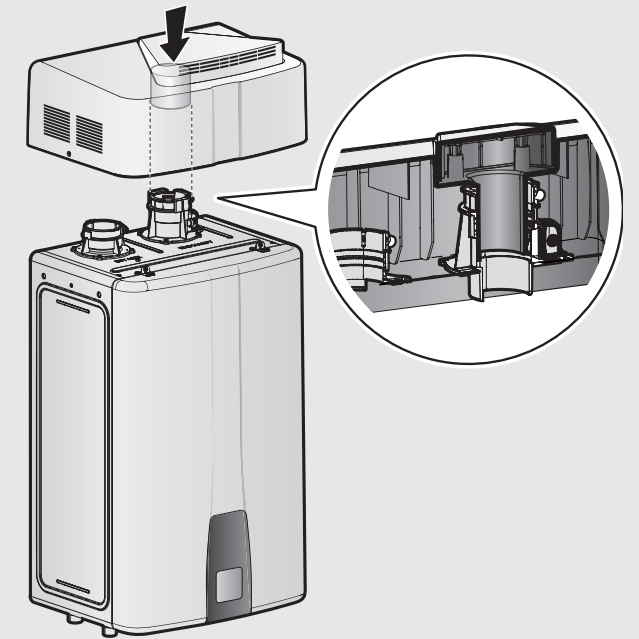


Included Items

Outdoor Vent Cover	Installation Manual
Screws 2 EA	

Installing Outdoor Vent Cover

1. Position the outdoor vent cover on top of the water heater and securely press it into the intake and exhaust collars as illustrated.



Make sure all the screw holes are aligned, and connectors for both vents are connected into place.

1 3
2 4

! DANGER

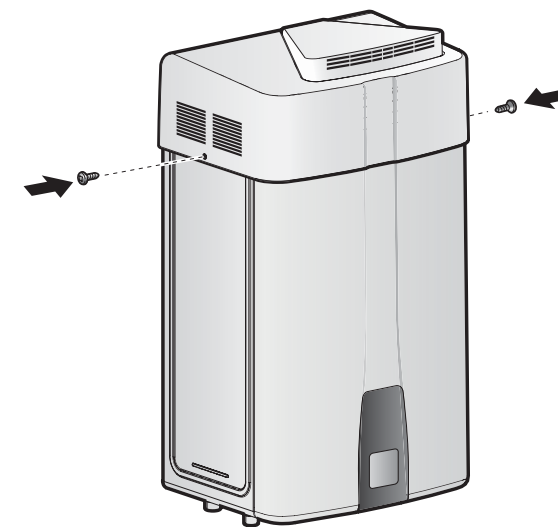
If the information in these instructions is not followed exactly, a fire or explosion may result, causing property damage, personal injury, or death.

- Installation and service must be performed by a qualified installer, service agency or the gas supplier.
- The installation must conform with local codes or, in the absence of local codes, the National Fuel Gas Code, ANSI Z223.1/NFPA 54 and/or CSA B149.1, Natural Gas and Propane Installation Code.

! WARNING

- The outdoor vent cover gets hot during operation. Install the heater in a location where the top of the vent cover kit cannot be reached by children and pets.
- Exhaust gas will be released through the outdoor vent cover kit. Exhaust gas is hot and contains carbon monoxide. The outdoor vent cover kit cannot be installed on a water heater mounted indoors. To prevent risk of fire and carbon monoxide poisoning, observe all clearances required in this manual.
- Do not place or store any combustible material within 5 feet of the appliance. Maintain specified clearance to combustibles on the wall where the appliance is installed and any adjacent walls or overhang. Observe all clearances required in this manual.
- The water in this appliance is cold and always remains cold except for the times when the burner is on. To prevent any damages from freezing, always drain the water heater.
- Damage to the water heater from freezing is not covered under the manufacturer's warranty.

2. Tighten the screws on the both side of the water heater.



! WARNING

Make sure the front cover of the water heater is securely reattached to prevent any damages to the water heater.

Note Once the outdoor vent cover is installed, it does not need to be removed before removing the front cover of the water heater.

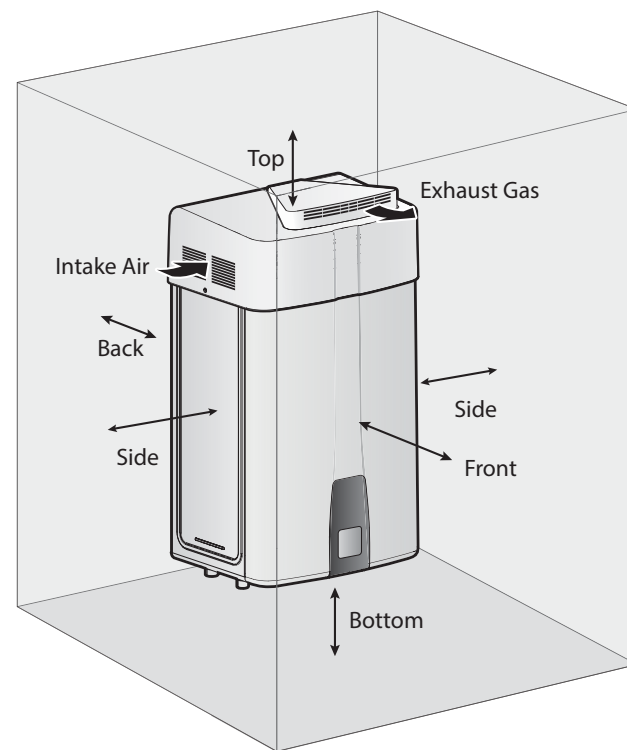
Choosing an Installation Location

When choosing an installation location, you must ensure that the location provides adequate clearance for the water heater, adequate venting and drainage options, and sufficient access to gas, water, and electrical supplies. Before proceeding, read the water heater installation manual.

- Choose an outside wall for the installation. Installation on a wall protected by an overhang above is recommended.
- Size the water and gas connections according to the instructions in the water heater installation manual. Use unions when connecting both water lines and the gas supply line to the heater.

Install the water heater in an area that allows for service and maintenance access to utility connections, piping, filters, and traps. Based on the installation location, allow for the following minimum clearances from the water heater:

References	Minimum distances
Bottom	12"
Back	0.5"
Sides	3"
Front	24"
Top	36"

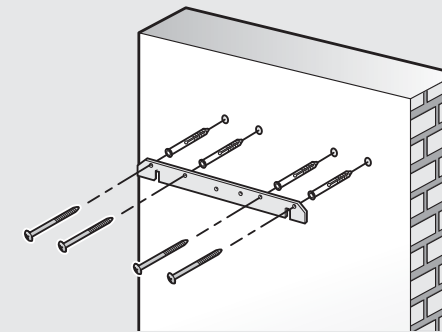


Mounting Water Heater

Navien water heaters come with a mounting bracket that is pre-drilled at 16 inches on center for easy installation on standard wall studs. If the strength of the wall is insufficient or if the framing is non-standard or uneven, reinforce the area before installing the water heater. Avoid installation on common walls as the unit will make some operational noises while it is running.

To mount the water heater to the wall:

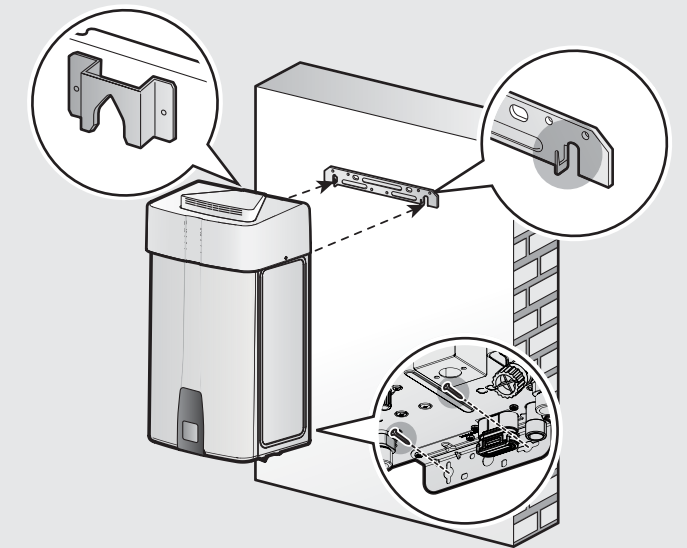
1. Affix the bracket securely to the wall and ensure that it is level and that it can support the weight of the water heater.



2. Align the grooves on the back of the water heater with the tongues on the mounting bracket and hang the water heater on the bracket.

When mounted with the mounting bracket, the water heater will have a 5/8 in (16 mm) clearance from the back of the wall.

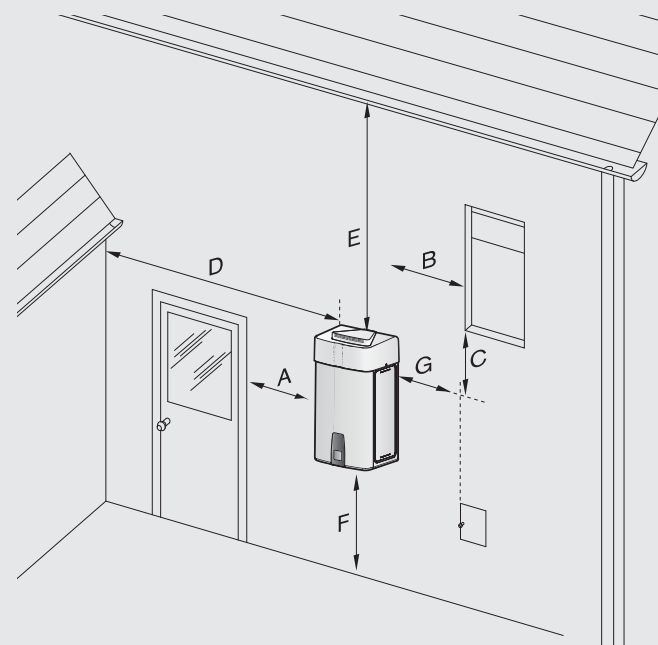
3. Install two set screws through the bracket at the bottom of the water heater to secure the water heater on the wall.



! CAUTION

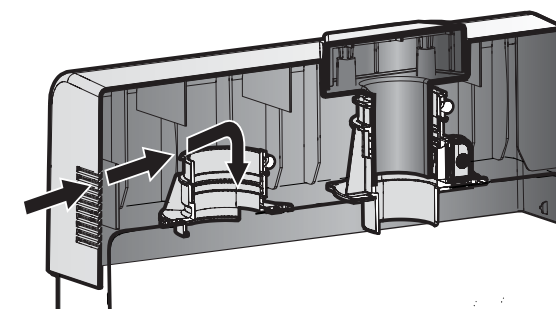
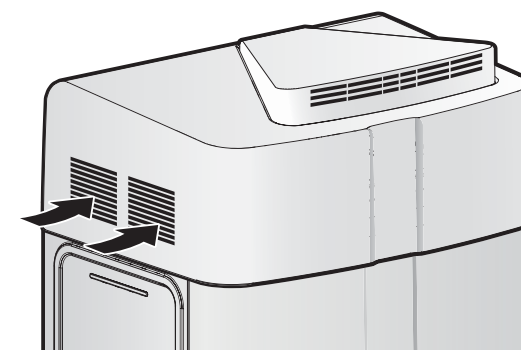
Do not mount the water heater to drywall that has not been reinforced.

5 7
6 8

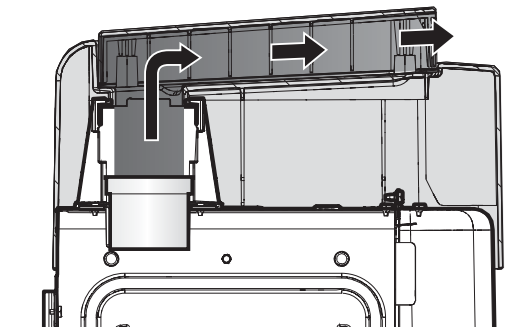
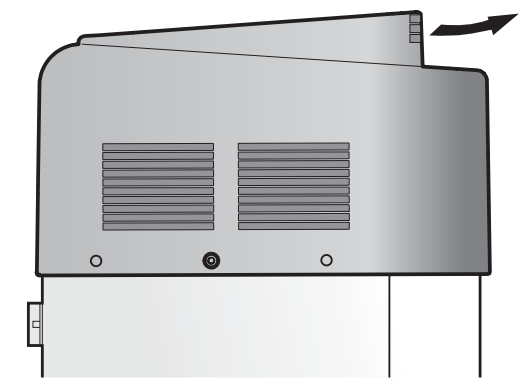


References	Descriptions	Minimum distances
A	Directly below or adjacent to an opening; operable windows, doors and any fresh air openings	48" (USA)
B		
C		
D	From any adjacent wall	12"
E	Below a gutter, sanitary pipework, eaves or overhang	36"
F	Above ground	12"
G	From a gas meter or gas regulator	36"

Ventilation Flow



Intake Air Flow



Exhaust Gas Flow