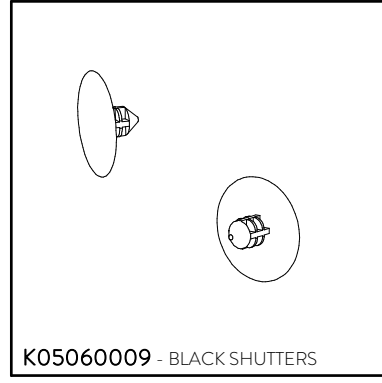


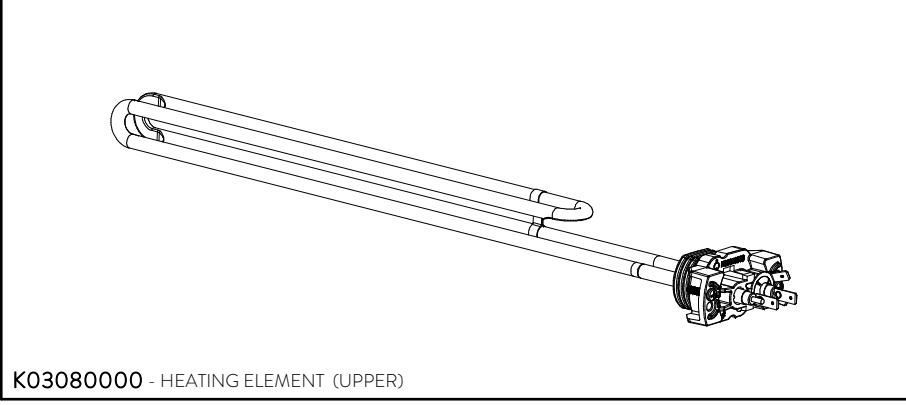
K03060006 - OPTIONNAL PLUGS



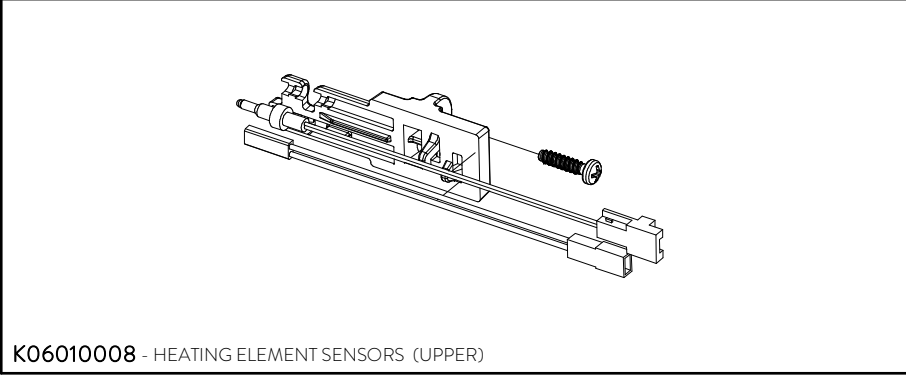
K01080009 - OVERALL PRODUCT SEALS KIT  
(BLUE SILICON SEAL NOT INCLUDED)



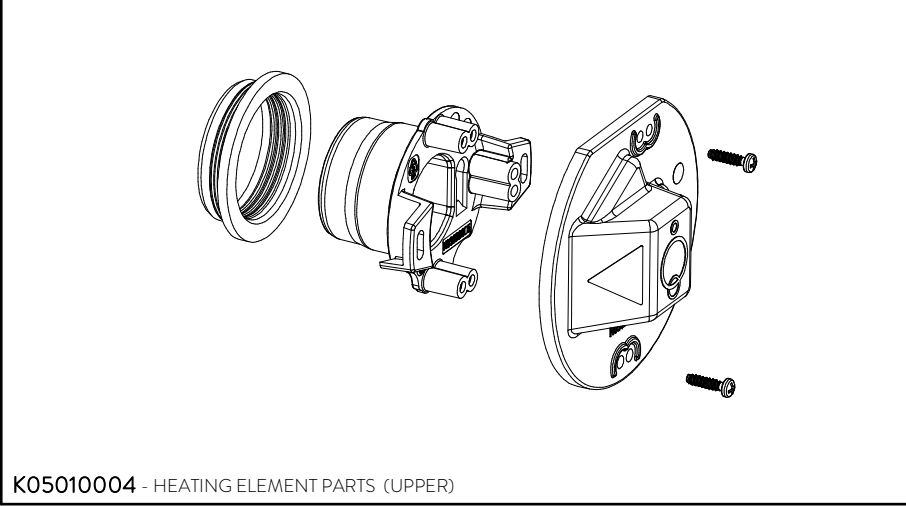
K05060009 - BLACK SHUTTERS



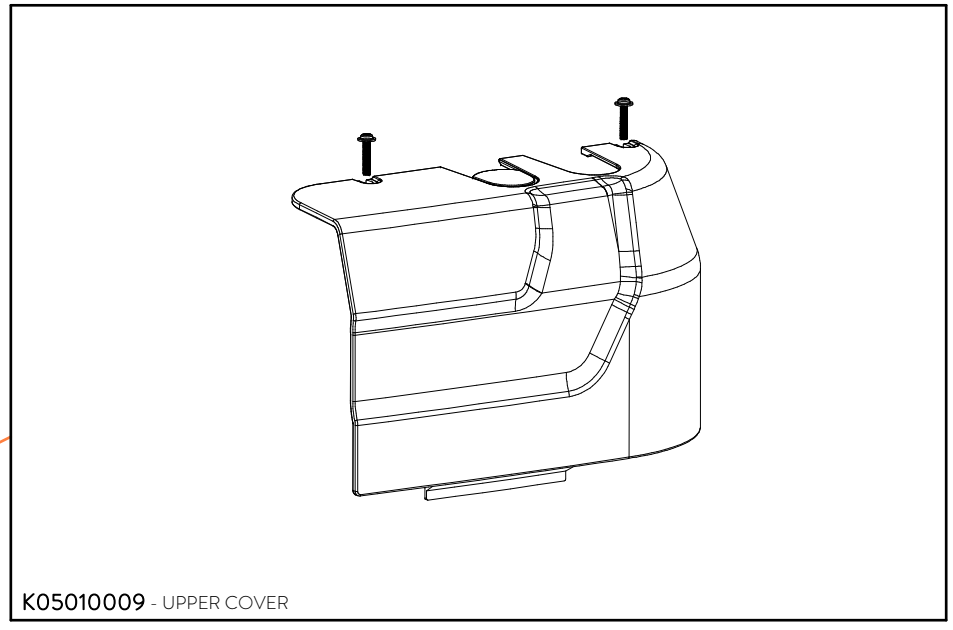
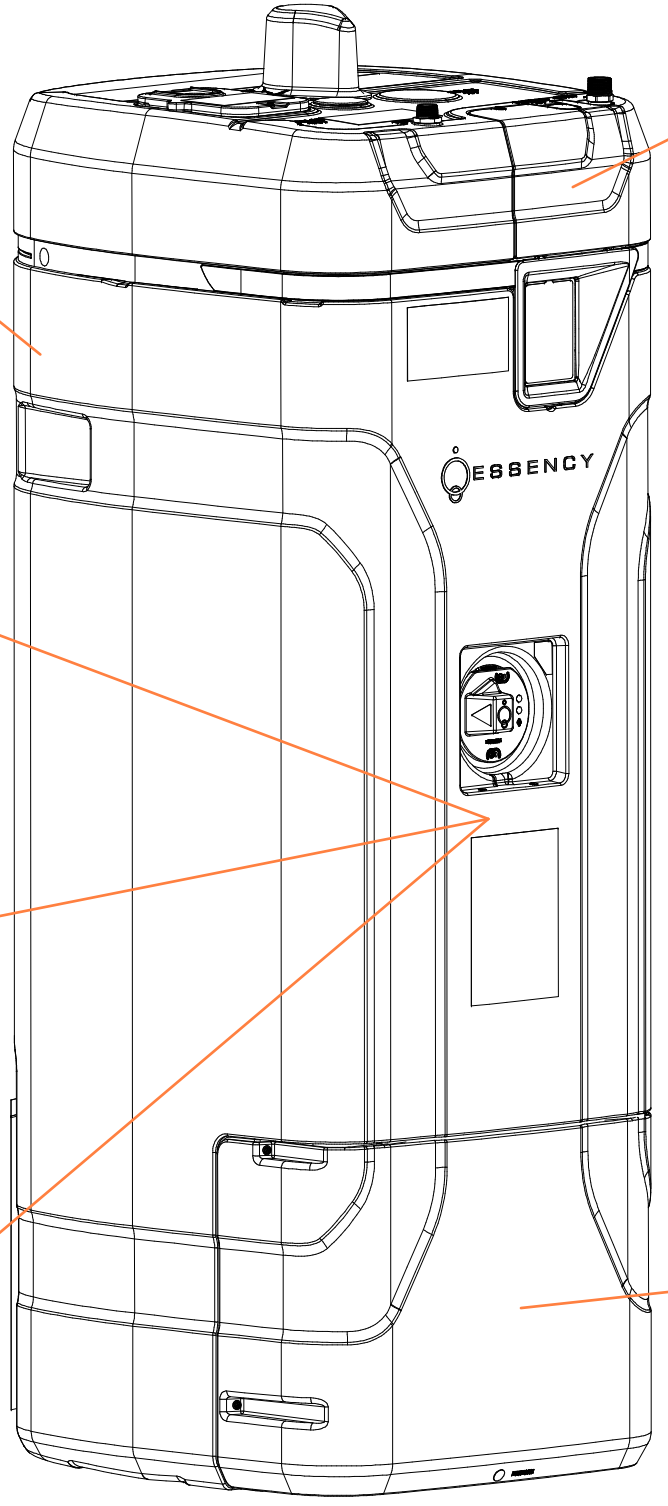
K03080000 - HEATING ELEMENT (UPPER)



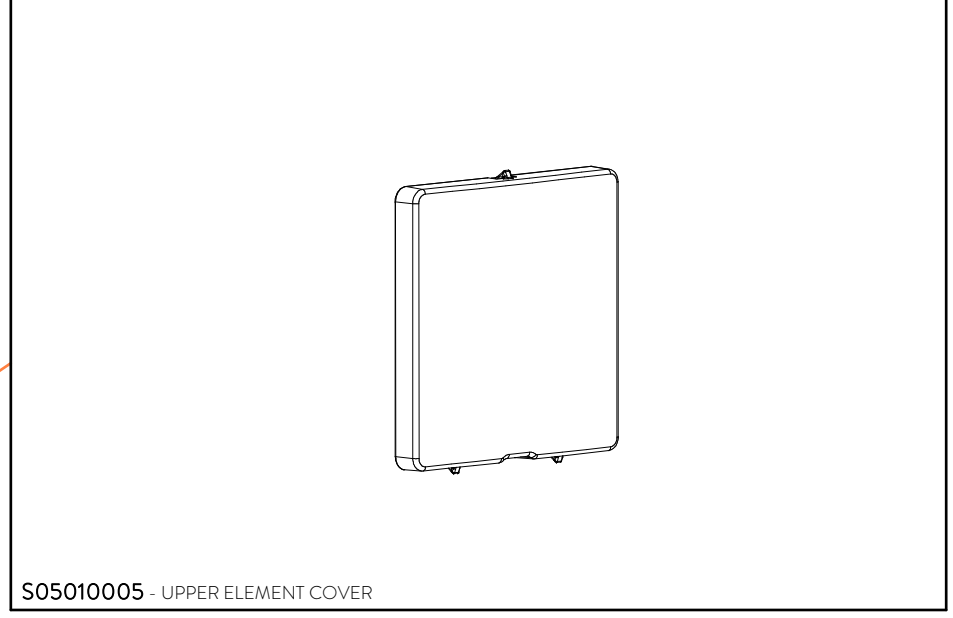
K06010008 - HEATING ELEMENT SENSORS (UPPER)



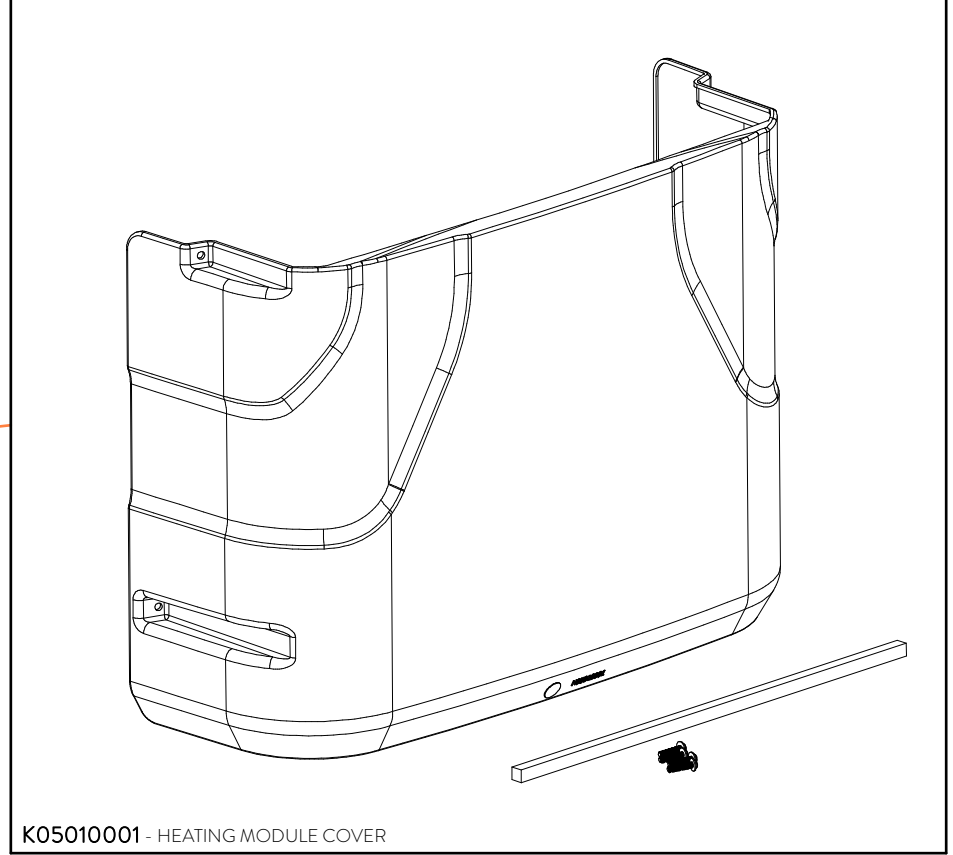
K05010004 - HEATING ELEMENT PARTS (UPPER)



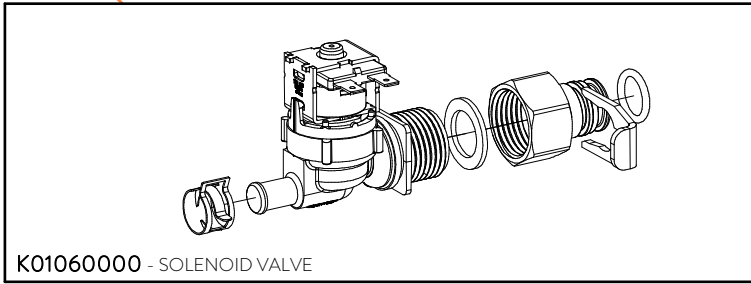
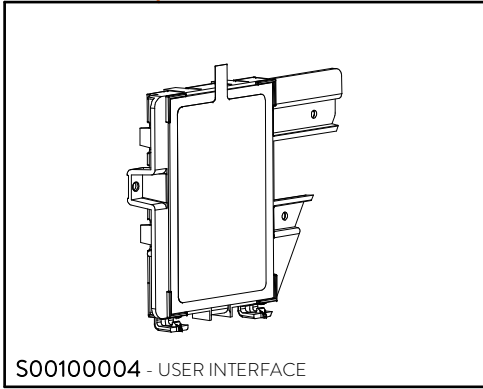
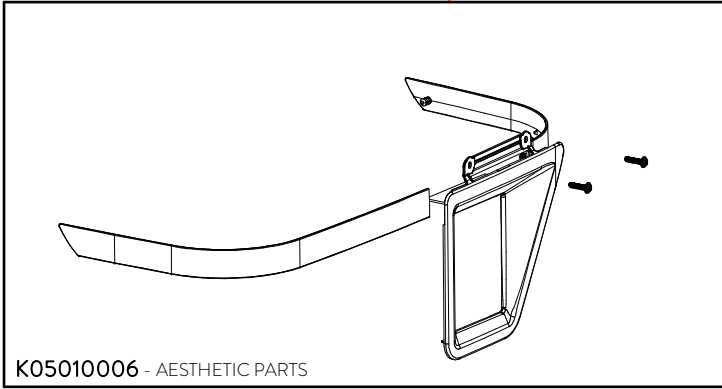
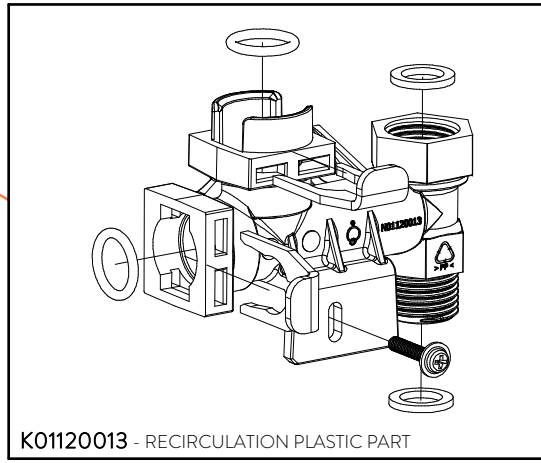
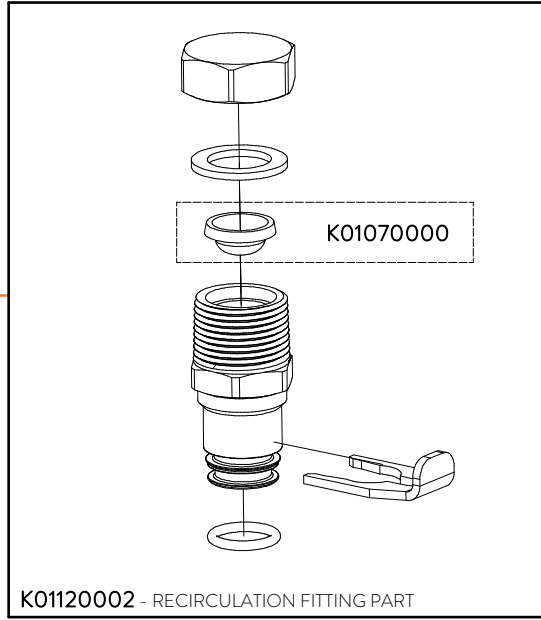
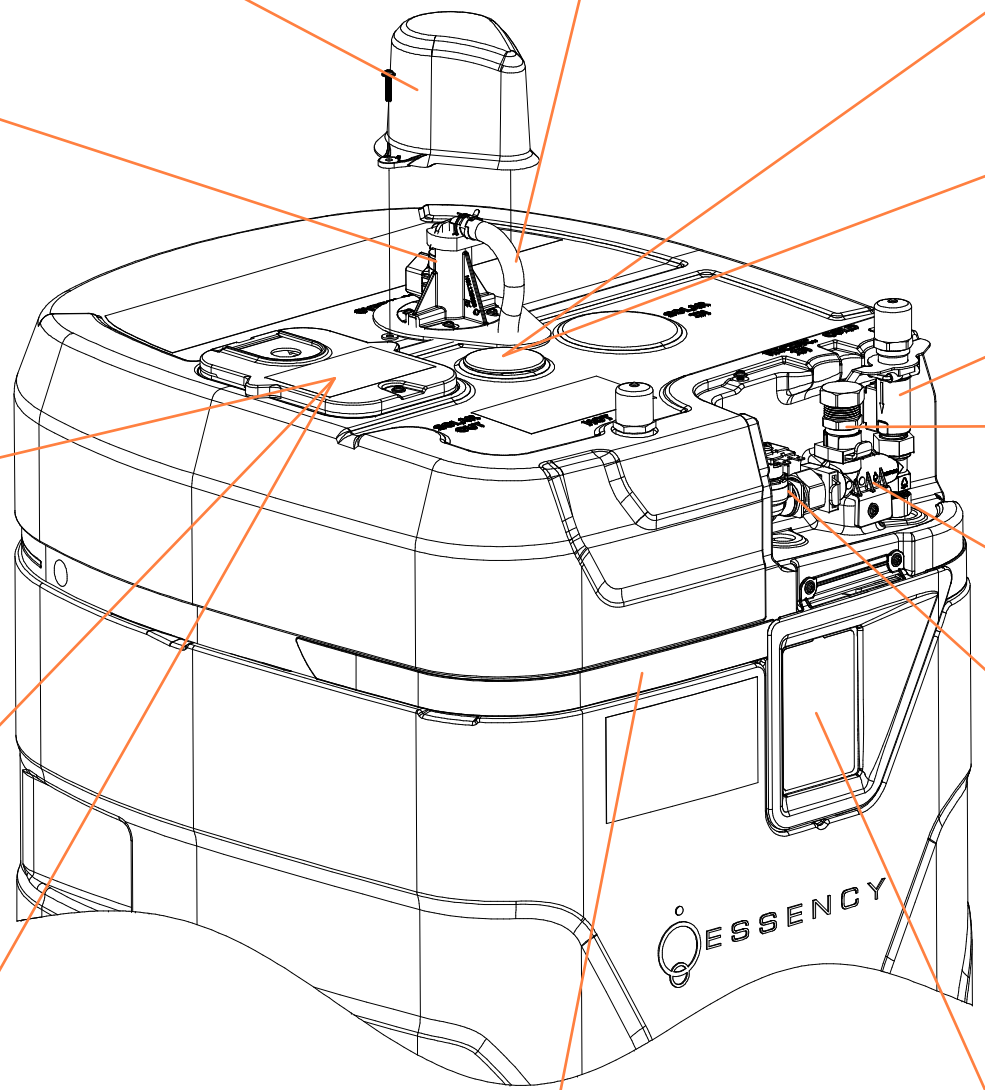
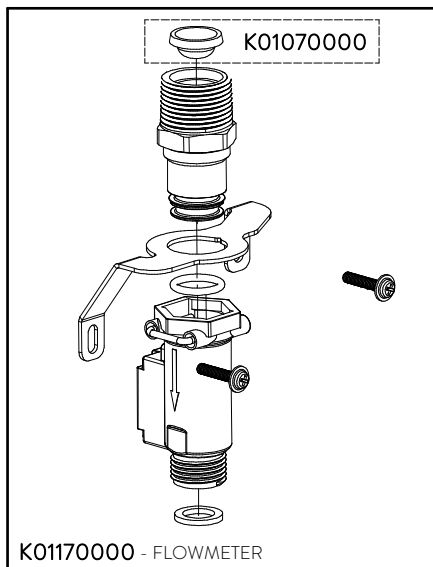
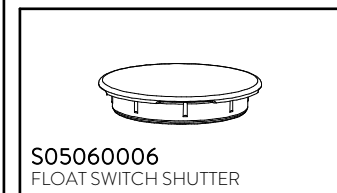
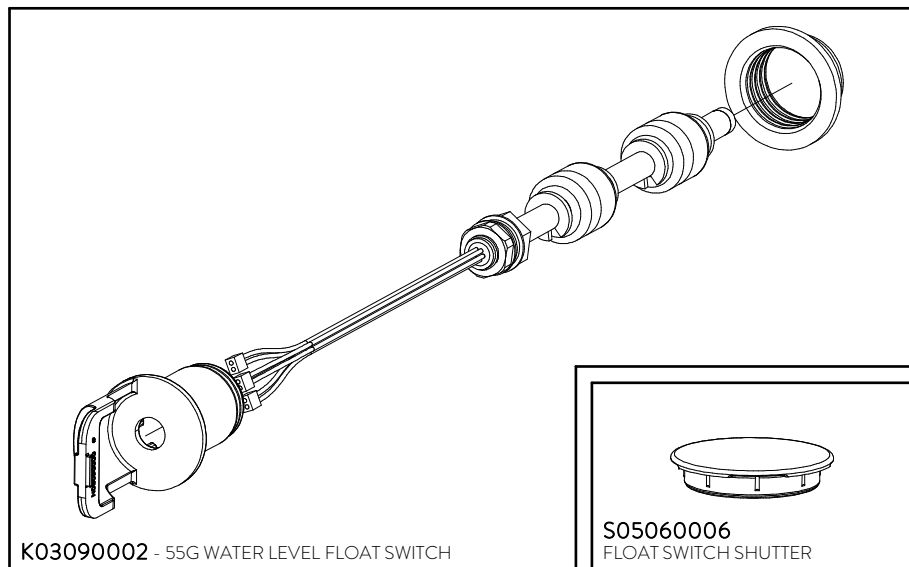
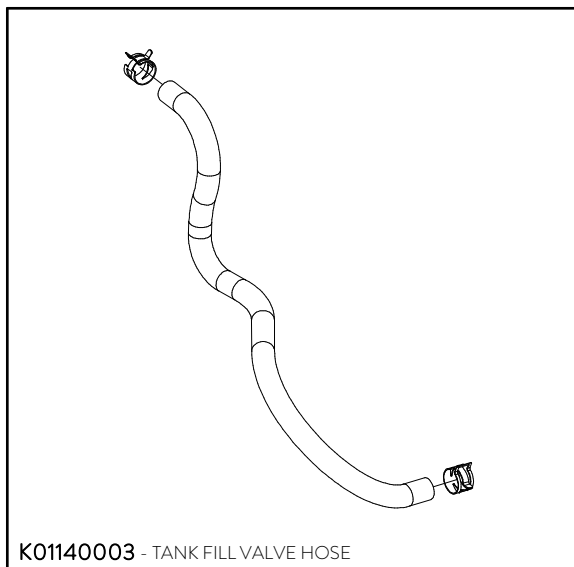
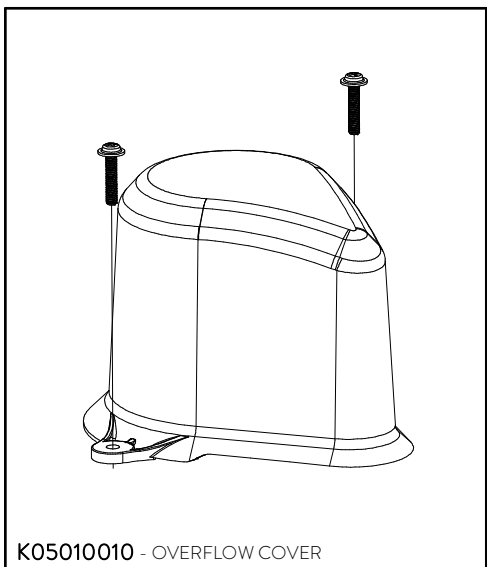
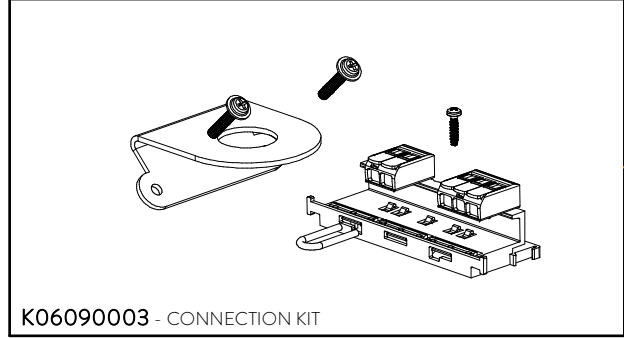
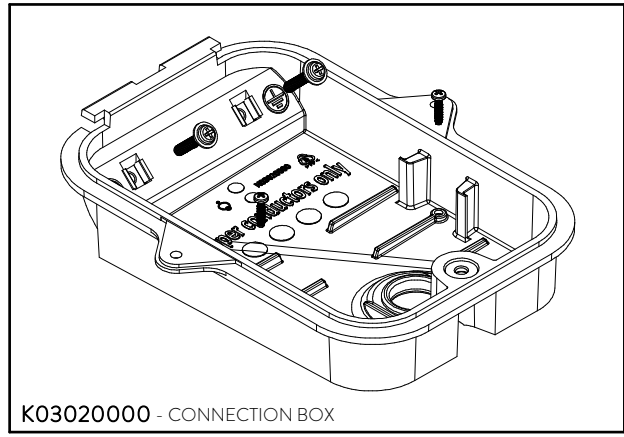
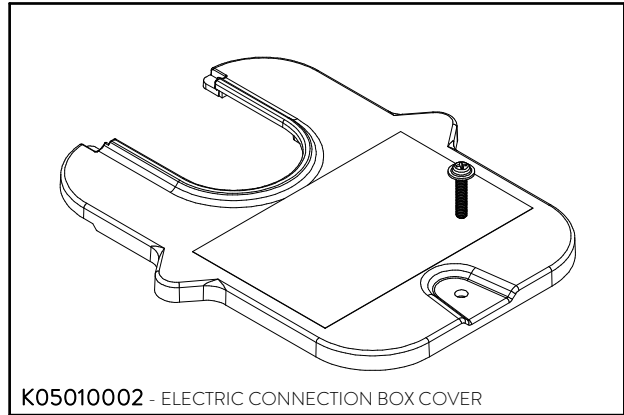
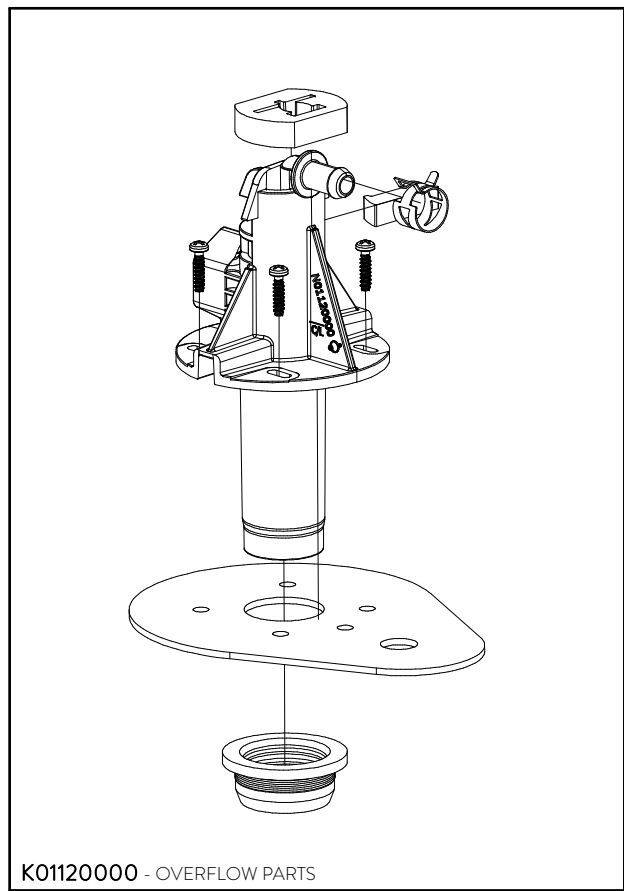
K05010009 - UPPER COVER

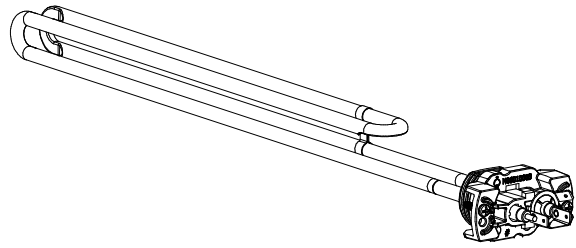


S05010005 - UPPER ELEMENT COVER

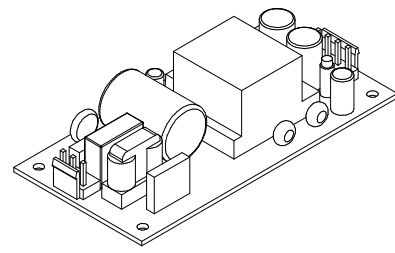


K05010001 - HEATING MODULE COVER

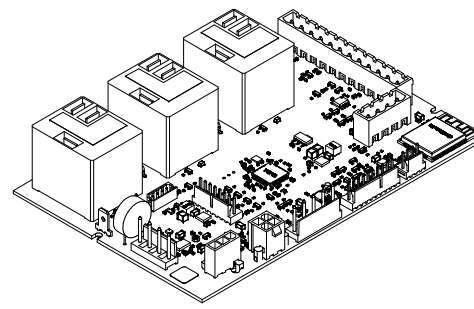




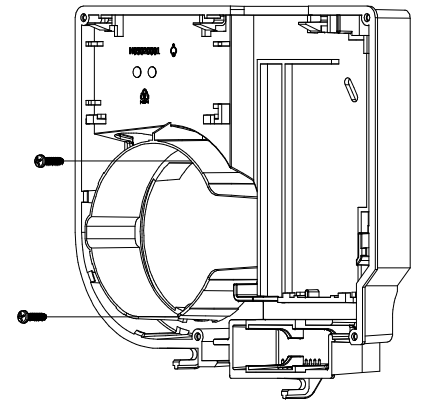
K03080000 - HEATING ELEMENT (LOWER)



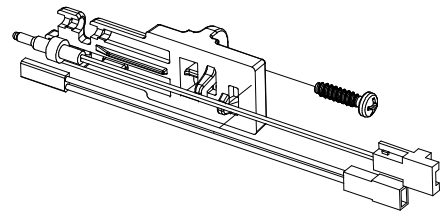
S03040000 - POWER SUPPLY 14VDC 50W



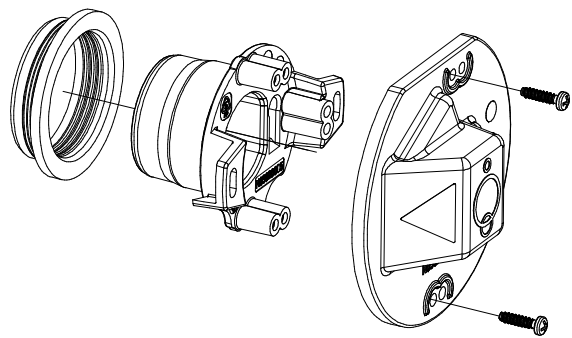
S03030000 - WH ELECTRONIC CONTROL BOARD



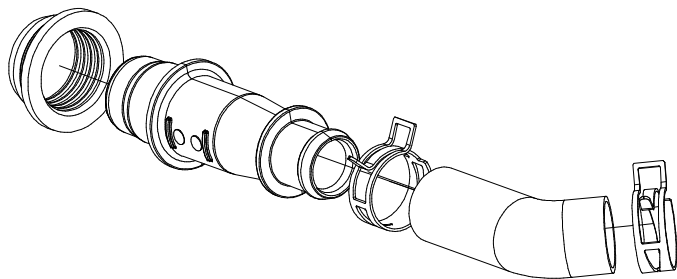
K03020001 - CONTROL BOARD SUPPORT



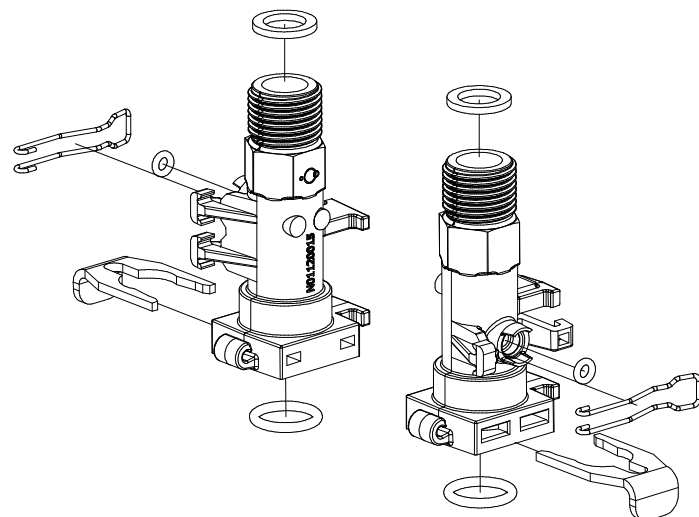
K06010008 - HEATING ELEMENT SENSORS (LOWER)



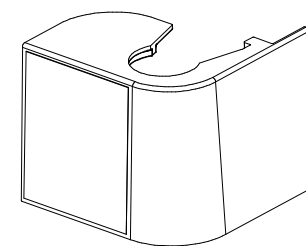
K05010004 - HEATING ELEMENT PARTS (LOWER)



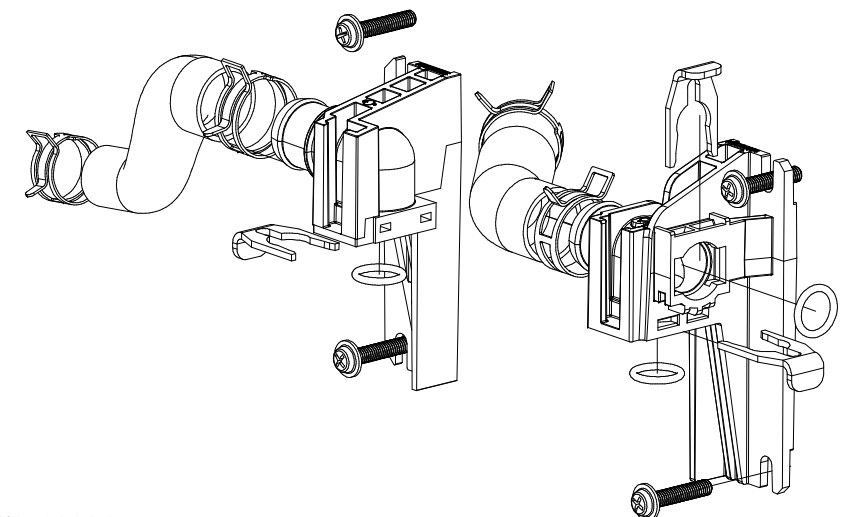
K01120001 - MODULE RETURN CONNECTION



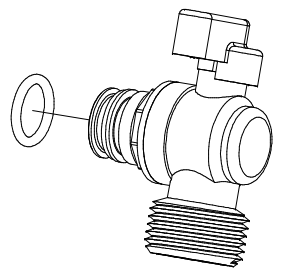
K01120014 - WH MODULE FRONT BLOCKS (LEFT and RIGHT)  
(TEMPERATURE SENSORS NOT INCLUDED, SEE K03090000 KIT)



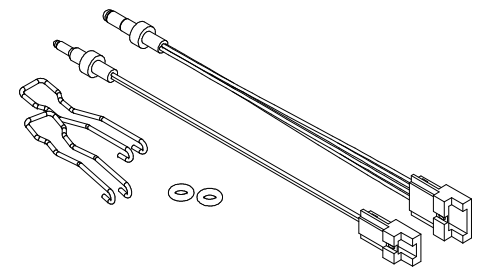
K05020002 - BPHE BURNING PROTECTION



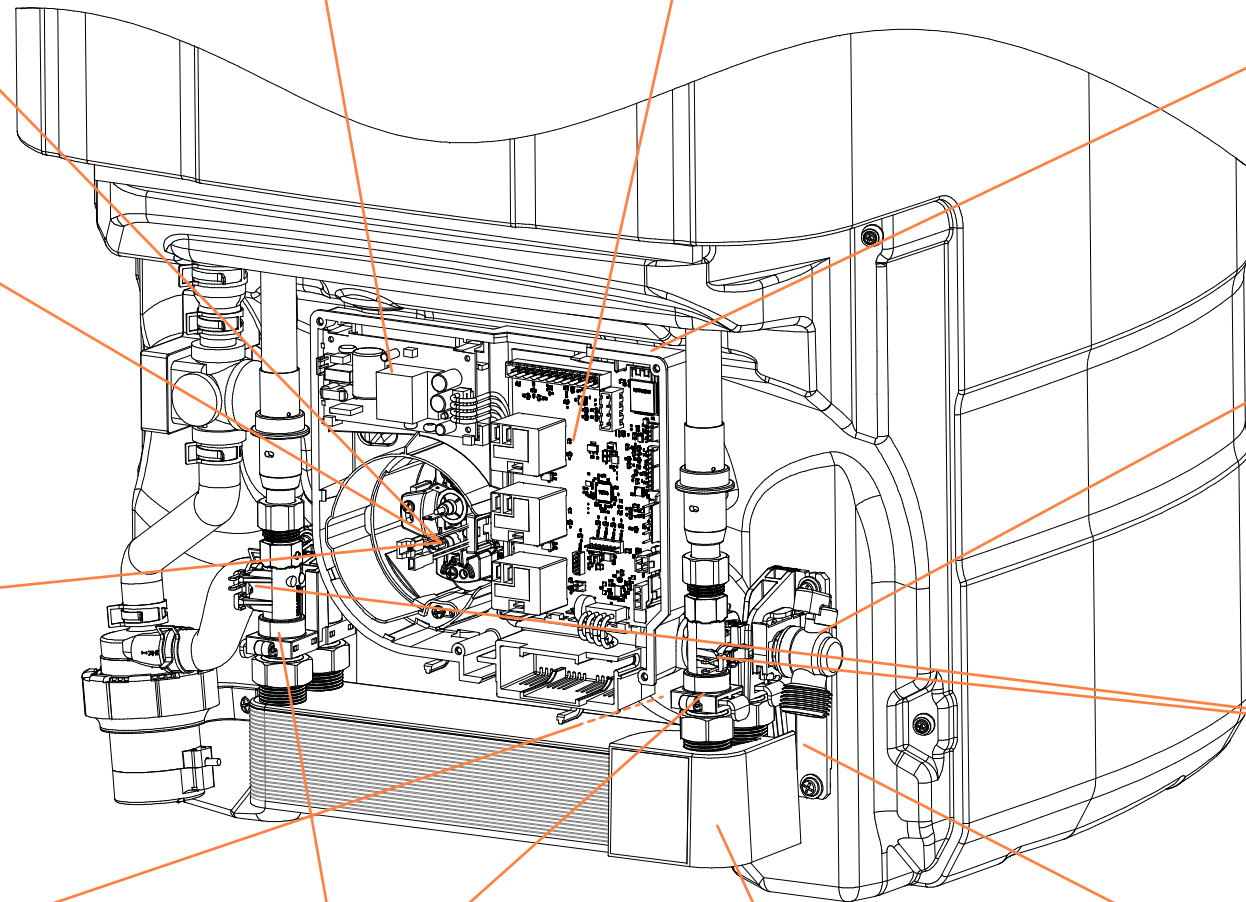
K01120004 - WH MODULE REAR BLOCKS (LEFT and RIGHT)

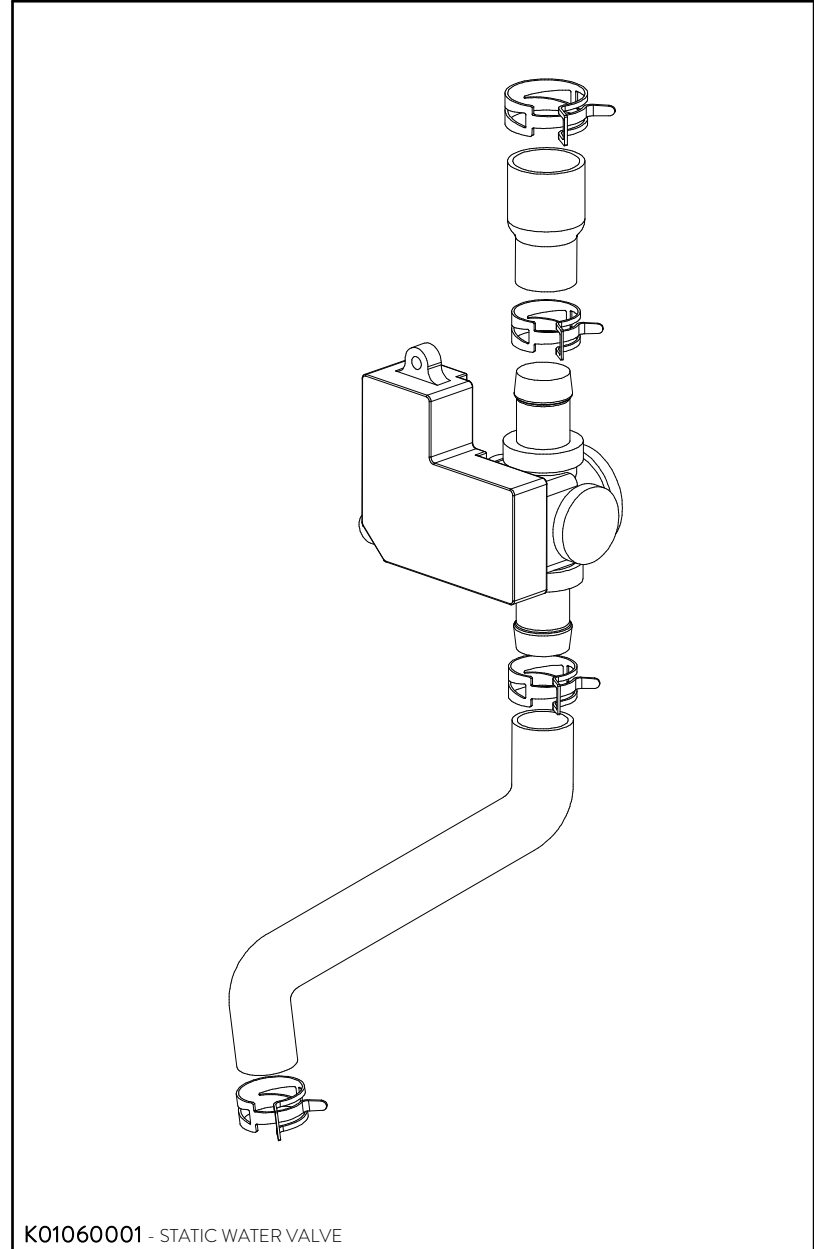


K01160000 - DRAIN VALVE

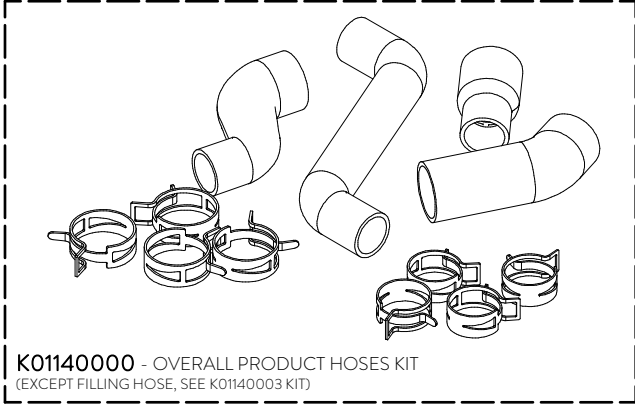


K03090000 - DOMESTIC WATER TEMPERATURE SENSORS

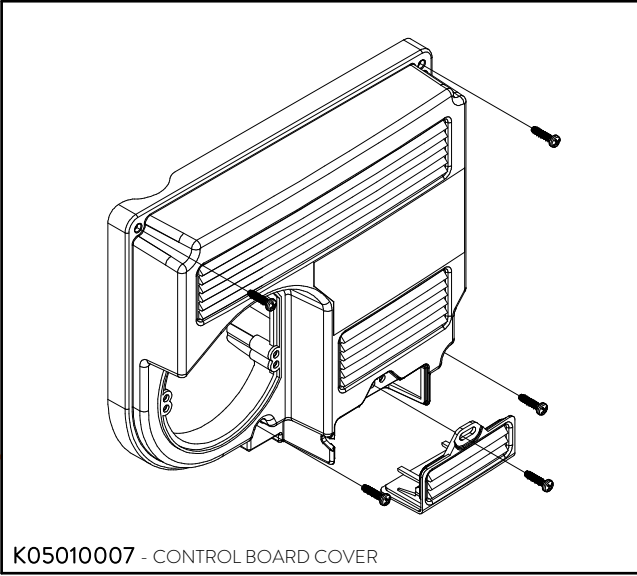




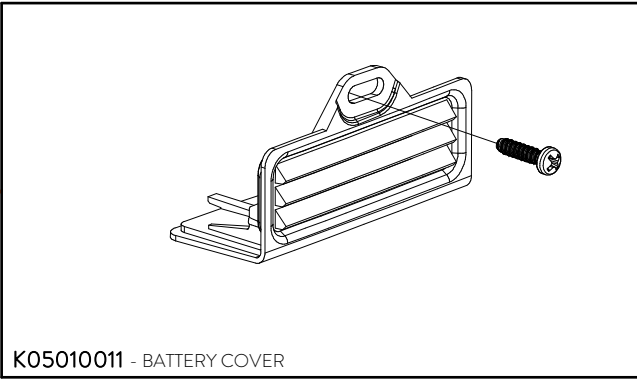
K01060001 - STATIC WATER VALVE



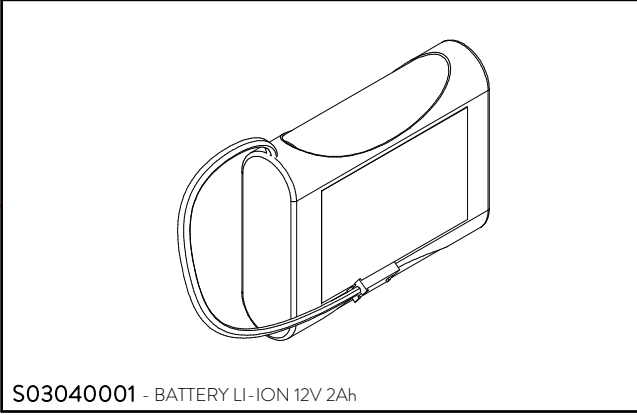
K01140000 - OVERALL PRODUCT HOSES KIT  
(EXCEPT FILLING HOSE, SEE K01140003 KIT)



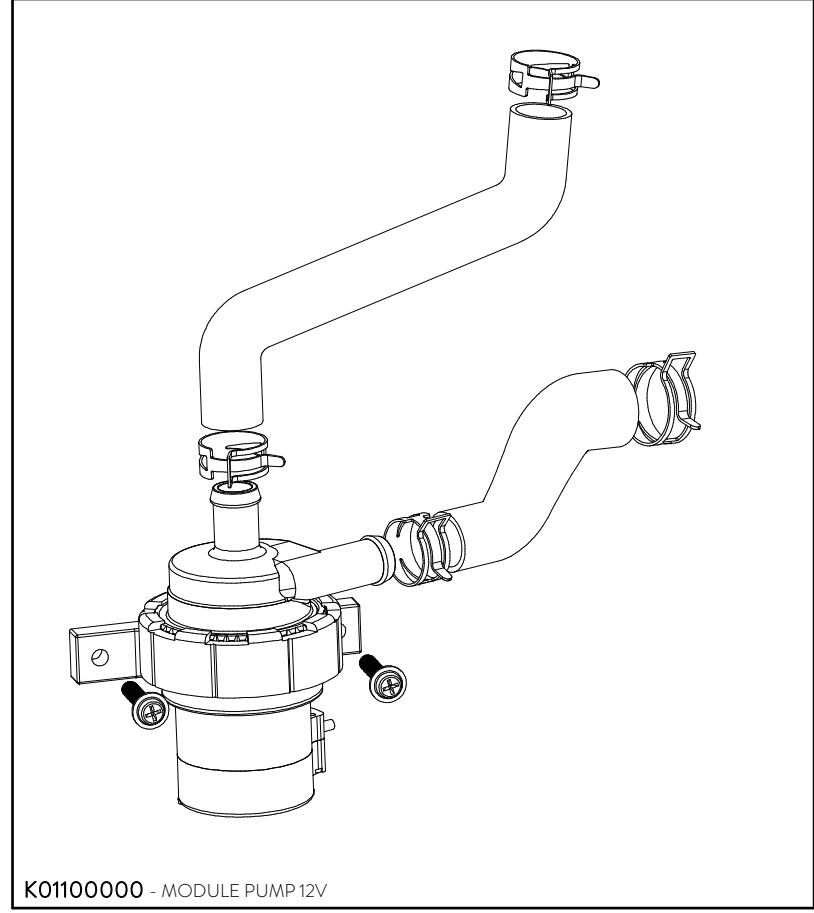
K05010007 - CONTROL BOARD COVER



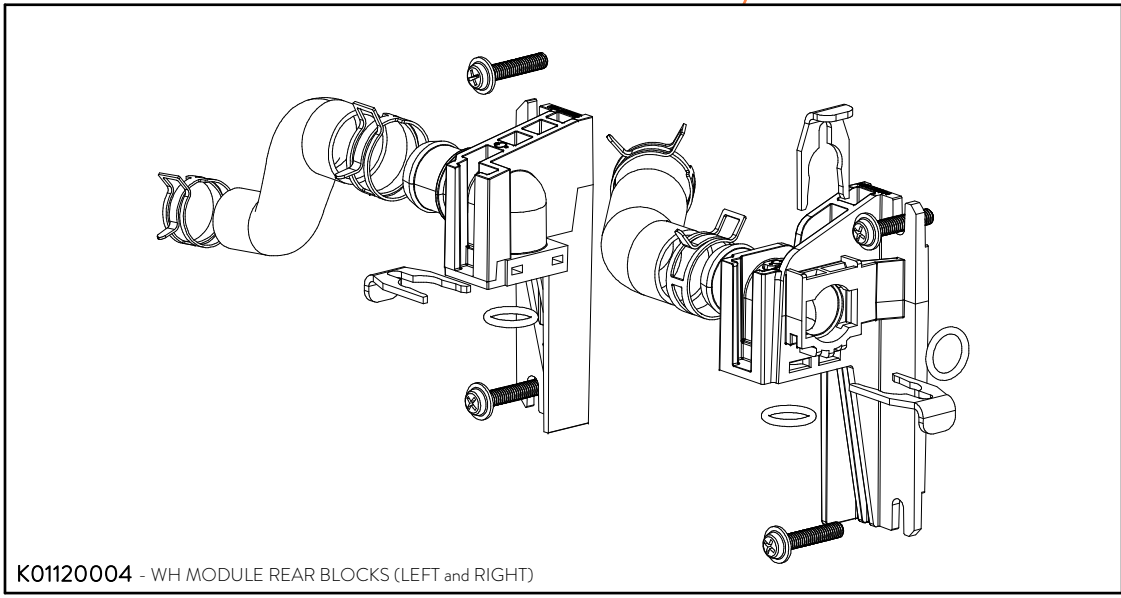
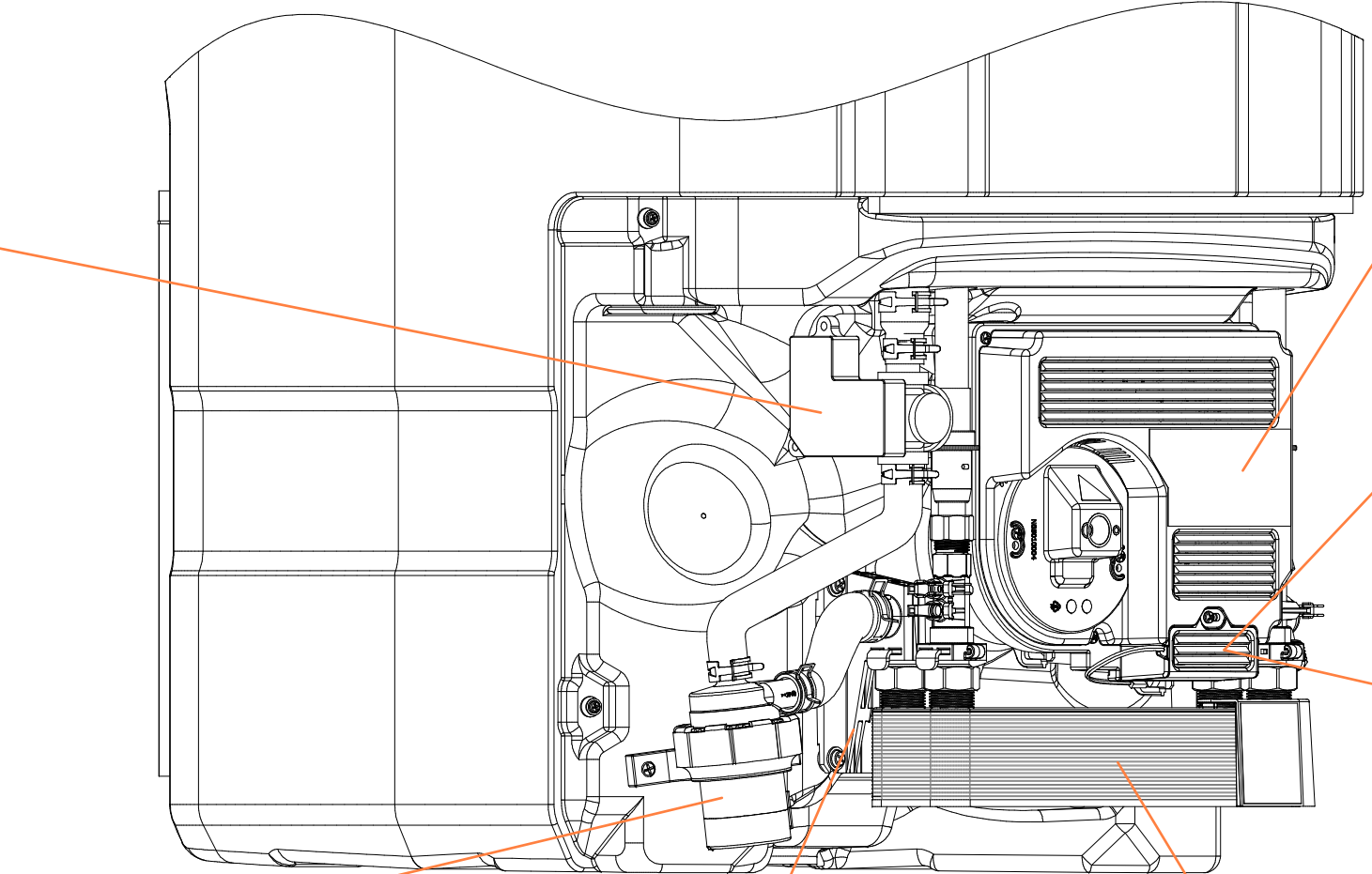
K05010011 - BATTERY COVER



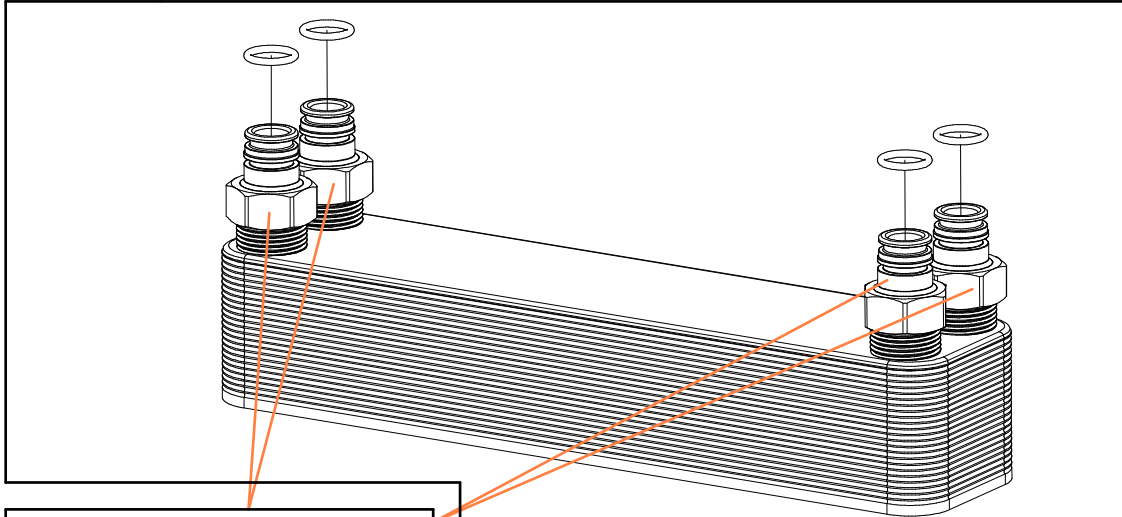
S03040001 - BATTERY LI-ION 12V 2Ah



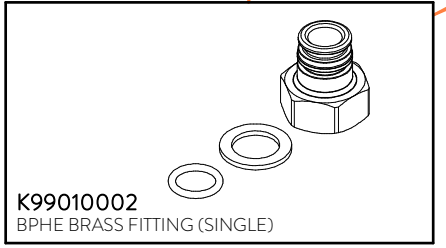
K01100000 - MODULE PUMP 12V



K01120004 - WH MODULE REAR BLOCKS (LEFT and RIGHT)



K07010000 - BRAZED PLATE HEAT EXCHANGER  
(BRASS FITTING AND SEALS ARE INCLUDED)



K99010002  
BPHE BRASS FITTING (SINGLE)