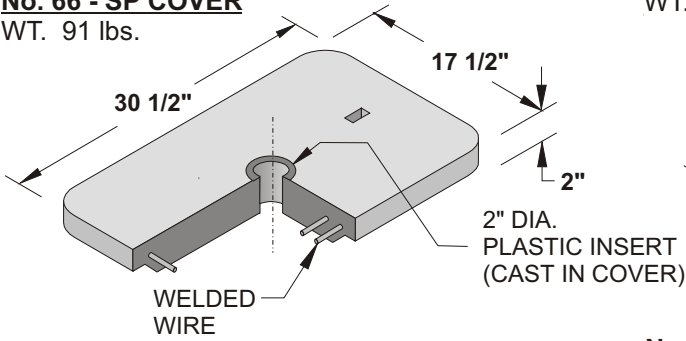


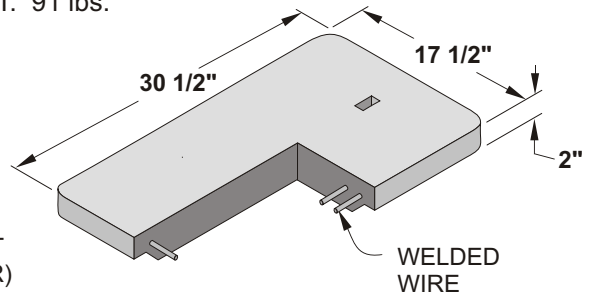
No. 66 - SP COVER

WT. 91 lbs.



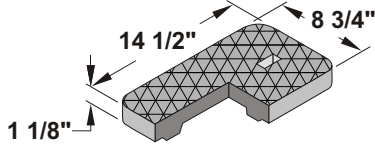
No. 66 MB - CONCRETE COVER

WT. 91 lbs.



No. 66 - ST LID (3-T)

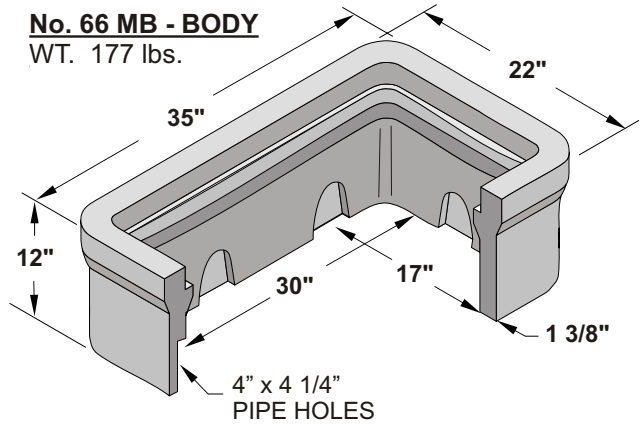
WT. 9 lbs.



WELDED WIRE

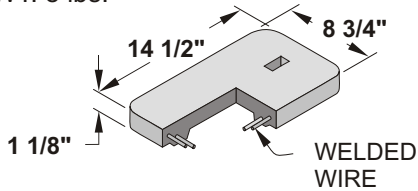
No. 66 MB - BODY

WT. 177 lbs.



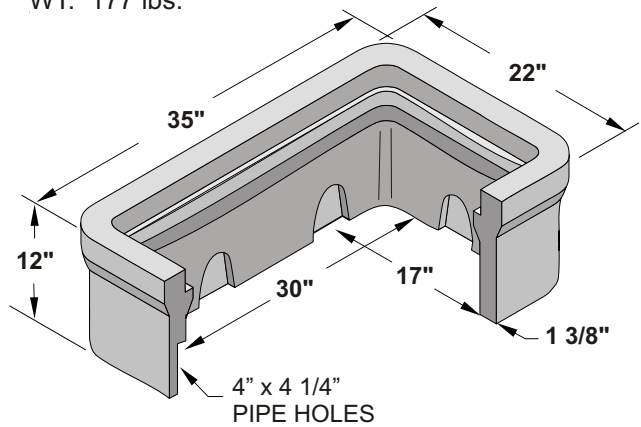
No. 66 - S LID (3-MB)

WT. 8 lbs.



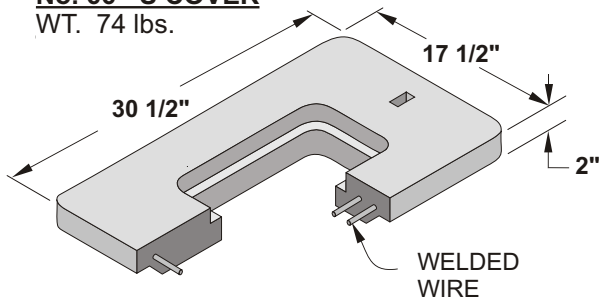
No. 66 MB - EXTENSION

WT. 177 lbs.



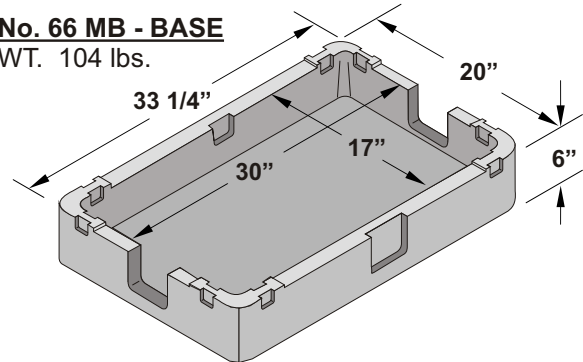
No. 66 - S COVER

WT. 74 lbs.



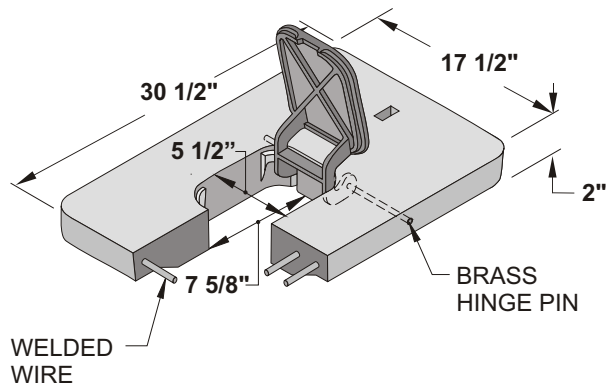
No. 66 MB - BASE

WT. 104 lbs.



No. 66 - H COVER WITH C.I. HINGED LID

WT. 85 lbs.



3 - 0 9

17" x 30" METER BOX
(for 2" & 3" WATER METER)



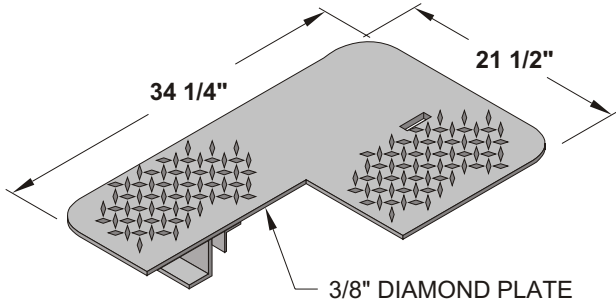
66MB

ORG. DWG. DATE
11-16-99

REV. DWG. DATE
12-06-00

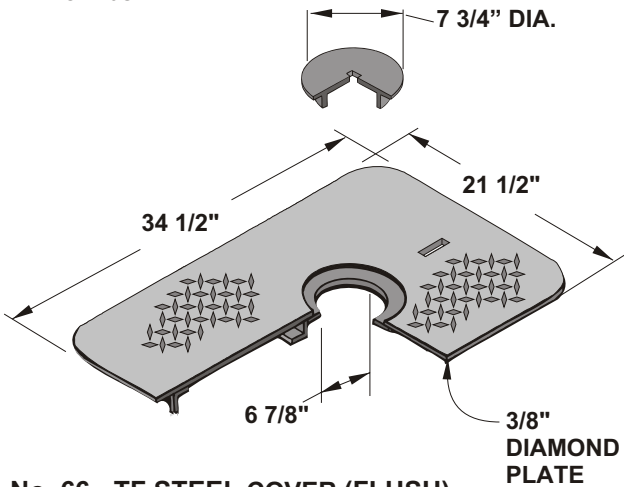
No. 66 - T STEEL COVER (SUPERIMPOSED)

WT. 80 lbs.



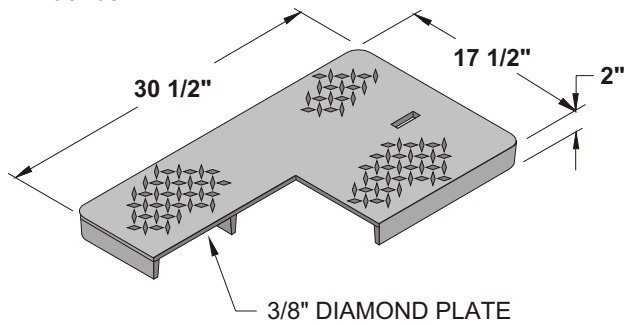
No. 66 - TR STEEL COVER (SUPERIMPOSED)

WT. 82 lbs.



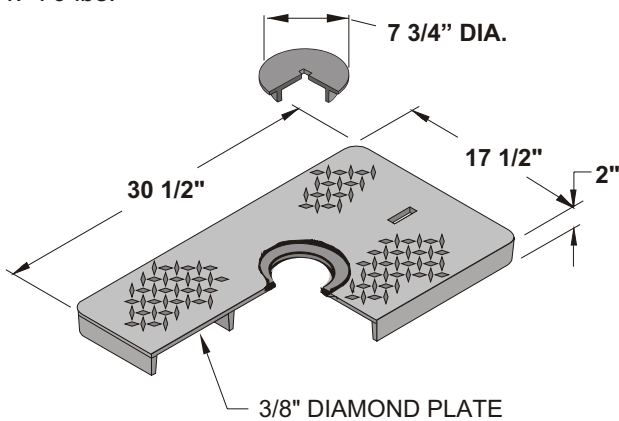
No. 66 - TF STEEL COVER (FLUSH)

WT. 68 lbs.



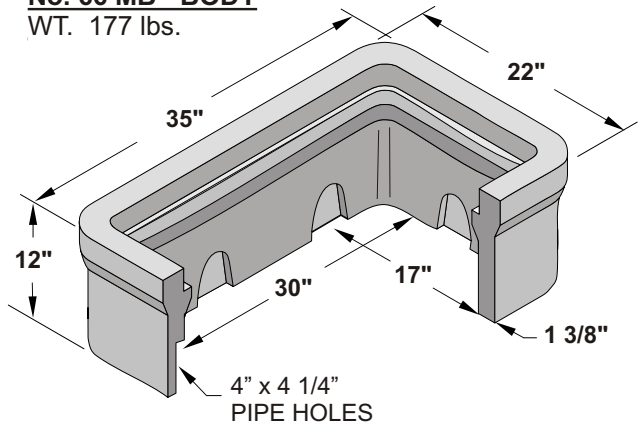
No. 66 - TFR STEEL COVER (FLUSH)

WT. 70 lbs.



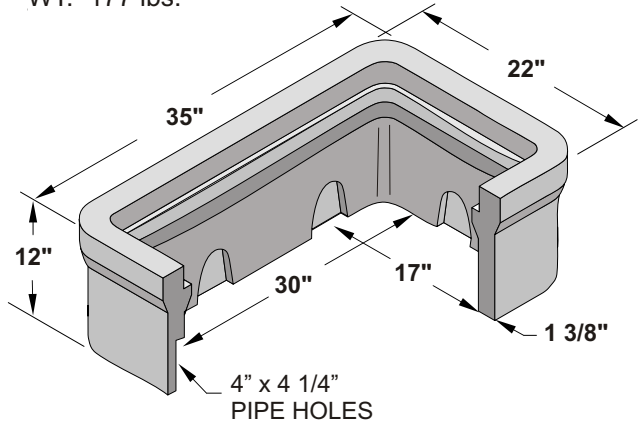
No. 66 MB - BODY

WT. 177 lbs.



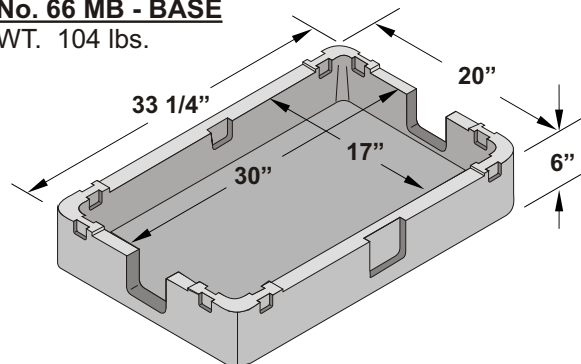
No. 66 MB - EXTENSION

WT. 177 lbs.



No. 66 MB - BASE

WT. 104 lbs.



3 - 0 9 B

17" x 30" METER BOX
(for 2" & 3" WATER METER)



66MB

ORG. DWG. DATE
11-16-99

REV. DWG. DATE
12-06-00