



# Garwind™ Comfort Height®

The Complete Solution® elongated toilet  
404715

## Features

- Two-piece toilet.
- Elongated bowl offers added room and comfort.
- Comfort Height® seating makes sitting down and standing up easier for most adults.
- 1.28 gallons per flush (gpf).
- Standard left-hand chrome trip lever included.
- 2" fully glazed trapway.
- Complete Solution® toilets provide everything you need in one box, including bowl, tank, seat, wax ring and floor hardware.
- Available exclusively at Lowe's.

## Technology

- Pro Force® Plus flushing technology delivers greater flushing power than previous Pro Force® models.

## Installation

- Standard 12" rough-in.
- Three-bolt quick-connect installation system.
- Supply line not included.

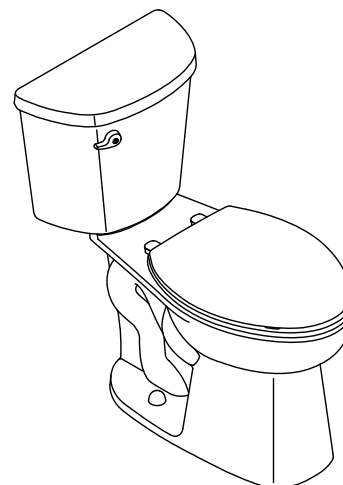
## Recommended Products/Accessories

- K-75796 Cachet® Nightlight Quiet-Close™ Elongated toilet seat
- K-5588 Purefresh® Elongated Toilet Seat
- K-5420 Low-Profile Bolt Caps
- K-23726 Drain treatment

## Included Components

Additional Components:

- Tank Cover, Trip lever, Toilet Seat, Tank Hardware accessory pack, Bolt caps, and Wax Ring



ADA CSA B651 OBC

## Codes/Standards

ASME A112.19.2/CSA B45.1  
DOE - Energy Policy Act 1992  
EPA WaterSense®  
California Energy Commission (CEC)  
ADA  
ICC/ANSI A117.1  
CSA B651  
OBC

## STERLING® Toilets and Toilet Seats Limited Warranty

See website for detailed warranty information.

## Available Colors/Finishes

*Color tiles intended for reference only.*

### Color Code Description

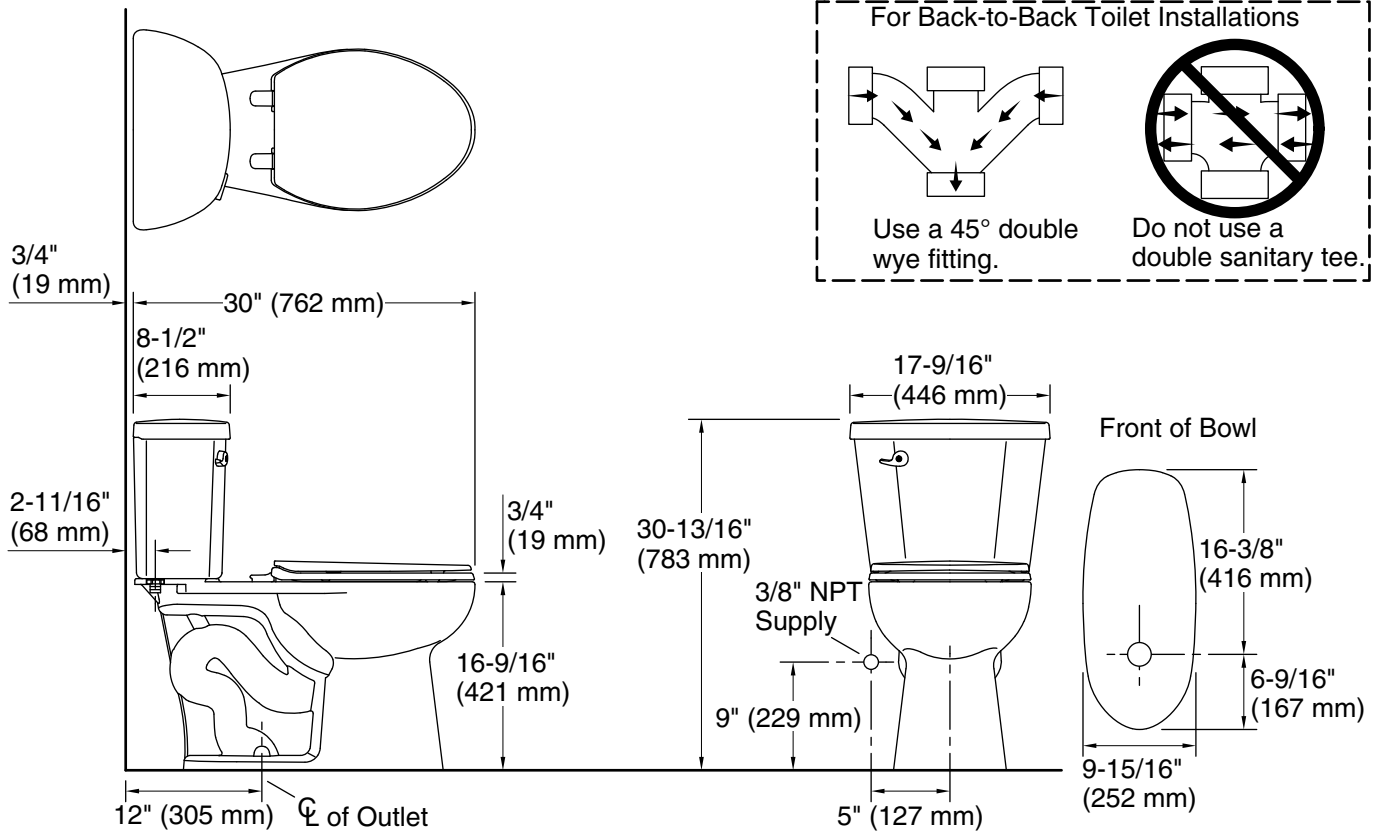
■ 0 White

1-800-STERLING (1-800-783-7546)

Kohler Co. reserves the right to make revisions without notice to product specifications.

For the most current Specification Sheet, go to [www.sterlingplumbing.com](http://www.sterlingplumbing.com).

5-10-2021 00:16 - US/CA



**Technical Information**

All product dimensions are nominal.

- Toilet type: Two-piece, Floor-mount
- Waste Outlet: Floor
- Bowl shape: Elongated
- Flush type: Gravity siphon jet
- Trap passageway: 2" (51 mm)
- Water Consumption
  - Full: 1.28 gpf (4.8 lpf)
- Rough-in: 12" (305 mm)

**Fixture Supply Requirements**

- Min static pressure: 15 psi (103.4 kPa)
- Max static pressure: 80 psi (551.6 kPa)

**Notes**

- Install this product according to the installation instructions.
- For back-to-back toilet installations: Use only a 45° double wye fitting.
- ADA, OBC, CSA B651 compliant when installed to the specific requirements of these regulations.
- Plumbing codes may require elongated toilets and elongated, open-front seats in public bathrooms.
- Accessibility standards may require controls to be located on the open side of the toilet.