

Specification Sheet

839.200.200 S SWEPT BRANCH 87.5°

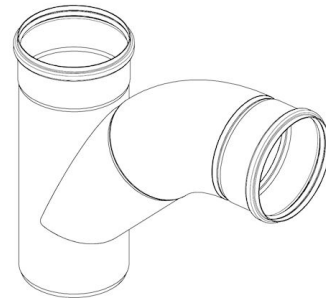
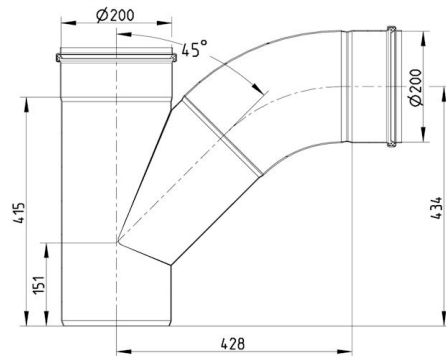
-Pipe diameter: Ø200mm. Branch diameter: Ø200mm
-Stainless steel: AISI316L/EN1.4404

Product Codes

EAN: 5705499412611
NRF Number: 2172644
LVI Number: 0255246

Specification

All HygienicPro Products: No
Angle (°): 87.5
BimUrl_revit: <https://www.bimstore.co/products/europipe-complete-system>
Brand: BLÜCHER
Description (Marketing): SWEPT BRANCH 87.5°
-Pipe diameter: Ø200mm. Branch diameter: Ø200mm
-Stainless steel: AISI316L/EN1.4404
EAN: 5705499412611
Length (mm): 415
LVI Number: 0255246
Material: AISI 316L
Material (EN): EN 1.4404
Model Number: SWEPT BRANCH 87.5° - (839.200.200 S)
NRF Number: 2172644
Outlet dia. (Inch): 8
Outlet Diameter (mm): 200
Search category: Pipes and fittings
Series: Swept branch-87.5-long bend
Type: Branches
Weight (kg): 6,13
Weight (lbs): 13,51



Approvals



AUS - HACCP Region 1



DK - VA 2.12/19349 EuroPipe DS432



DK - VA 2.12/19350-22



EU - HACCP Region 4



NO - 0692-22



US - IAPMO File No.3247-19

ABS - LD1716353-PDA

BLÜCHER®

Specification Sheet

Approvals

Achilles Certificate - 46702-22

KR - Type Approval CPH42135-PE001

Lloyds Register LR22419510TA

PL - Hygienic Certificate - All Products

RINA -MAC285119XG EuroPipe

RU - 0212322 Pipes-21

