

# Specification Sheet

## 839.110.160 AS SWEPT BRANCH 89°

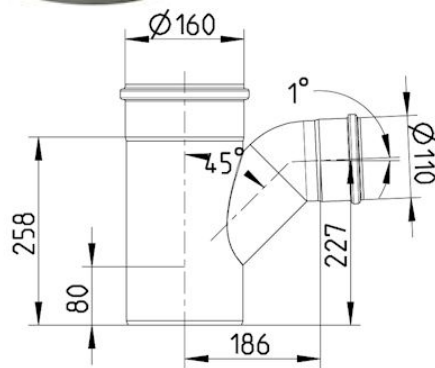
-Pipe diameter: Ø160mm. Branch diameter: Ø110mm  
-Stainless steel: AISI316L/EN1.4404

### Product Codes

EAN: 5705499409437  
NRF Number: 2172642

### Specification

All HygienicPro Products: No  
Angle (°): 89  
BimUrl\_revit: <https://www.bimstore.co/products/europipe-complete-system>  
Brand: BLÜCHER  
Description (Marketing): SWEPT BRANCH 89°  
-Pipe diameter: Ø160mm. Branch diameter: Ø110mm  
-Stainless steel: AISI316L/EN1.4404  
EAN: 5705499409437  
Length (mm): 258  
Material: AISI 316L  
Material (EN): EN 1.4404  
Model Number: SWEPT BRANCH 89° - (839.110.160 AS)  
NRF Number: 2172642  
Outlet dia. (Inch): 6  
Outlet Diameter (mm): 160  
Search category: Pipes and fittings  
Series: Swept branch-89-long bend  
Type: Branches  
Weight (kg): 2,53  
Weight (lbs): 5,58



### Approvals



AUS - HACCP Region 1



DK - VA 2.12/19349 EuroPipe DS432



DK - VA 2.12/19350-22



EU - HACCP Region 4



NO - 0692-22



US - IAPMO File No.3247-19

Achilles Certificate - 46702-22

KR - Type Approval CPH42135-PE001

PL - Hygienic Certificate - All Products

# BLÜCHER®

A WATTS Brand

© 2024 BLÜCHER

# Specification Sheet

## Approvals

RU - 0212322 Pipes-21

UR - 1055745

