

Specification Sheet

525.090.075 S P-TRAP 87.5°

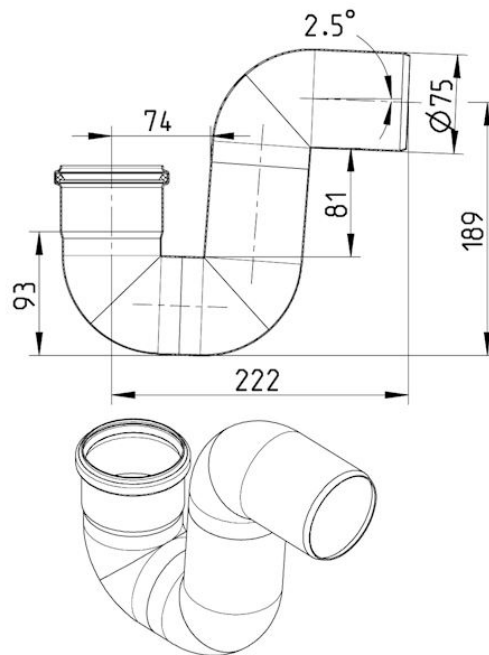
- Diameter: Ø75mm
- Water seal height = 81mm
- Stainless steel: AISI316L/EN1.4404

Product Codes

EAN: 5705499101478
VVS Number: 160381375
RSK Number: 1550346
NRF Number: 3395042
LVI Number: 3304020

Specification

All HygienicPro Products: No
Angle (°): 87.5
BimUrl_revit: <https://www.bimstore.co/products/europipe-complete-system>
Brand: BLÜCHER
Description (Marketing): P-TRAP 87.5°
-Diameter: Ø75mm
-Water seal height = 81mm
-Stainless steel: AISI316L/EN1.4404
EAN: 5705499101478
Field of Application: Domestic|Industrial
Length (mm): 93
LVI Number: 3304020
Material: AISI 316L
Material (EN): EN 1.4404
Max Flow (l/s): 3.7
Minimum Flow (l/s): 2.5
Model Number: P-TRAP 87.5° - (525.090.075 S)
NRF Number: 3395042
Outlet dia. (Inch): 3
Outlet Diameter (mm): 75
RSK Number: 1550346
Search category: Floor drains/Marine drains/Pipes and fittings
Series: Water trap-p
Type: Traps
VVS Number: 160381375
Water Seal Height (mm): 81
Weight (kg): 0,84
Weight (lbs): 1,85



Approvals



AUS - HACCP Region 1



AUS - WMKT00204 - 22C

BLÜCHER®

Specification Sheet

Approvals



DK - VA 2.41/19631-22



EU - HACCP Region 4



NO - 0692-22



US - IAPMO File No.3247-19

C[®]

ABS - LD1716353-PDA

Bureau Veritas - 03456-H0

Bureau Veritas, 02375-I0

DNV - TAP0000023-rev3

KR - Type Approval CPH42135-PE001

Lloyds Register LR22419510TA

MARINE - R4547 NATO CODIFICATION SYSTEM

PL - Hygienic Certificate - All Products

RS - 22.10017.262

BLÜCHER[®]