

Specification Sheet

839.075.110 AS SWEPT BRANCH 89°

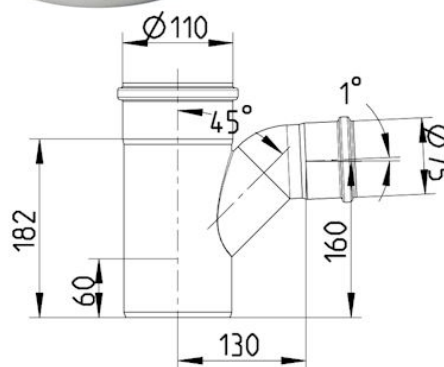
-Pipe diameter: Ø110mm. Branch diameter: Ø75mm
-Stainless steel: AISI316L/EN1.4404

Product Codes

EAN: 5705499409413
NRF Number: 2172639

Specification

All HygienicPro Products: No
Angle (°): 89
BimUrl_revit: <https://www.bimstore.co/products/europipe-complete-system>
Brand: BLÜCHER
Description (Marketing): SWEPT BRANCH 89°
-Pipe diameter: Ø110mm. Branch diameter: Ø75mm
-Stainless steel: AISI316L/EN1.4404
EAN: 5705499409413
Length (mm): 183
Material: AISI 316L
Material (EN): EN 1.4404
Model Number: SWEPT BRANCH 89° - (839.075.110 AS)
NRF Number: 2172639
Outlet dia. (Inch): 4
Outlet Diameter (mm): 110
Search category: Pipes and fittings
Series: Swept branch-89-long bend
Type: Branches
Weight (kg): 1,11
Weight (lbs): 2,45



Approvals



AUS - HACCP Region 1



DK - VA 2.12/19349 EuroPipe DS432



EU - HACCP Region 4



NO - 0692-22



US - IAPMO File No.3247-19

Achilles Certificate - 46702-22
KR - Type Approval CPH42135-PE001
PL - Hygienic Certificate - All Products
RU - 0212322 Pipes-21
UR - 1055745

BLÜCHER®