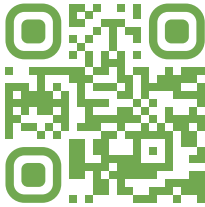





SYMMONS® MaxLine®



8210CK Thermostatic Mixing Valve Specification Submittal

Model Numbers	Feature Highlights
<input type="checkbox"/> 8210CK Thermostatic Mixing Valve	<ul style="list-style-type: none"> • 3/8" compression connections • Integral checks • Stainless steel strainers for protection against suspended particles in supply lines • Thermal cartridge • Vandal resistant • Minimum flow rate 0.25 gpm (0.95L/min) <p>Inlet water temperature: HOT inlet range 120°F - 180°F (48.9°C - 82.2°C) COLD inlet range 39°F - 80°F (3.9°C - 26.7°C)</p> <p>Temperature control range: 59°F - 115°F (15°C - 46°C)</p> <p>Minimum supply pressure: 20 psi (138 kPa) Maximum supply pressure: 125 psi (862 kPa) Inlet to outlet temperature differential: 10°F (5.55°C)</p> <p>*According to US Senate bill S.3874, the term "lead free" is defined as follows: "not more than a weighted average of 0.25 percent lead when used with respect to the wetted surfaces of pipes, pipe fittings, plumbing fittings, and fixtures."</p>
Options/Modifications	
<input type="checkbox"/> B Wall cabinet in white enamel finish including wall mounting bracket <input type="checkbox"/> D 3/8" compression fitting to allow water bypass for hot and cold supply faucet <input type="checkbox"/> NI Rough Nickel finish <input type="checkbox"/> T Stainless steel cabinet in place of standard white cabinet	
<p>Note: Append appropriate suffix to model number.</p>	Compliance
<p>Warranty</p> <p>Limited Lifetime - to the original end purchaser in consumer/residential installations. 10 Years - for commercial/industrial installations. Refer to www.symmons.com/warranty for complete warranty information.</p> 	<ul style="list-style-type: none"> -ASME A112.18.1/CSA B125.1 -ASSE 1017/CSA B125.3 -ASSE 1070/CSA B125.3 -NSF/ANSI 372 -NSF/ANSI/CAN 61: Q<1 -CSA B125.3 

Architectural/Engineering Specification

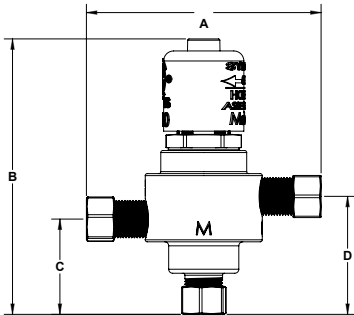
Symmons MaxLine _____ TMV, 2.06GPM@10PSI, minimum thermostatically controlled flow rate 0.25GPM. Solid brass body, integral spring checks, stainless steel debris strainer, 3/8" compression ports. Temperature control range of 59F-115F degrees. Vandal-resistant cap. Mounting bracket included. 10-Year Commercial Warranty. 1070/1017 and A112.18.1 certified. Available options: "B - Wall cabinet white", "D - Cold water bypass", "NI - Rough Nickel Finish" and "T - Stainless Steel cabinet."

Flowrates

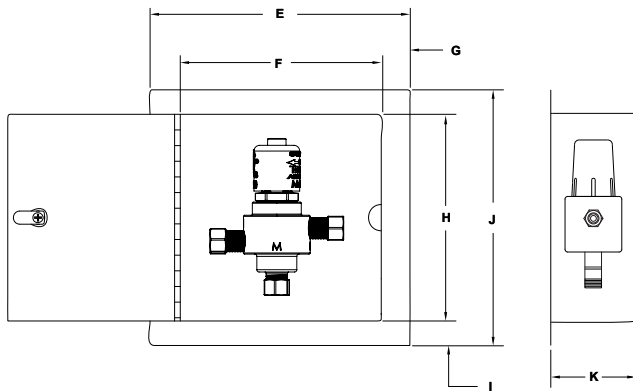
Table 1: Flow Rate - gpm (L/min)

Valve Model	Size Connection	Min. Flow Rate	Pressure Differential - psi (kPa)					
			5 psi (34 kPa)	10 psi (69 kPa)	20 psi (138 kPa)	25 psi (172 kPa)	30 psi (207 kPa)	45 psi (310 kPa)
8210CK	3/8" (10 mm)	0.25 gpm (0.95 L/min)	1.32 gpm (5.0 L/min)	2.06 gpm (7.8 L/min)	2.74 gpm (10.4 L/min)	3.11 gpm (11.8 L/min)	3.38 gpm (12.8 L/min)	4.22 gpm (16.0 L/min)

Dimensions



Wall cabinet (optional)

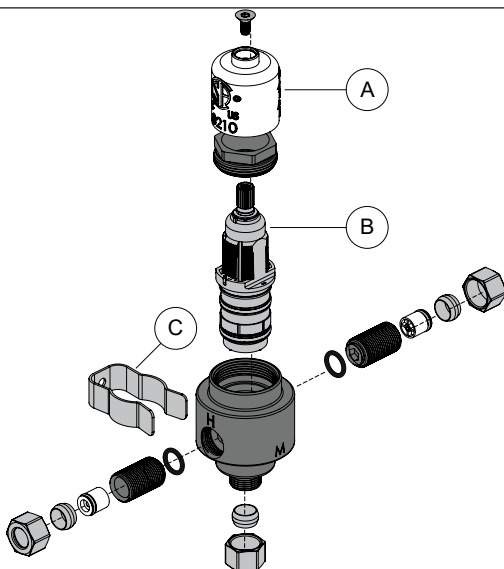


Measurements 8210CK

A	3-1/2", 89 mm
B	4-1/8", 104 mm
C	1-7/16", 37 mm
D	1-3/4", 45 mm
E	12-1/4", 311 mm
F	10", 254 mm
G	1-1/8", 29 mm
H	10", 254 mm
I	1-1/8", 29 mm
J	12-1/4", 311 mm
K	4", 102 mm

Note: Dimensions are subject to change without notice.

Parts Breakdown



Replacement Parts 8210CK*****

Item	Description	Part No.
A	Safety cap	TMX302
B	Cartridge	TMX303
C	Wall Mount Hanger Bracket	TMX304