



# SERVICE PARTS LIST

**BULLETIN NO.**  
**54-49-0015**

SPECIFY CATALOG NO. AND SERIAL NO. WHEN ORDERING PARTS		REVISED BULLETIN	DATE
12" MEASURING WHEEL			Feb. 2017
CATALOG NO. 48-22-5012			

**44-20-5012 LOCK TAB SERVICE KIT**

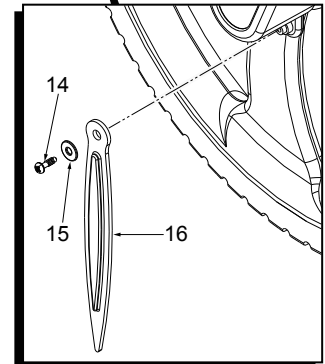
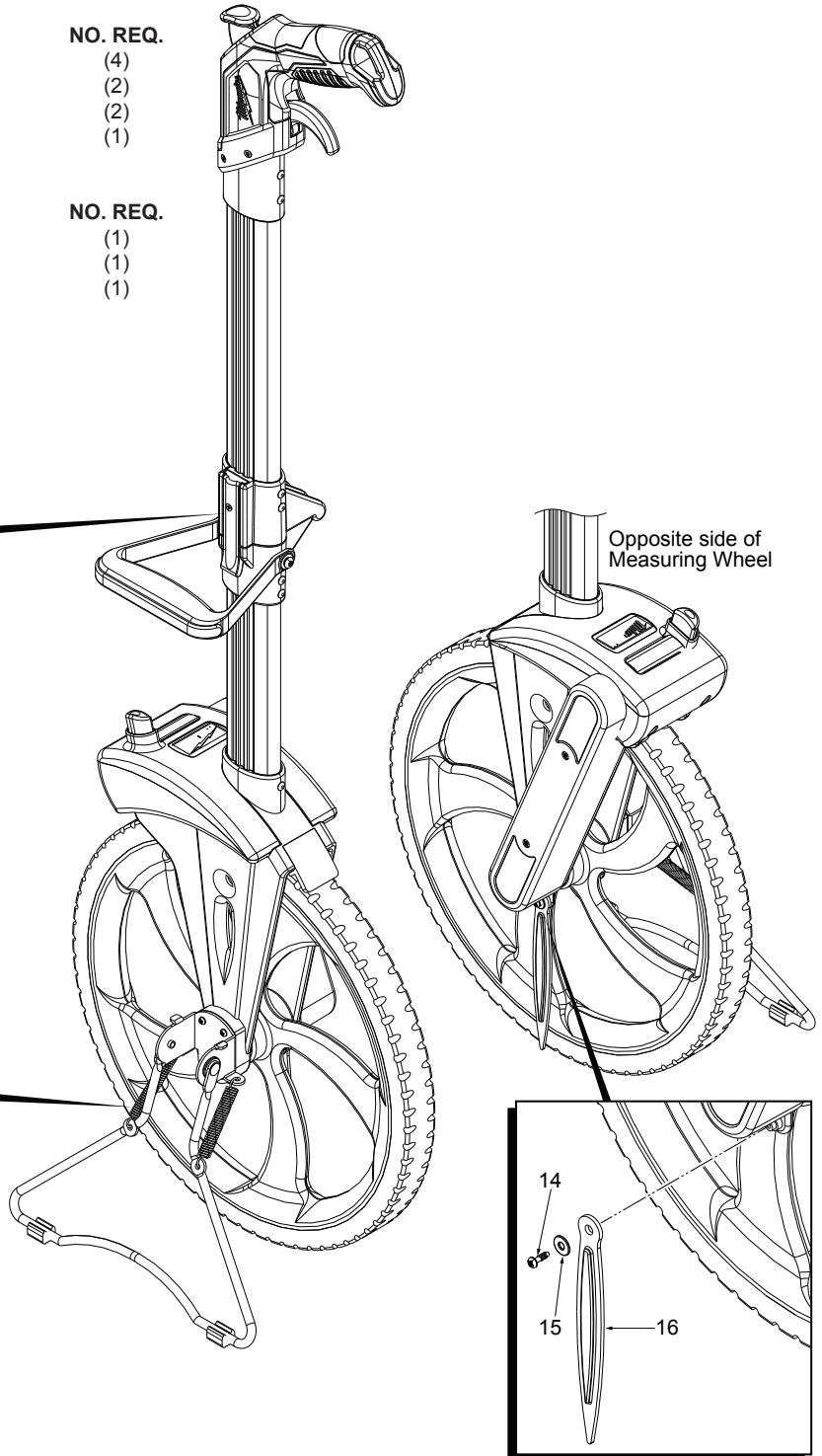
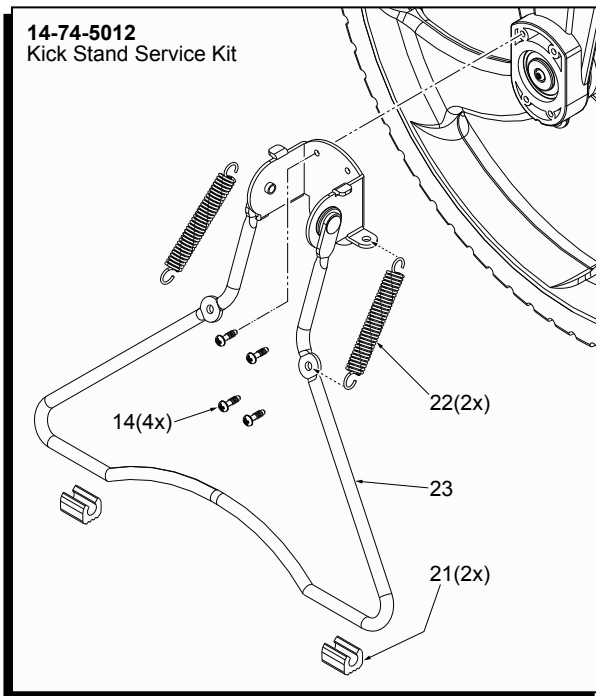
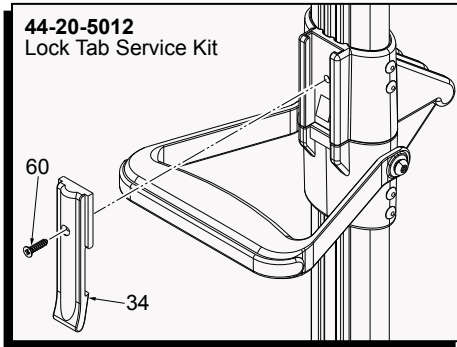
FIG.	PART NO.	DESCRIPTION OF PART	NO. REQ.
34	-----	Lock Tab	(1)
60	-----	KA3 x 13mm Flat Hd. Phillips Screw	(1)

**14-74-5012 KICK STAND SERVICE KIT**

FIG.	PART NO.	DESCRIPTION OF PART	NO. REQ.
14	-----	PA3 x 10mm Pan Hd. Phillips Screw	(4)
21	-----	Rubber Pad	(2)
22	-----	Spring	(2)
23	-----	Kick Stand Assembly	(1)

**43-82-5012 ZERO INDICATOR SERVICE KIT**

FIG.	PART NO.	DESCRIPTION OF PART	NO. REQ.
14	-----	PA3 x 10mm Pan Hd. Phillips Screw	(1)
15	-----	Washer	(1)
16	-----	Needle	(1)



**43-82-5012**  
Zero Indicator Service Kit