

Specification Sheet
Model: AIMG151PSSI
ICE MAKER



15-Inch Indoor Gourmet Ice Maker with Built-In Drain Pump, Stainless Steel Door

Features

- 56 lbs total daily ice production capacity (50° water/70° air temperature)
- Clear, gourmet-style ice cubes, perfect for a variety of beverages
- 26-lbs bin storage capacity
- Wash mode for easy maintenance
- Ice scoop and 5/8" I.D. drain hose included
- Factory-installed drain pump
- ETL listed to the NSF-12 sanitation standard

Warranty


- One (1) year parts and labor
- Five (5) years sealed system parts
- See complete warranty for details



Model Details

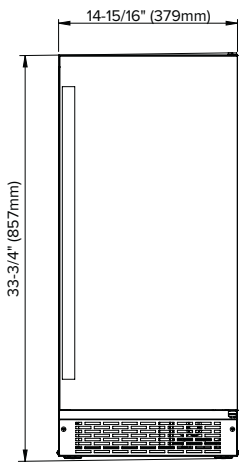
Model	Voltage	Door Swing	Finish
AIMG151PSSILH	115V	Left Hinge	Stainless Steel
AIMG151PSSIRH	115V	Right Hinge	Stainless Steel

Ice Cube Details

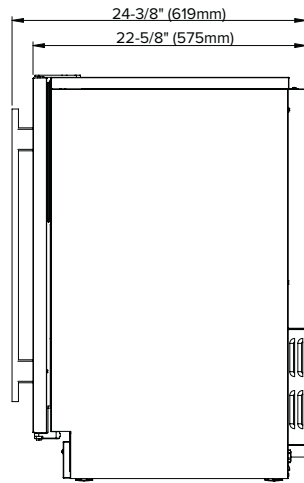
Cube Type	Ice Cube Dimensions	Ice Shape
Gourmet	1-1/4" W x 1-3/8" L x 1-3/8" H	



Front



Side



Installation Notes

- Dimensions in parentheses are in millimeters
- Note: It is strongly advised to always use a water filter with your ice maker

Specifications

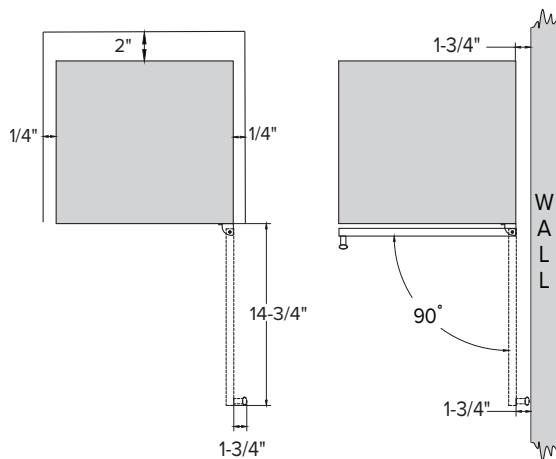
Model#	AIMG151PSSI
Daily Production Capacity (lbs/24hr)	56*
Storage Capacity (lbs)	26
Cube Type	Gourmet
Product Depth	22-5/8"
Depth with Handle	24-3/8"
Product Height	33-3/4"
Product Width	14-15/16"
Net Weight (lbs)	104
Water Inlet Size	1/4"
Drain Inlet Size	5/8"
Refrigerant	R134a
Cord Length (in.)	92
Amperage	4
Electric Supply	115V, 60 Hz

*50° water/70° air temp under electric supply
 (70° water/90° air temp = 46 lbs/day ice production)

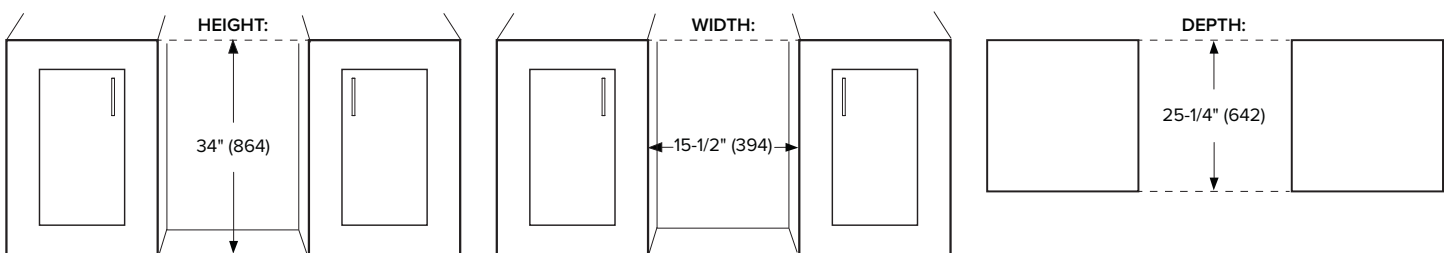


NEMA 5-15P

Top



Cutout Dimensions



Specifications are subject to change without notice.
 Visit Avallon.com for the latest information.