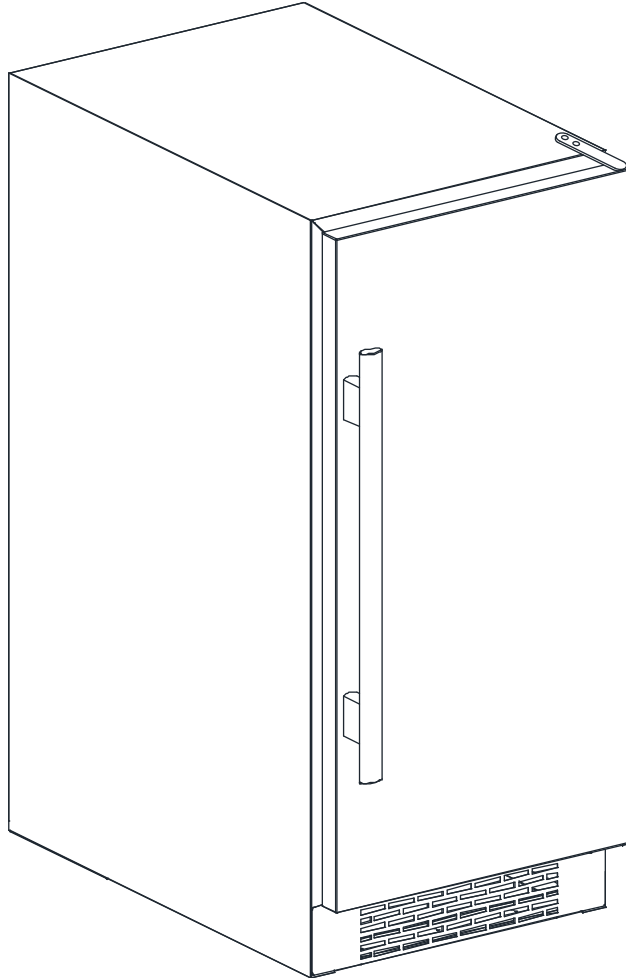

Avallon[®]



Owner's Manual

Gourmet Ice Maker

Models: AIMG151GPRI, AIMG151PPRI,
AIMG151GSSI, AIMG151PSSI,
AIMG151PSSO

THIS PAGE INTENTIONALLY LEFT BLANK

Important Safety Information

Improper handling can cause serious damage to the Avallon ice maker and / or injury to the user. With the exception of models AIMG151PSSORH and AIMG151PSSOLH, this ice maker series is designed for domestic indoor use only. Models AIMG151PSSORH and AIMG151PSSOLH are designed for indoor or outdoor use. **Do not use the unit for industrial or commercial use.** Any other use may invalidate the warranty. Please review the rating label located inside of the unit for electrical and other technical data related to this unit. The unit must be used with a properly grounded wall outlet.

Please read and follow the safety information listed below to reduce the risk of fire, electric shock, or injury. Installation should only be done by a licensed plumber.



Electrical Safety

- Do not exceed the power outlet ratings.
- It is recommended the ice maker be connected on its own circuit.
- The unit must be installed in accordance with state and local electrical codes.
- A standard electrical supply (115 V, 60Hz), that is properly grounded in accordance with the National Electrical Code and local codes and ordinances is required.
- Use outlets that cannot be turned off by a switch or pull chain.
- Always turn the unit off and unplug it from the outlet when cleaning.
- Unplug the unit if it is not going to be used for an extended period of time.
- Do not operate the unit with a power plug missing the ground plug, a damaged cord, or a loose socket.
- Be sure the ice maker is properly grounded.
- Never plug or unplug the unit with wet hands.
- Do not bypass, cut, or remove the grounding plug.
- Do not use extension cords or power strips with this unit. You may need to contact your electrician if it is necessary to use a longer cord or if you do not have a grounded outlet. Do not modify the power cord's length or share the outlet with other appliances.
- Do not start or stop the unit by switching the circuit's power on and off.
- If the power cord is damaged, it must be replaced by the manufacturer or a qualified technician.
- Never repair the unit while it is plugged in.
- Immediately unplug the unit if it makes strange sounds, emits smells, or smoke comes out of it, and contact customer service.
- Do not remove any part of the casing unless you are instructed to do so by an authorized technician.
- You should never attempt to repair the unit yourself.
- Contact customer service for service options if the unit needs service.



Warning: Installation should only be done by a licensed plumber.

Important Safety Information



General Safety

- To prevent injuries, use at least two people to move and install the ice maker.
- This appliance is not intended for use by persons, including children, with reduced physical, sensory or mental capabilities, unless they have been given supervision or instruction concerning the use of the appliance by the person(s) responsible for their safety.
- Install the ice maker in a well-ventilated area where the ambient temperature is above 50°F and below 100°F.
- This series is designed to be installed indoors, except for models AIMG151PSSORH and AIMG151PSSOLH, which can be installed indoors or outdoors. In all cases, the ice maker should be protected from rain, sleet, snow, and / or moisture.
- This unit is not intended to be used by children.
- Children should be supervised to ensure that they do not play with this product.
- Never allow children to crawl inside the ice maker. If you are disposing of the unit, remove the door.
- Do not use this appliance near flammable gas or combustibles such as gasoline, benzene, or thinner.
- Do not store explosive substances such as aerosol cans with a flammable propellant in this appliance.
- Do not place the unit near heat sources such as ovens, grills, or direct sunlight.
- Only use in an upright position on a flat, level surface and provide proper ventilation.
- Do not pinch or kink the water or power supply lines between the unit and cabinet.
- Do not leave any cleaning solutions in the unit.
- Do not use solvent-based cleaning agents or abrasive solutions to clean the unit as they may damage the interior and exterior.
- Do not place any other appliances on top of the unit.
- Do not turn the unit upside down, on its side, or at an angle off level.
- Do not move the unit without emptying the contents and securing the door in a closed position.
- This appliance is meant for use in the household or similar settings.
- Keep all ventilation openings clear of obstruction.
- Do not damage the refrigerant circuit.
- If the supply cord is damaged, it must be replaced by the manufacturer, its service agent, or a similarly qualified individual.
- Check for leaks after installation.
- Discard the first batch of ice cubes produced by the ice maker.
- Never turn the water supply tap off while the ice maker is running.
- Do not pinch or kink the water supply lines and pipes.



Warning: Risk of child entrapment. Before you throw away any old appliance, remove the door(s) so that children cannot be trapped inside.

Table of Contents

Important Safety Information.....	3
First-Time Operating Instructions.....	6
Introduction.....	6
Parts Identification	7
Installation.....	9
Unpacking the Ice Maker.....	9
Types of Installation.....	9
Clearance Requirements	10
Electrical Requirements.....	11
Recommended Grounding Method.....	11
Leveling the Ice Maker	12
Installing the Door Handle	12
Connecting the Water Supply and Drain Lines	13
Operation	14
Installation Checklist before Operation	14
Initial Operation.....	14
Ongoing Operation	14
Normal Sounds	15
Preparing the Ice Maker for Storage	15
Cleaning and Maintenance.....	16
Troubleshooting	23
Specifications.....	25
Product Warranty.....	26

First-Time Operating Instructions

Before use, make sure all packaging labels and materials are removed from the unit. Be sure to keep track of all included parts and pieces before discarding the packaging materials. It is advised that you keep the original box and packaging materials in case you ever need to move or ship the appliance in the future.

Let the unit stand for at least 24 hours before you use it; this allows the cooling components time to settle from transit. The instruction manual should be read before use.

Introduction

Thank you for purchasing this Avallon ice maker. We hope that this purchase will be the beginning of a lasting and rewarding relationship between you and Avallon. We will provide the customer support and exemplary products necessary to nurture that relationship.

This manual contains important information regarding the proper installation, use, and maintenance of your ice maker. Following this manual will ensure that your product will work at its peak performance and efficiency.

Please save the original product packaging in case you need to safely transport your ice maker.

For Your Records:

Please write down the model number and serial number below for future reference. Both numbers are located on the ratings label on the inside and back of your unit and are needed to obtain warranty service. You may also want to staple your receipt to this manual as it is the proof of your purchase, and is also needed for service under your warranty.

Model Number: _____

Serial Number: _____

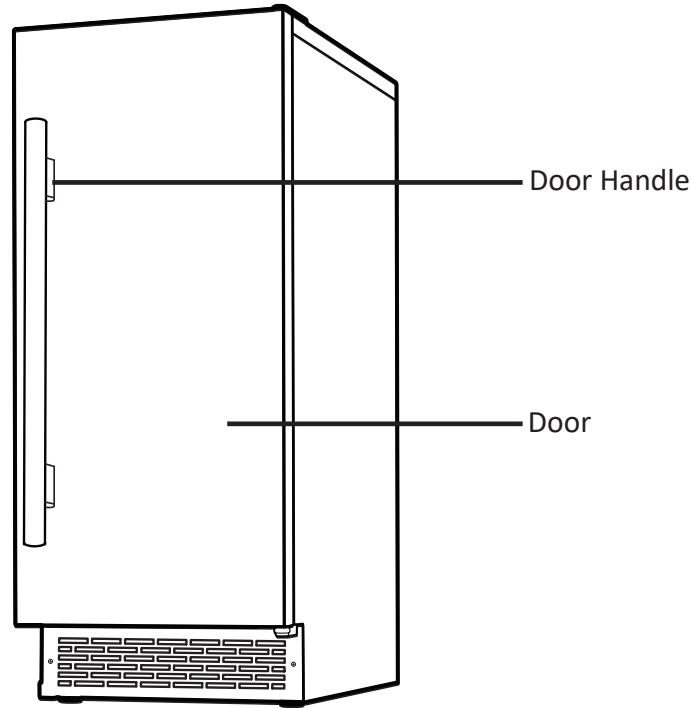
Date of Purchase: _____

For a more efficient experience, please do the following before contacting customer service:

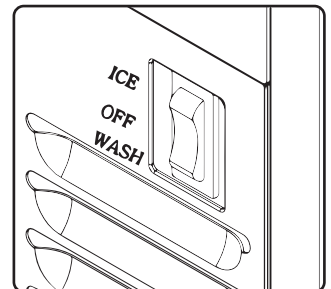
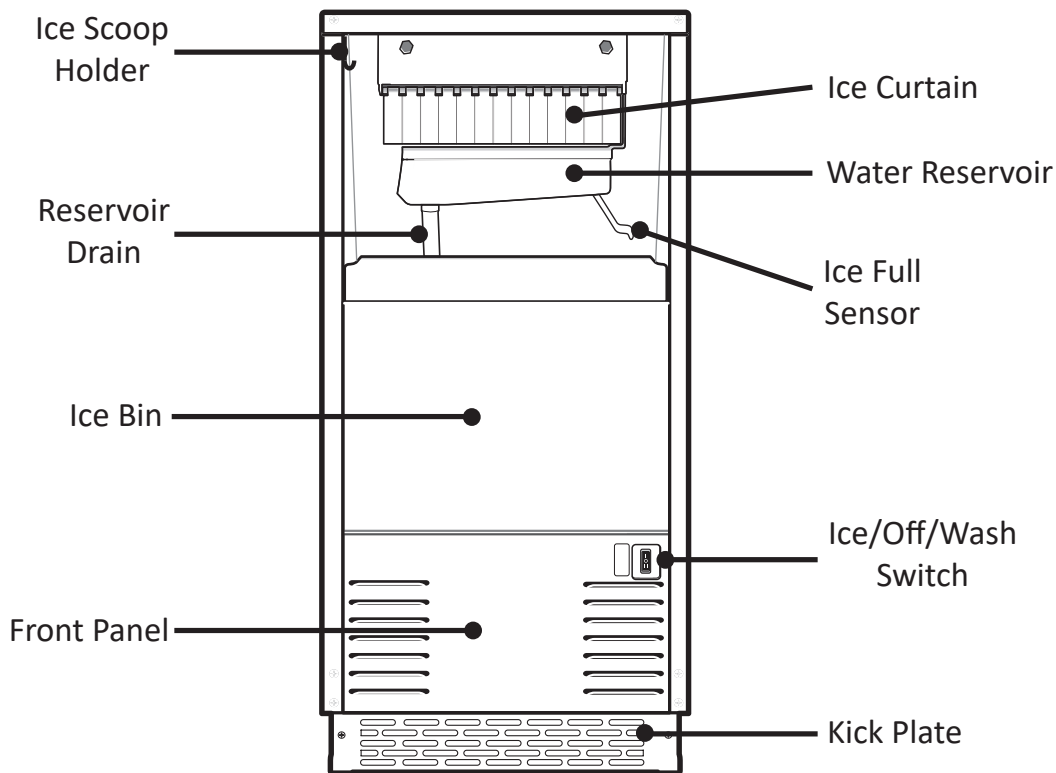
- If you received a damaged product, immediately contact the retailer or dealer that sold you the product.
- Read and follow this instruction manual carefully to help you install, use, and maintain your ice maker.
- Read the troubleshooting section of this manual as it will help you diagnose and solve common issues.
- Visit us on the web at www.avallon.com to download product guides and access additional troubleshooting resources and up-to-date information.
- If you need warranty service, customer service representatives are available via email at service@avallon.com.

Parts Identification

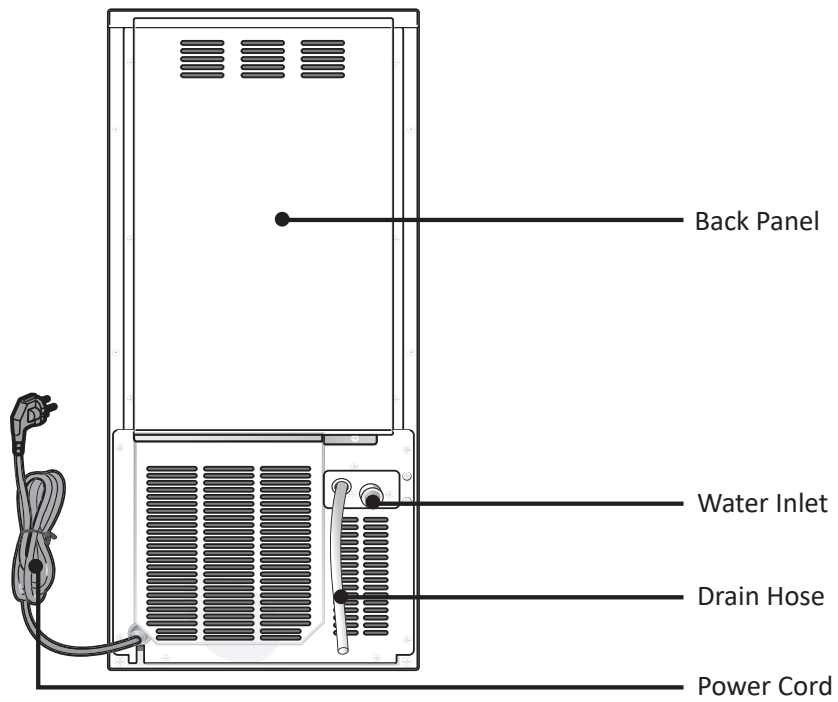
Closed View:



Open View:



Back View:



Note: Drawings are for illustration purposes. Your unit may differ slightly.

Installation

The ice maker should be installed by a licensed plumber in accordance with local electrical and plumbing code requirements. The ice maker should also be placed in a location that is strong enough to support its total weight. **Before you plug the ice maker into a power supply, be sure to let it stand upright for at least 24 hours to allow the compressor's oils to settle.**

Unpacking the Ice Maker



Warning: Use two or more people to move and install the ice maker. Failure to do so can result in back or other injury. Carefully remove the packaging materials. Remove any shipping tape and glue from your ice maker before use. Do not use sharp instruments, rubbing alcohol, flammable fluids, or abrasive cleaners to remove tape or glue. These products can damage the surface of your ice maker.



Warning: Do not remove any safety, warning, or product information labels from your ice maker.

Types of Installation

This ice maker has been designed for freestanding or built-in installation. In each case, there must be adequate ventilation and access for service. Install the unit in a location where the ambient temperature is above 50°F and below 100°F.

Freestanding Installation:

A freestanding installation will allow you to install the ice maker in almost any place you desire. You must follow the stated instructions for electrical requirements and leveling the ice maker.

Built-in Installation:

A built-in installation will allow you to install the ice maker under a counter as long as the required clearance space around the ice maker is provided. It is necessary to allow adequate ventilation space around the unit, including at the back of the unit.

The following additional items must be observed:

1. Place the ice maker in front of the installation location. Adjust the feet and level the unit so it sits properly on the floor or on a platform depending on your installation requirements.
2. The water supply line must be plumbed before connecting it to the ice maker. Install the drain line into your drain.
3. Turn on the main water supply and tap. Check for water leaks at all connections.
4. If the electrical outlet for the ice maker is behind the cabinet, plug in the ice maker.
5. Push the ice maker into position.



Warning: DO NOT install the ice maker behind a closed cabinet door.

Clearance Requirements

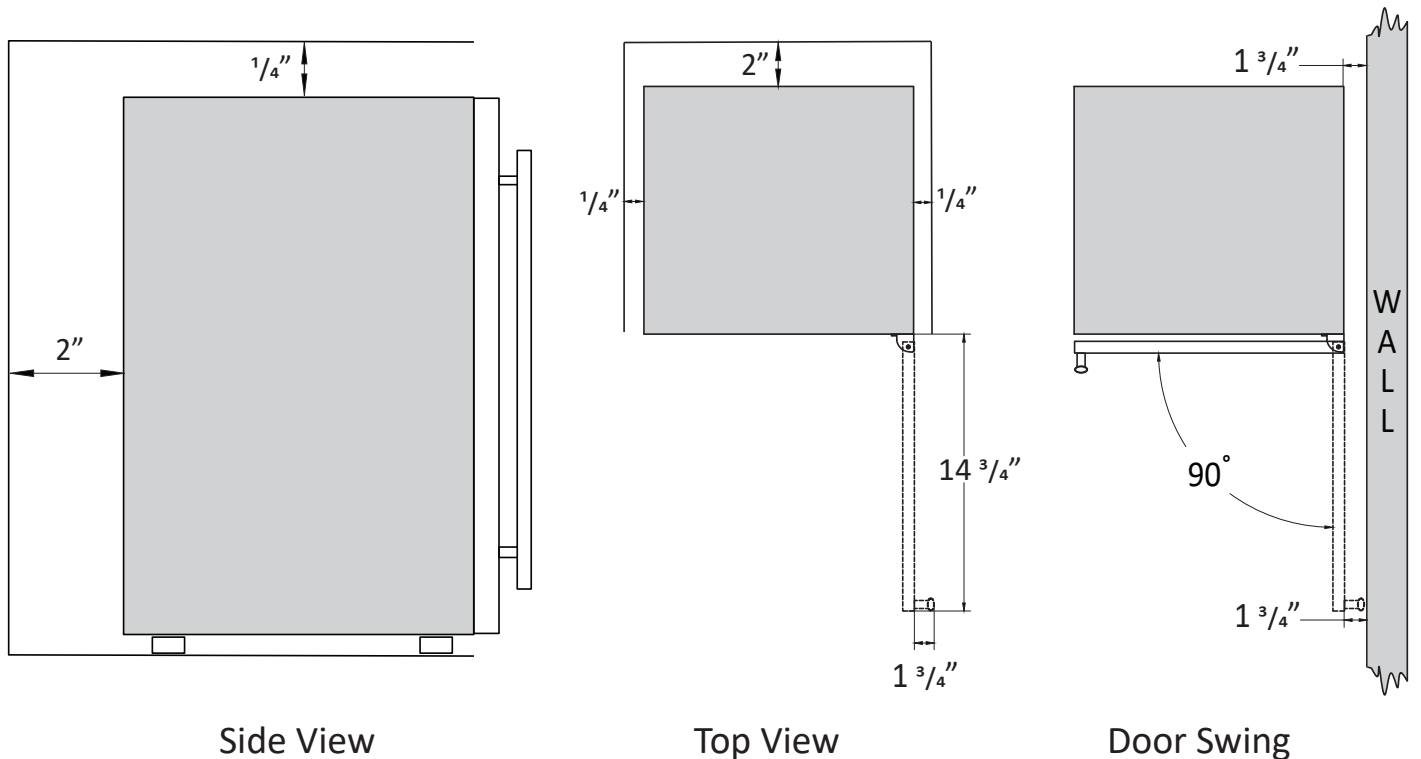
Notes:



- To ensure proper service access and ventilation, at least 2 inches of clearance at the back as shown in the diagram.
- The installation should allow the unit to be pulled forward for servicing, if necessary.
- A standard electrical supply (115 VAC only, 60 Hz), properly grounded in accordance with National Electrical Code and local codes and ordinances, is required.

When installing the ice maker under a counter, follow the recommended spacing dimensions shown.

To ensure proper service access and ventilation, allow at least 2" of clearance at the back, 1/4" at the top, and 1/4" at the sides. The installation should allow the unit to be pulled forward for servicing, if necessary.



Side View

Top View

Door Swing



Note: The ice maker should be installed on a firm and level surface that will be able to support the entire weight of the unit. It is important for the ice maker to be level in order to work properly. If needed, you can adjust the height of the ice maker by rotating the feet. See the "Leveling the Ice Maker" section.



Note: A standard electrical supply (115 VAC only, 60 Hz), properly grounded in accordance with National Electrical Code and local codes and ordinances, is required.

Electrical Requirements

ELECTRIC SHOCK HAZARD!



- Plug into a grounded 3-prong outlet.
- Never remove the grounding prong from the plug.
- Never use an adapter to bypass the grounding prong.
- DO NOT use an extension cord.
- Failure to follow these instructions can result in fire, electrical shock, or death.

Before you move your ice maker into its final location, it is important to make sure you have the proper electrical connection:

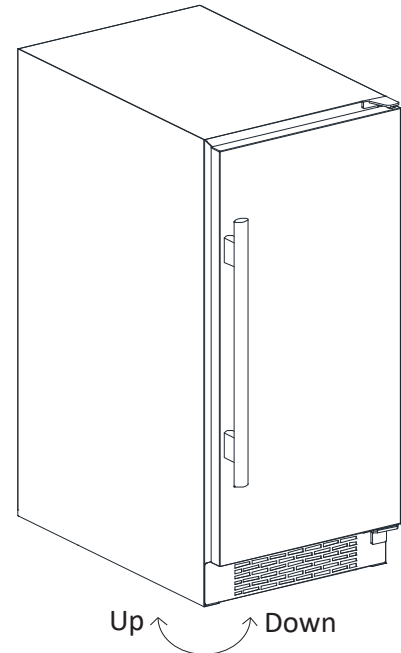
- A standard electrical supply (115 V, 60Hz), properly grounded in accordance with the National Electrical Code and local codes and ordinances, is required.
- It is recommended that a separate circuit, serving only your ice maker, be provided. Use receptacles that cannot be turned off by a switch or pull chain.
- The fuse (or circuit breaker) size should be 15 Amps.

Recommended Grounding Method

For your personal safety, this appliance must be grounded. It is equipped with a power supply cord that has a 3-pronged grounding plug. To minimize possible shock hazard, the cord must be plugged into a mating 3-pronged wall socket, and grounded in accordance with the National Electrical Code and local codes and ordinances. If a mating wall socket is not available, it is the personal responsibility of the customer to have a properly grounded, 3-prong wall receptacle installed by a qualified electrician.

Leveling the Ice Maker

The ice maker should be installed on a firm and level surface that will be able to support the entire weight of a fully loaded unit. It is important for the ice maker to be leveled in order to work properly. It can be raised or lowered by rotating the feet on the bottom of the machine. If you find that the surface is not level, rotate the feet until the ice maker becomes level. You may need to make several adjustments to level it. We recommend using a carpenter's level to check the machine. Turn the leveling feet to the right to lower that side of the ice maker. Turn the leveling feet to the left to raise that side of the ice maker.



Important: Once you are ready to install the unit in a cabinet or directly on the floor, you must adjust the feet to level the ice maker.

Installing the Door Handle

To install the door handle:

1. Open the door and carefully pull out the section of the door gasket that covers the hole where the handle is to be installed.
2. Insert each Phillips head screw through the hole on the inside of the door until the screw passes through to the outside of the door.
3. Align the handle with the screws and tighten using a Phillips head screwdriver until the handle is flush against the door frame.
4. Carefully press the door gasket back into its original position.



Caution: Do not over-tighten the screws as this may cause damage to the handle or to the door.



Note: Panel ready models allow for the installation of different handles, which may be affixed to the panel overlay directly. Door handle installation may be different than the above instructions.

Connecting the Water Supply and Drain Lines

The water supply should be ready at the point of installation. The water supply pressure should be a minimum of 20 psi with a static pressure of no more than 80 psi. A wall outlet directly behind the ice maker will make installation easier. When you connect the water supply line and drain line, ensure they are installed into the correct locations.



Important: All installations must be done in accordance with local plumbing code requirements. Do not pinch, kink, or damage the water supply or drain lines during installation. Check for leaks after connecting lines.

Connecting the Water Supply Line

1. Turn off the main water supply. Turn on the nearest faucet long enough to clear the line of water.
2. A shut-off valve must be installed between the ice maker and the main water supply.
3. Connect the water supply line to the COLD water piping using copper tubing with a 1/4" compression fitting to the unit or 1/4" reinforced PVC tubing.
4. Install the included water line adapter to the back of the unit. Wrap the threads of the adapter with Teflon tape to ensure a proper seal.
5. Connect the water supply line to the adapter. Tighten the connection to the unit firmly by hand, then tighten one-half turn with an open-ended wrench.
6. Turn on the main water supply and open the shut-off valve. Check for leaks at all connection points. Repair any leaks.



Note: It is strongly advised to always use a water filter with your ice maker. A water filter can remove taste and odors as well as particles. Where water is very hard, softened water may result in white, mushy cubes that stick together. Deionized water is not recommended.

Connecting the Drain Line

There are two options for drain operation: One that drains by gravity and one that utilizes an internal drain pump. Follow the instructions below for your model's configuration.

Gravity Draining (AIMG151GPRI, AIMG151GSSI)

1. Locate the floor drain near the ice maker. Your drain line must be long enough to reach the floor drain and must slope downward 1/4" for every foot of line. An air gap is required between the drain line and the floor drain. A standard P-trap in the floor drain piping is typically recommended.
2. Install the included drain adapter to the back of the unit. Wrap the threads with Teflon tape to ensure a proper seal.
3. Connect the drain hose to the installed drain adapter, then insert the other end of the drain line into the floor drain.
4. Pour 2-4 quarts of water into the ice bin to check for proper drainage.

Pump Draining (AIMG151PPRI, AIMG151PSSI, AIMG151PSSO)

1. The drain pump can pump water up to 4 feet vertically and 20 feet horizontally. Your drain location must be within these distances. Consult a licensed plumber for proper installation.
2. Install the included drain adapter to the back of the unit. Wrap the threads with Teflon tape to ensure a proper seal.

3. Connect a drain hose to the installed adapter, then securely connect the other end of the drain line into the desired drain location.
4. Connect power and turn on the ice maker.
5. Pour 2-4 quarts of water into the ice bin to check for proper drainage.

Operation

Installation Checklist before Operation

1. Have all packing materials and tape been removed from the interior and exterior of the ice maker?
2. Has the ice storage bin been cleaned?
3. Have the installation instructions been followed, including connecting the unit to water and electricity?
4. Is the unit properly grounded?
5. Does water drain correctly?
6. Have leaks been tested for at all connection points and repaired, if necessary?
7. Has the machine been leveled?
8. Is the ice maker in a site where the ambient temperature is between 50°F and 100°F all year round?
9. Is there a clearance of at least 2" at the rear, 1/4" at the top, and 1/4" at the sides for proper air circulation?
10. Has the water supply pressure been checked to ensure a minimum of 20 psi with a static pressure not to exceed 80 psi?
11. Is the ice maker plugged in?
12. Has the main water supply and shut-off valve been turned on?

Initial Operation

1. Turn on the main water supply and open the shut-off valve to the ice maker and let water fill the line.
2. Plug the ice maker into the electric outlet.
3. Open the door and turn the power switch to the "ICE" position.
4. Let the unit run and produce 2-3 batches of ice (approximately 1-2 hours). Discard the ice from these initial productions.
5. The ice maker is now ready for use. The unit will automatically continue to produce ice until the bin is full.

Ongoing Operation

The ice maker's power switch must remain in the "ICE" position for ongoing, daily operation. The ice maker will automatically produce ice until the bin is full. As ice is removed or melts, the unit will continue to produce ice and keep the bin full. The ice maker will produce 1 batch (24 pieces) of ice every 25-30 minutes under normal temperature conditions (50° to 100°F). Under normal conditions, it takes approximately 10-12 hours to completely fill the ice bin.

Remove ice from the bin using the scoop provided. Hang the scoop from its hook after use to prevent it from being buried under the ice. Keep the scoop clean like any kitchen utensil.

Do not put anything other than ice into the ice bin. Cans or bottles are unsanitary, and may freeze or leak. Bottle labels may detach and block the drain.

The ice maker must be regularly cleaned in order to operate correctly. Mineral or mold build-up will adversely affect the unit's operation. Follow the instructions in the "Cleaning and Maintenance" section of this manual to keep your ice maker sanitary and operating properly.

Normal Sounds

Your new ice maker may make noise during normal operation. Most of these sounds are normal. Hard surfaces like the floor and walls can make the sounds seem louder than they actually are.

The following describes several sounds you may hear and what may be making them:

- Rattling noises may come from the flow of the refrigerant or the water line. Items stored on top of the ice maker can also make noises.
- The high-efficiency compressor may make a pulsating or high-pitched sound.
- Water running across the evaporator while making ice may make a splashing sound.
- As each cycle ends, you may hear a gurgling sound due to the refrigerant flowing in your ice maker.
- You may hear air being forced over the condenser by the condenser fan.
- During the ice harvest cycle, you may hear the sound of the ice cubes falling into the storage bin.



Warning: Never attempt to remove frost with a sharp object!

Preparing the Ice Maker for Storage

If the ice maker will not be used for a long time, or is to be moved to another place, it will be necessary to defrost and clean the unit, and dry the interior.

1. Disconnect the ice maker from the power supply by removing the power plug from the wall socket.
2. Turn off the water supply at the shut-off valve.
3. Disconnect the water supply line and drain line.
4. Remove all ice from the storage bin and clean the unit thoroughly (see “Cleaning and Maintenance” section).
5. Leave the door open to allow for air circulation and to prevent mold, mildew, and unpleasant smells.
6. Once the interior is dry and clean the unit will be ready for storage.



Caution: Store the unit out of reach from children. If you have children, you may want to take additional precautions such as removing the door to prevent a child from being trapped inside the ice maker.



Important:

- Do not touch the power plug when your hands are wet.
- Never unplug the unit by pulling on the cord.

Cleaning and Maintenance

Periodic cleaning and proper maintenance will ensure efficiency, top performance, and long life. The exterior of the unit should be cleaned, as necessary. The interior of the unit and the condenser should be cleaned monthly.

Exterior Cleaning

The door and cabinet may be cleaned with a mild detergent and lukewarm water solution such as 2 tablespoons of baking soda to 1 quart of water.

Do not use solvent-based or abrasive cleaners. Use a soft sponge and rinse with clean water. Wipe with a soft, clean towel to prevent water spotting. If the door panel is stainless steel, it can discolor when exposed to chlorine gas and moisture. Clean stainless steel using a cloth dampened with a mild detergent and warm water solution. Never use an abrasive or caustic cleaning agent. Commercially available stainless steel cleaners may also be used to clean the door.

In some environments (i.e. coastal areas) where salt content in the air is high, rust stains may appear on the exterior. Any rust must be removed as quickly as possible to prevent damage to the surface of the unit. A commercial stainless steel cleaner or a 15% nitric acid solution is recommended.

Interior Cleaning and Sanitizing

Monthly Maintenance

The ice maker's interior should be cleaned monthly to remove normal build-up and grime. Clean the interior with a solution of mild detergent and warm water such as 1 ounce of dishwashing liquid mixed with 2 gallons of warm water. Use a soft sponge and nylon brush for cleaning. Rinse all surfaces with clean water.

The condenser should also be cleaned monthly to remove dust and hair. A household or portable vacuum cleaner with a brush attachment should be used to clean the condenser.

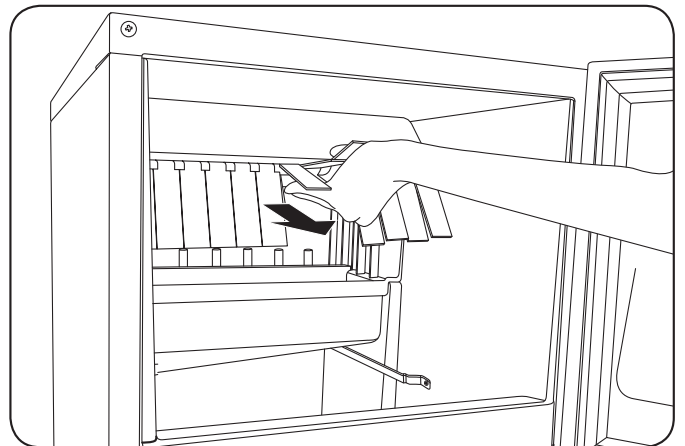
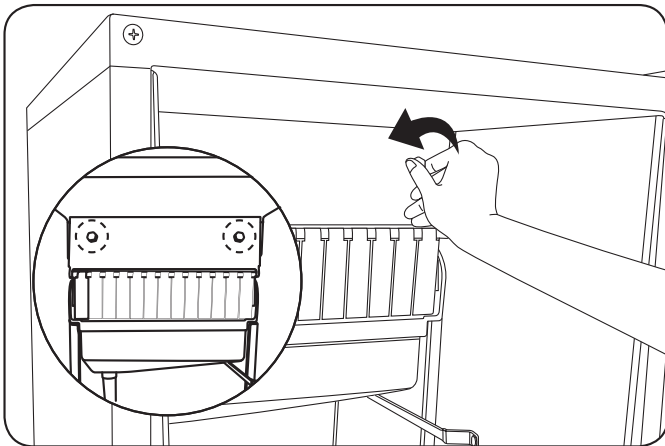
Perform the steps on the following pages to clean the interior parts and condenser of the ice maker.

Routine Cleaning of Interior Parts

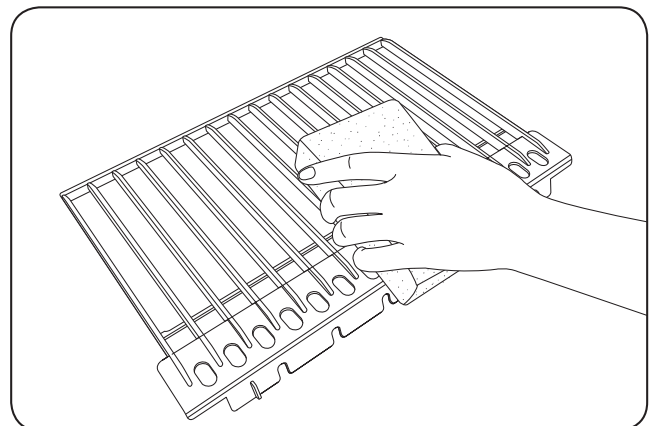
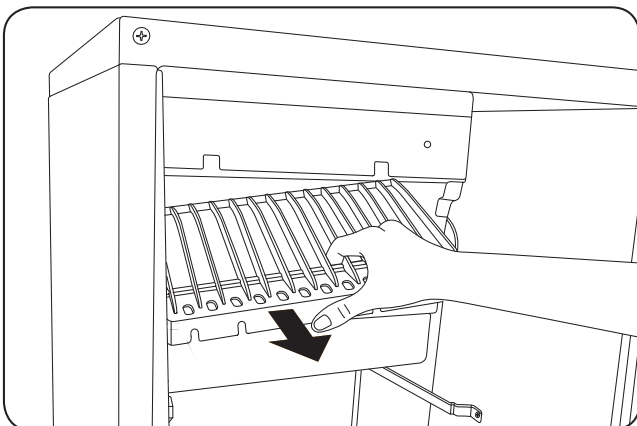
1. Turn the ice maker's switch to "OFF" and allow the unit to finish the current ice making cycle and harvest the ice from the evaporator. DO NOT forcefully remove the ice from the evaporator as this may damage the unit.



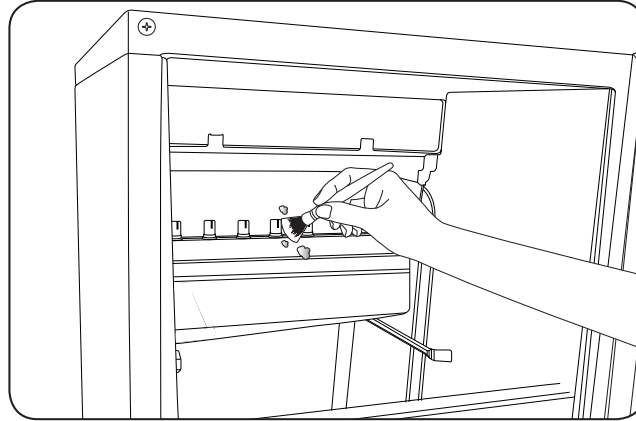
2. Disconnect power to the unit and turn off the water supply at the shut-off valve.
3. Remove all ice inside of the ice bin.
4. Open the door and remove the two bolts holding the water curtain in place. Gently pull the water curtain toward you to remove it. Clean the ice curtain with a soft sponge and the cleaning solution. Rinse with clean water.



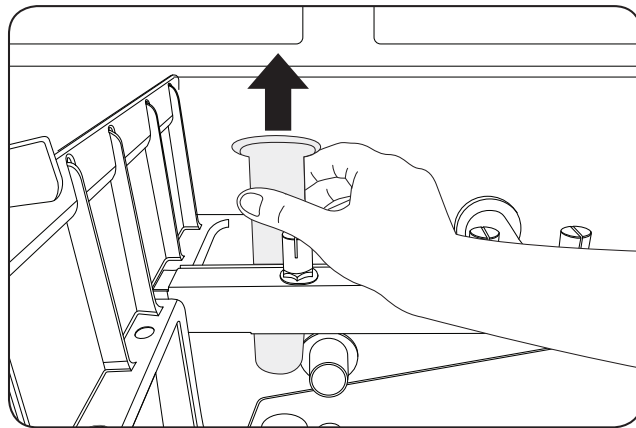
5. Gently lift the ice slide toward you to remove it. Clean the slide with a soft sponge and the solution. Rinse the ice slide with clean water.



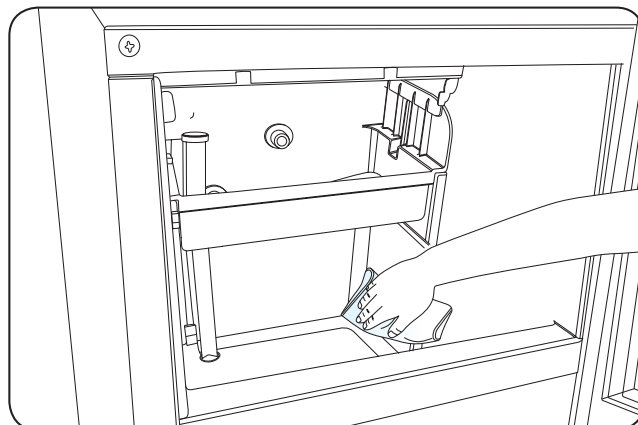
6. Clean each water nozzle on the spray bar with a brush or sponge and the solution. Remove all buildup in each nozzle opening to assure proper water flow. The spray bar may be removed to facilitate cleaning. If necessary, vinegar may be used to help remove mineral build-up from the water nozzles.



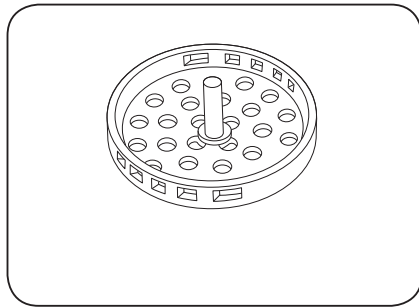
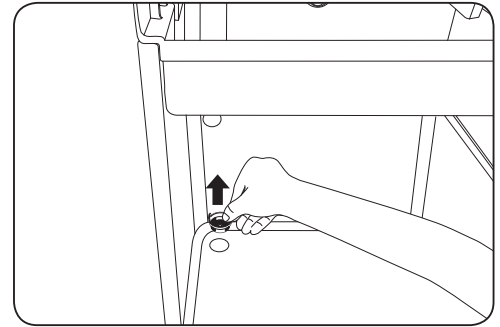
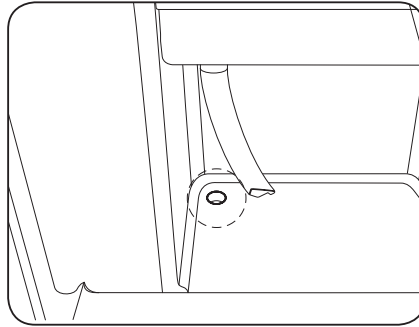
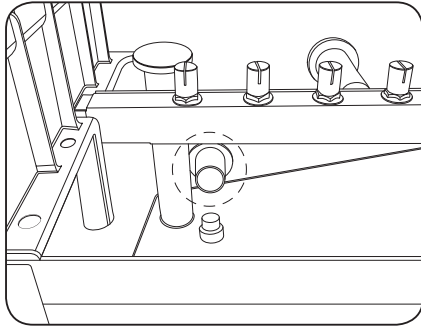
7. Remove the drain plug inside the water reservoir and clean it. Removing the plug will drain the water reservoir so it can be cleaned as well. Rinse all surfaces. Make sure the drain plug is reassembled in the correct position after cleaning or the water reservoir will not fill to make ice.



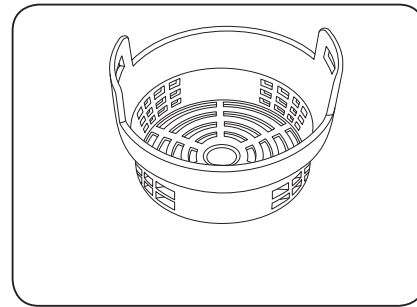
8. Using the sponge and brush, clean the corners, sides, and bottom of the ice bin with the cleaning solution.



9. Remove the filter screens from the water reservoir and the ice bin. The ice bin filter screen consists of two parts: A bottom and top. Move the drain hose slightly to access the ice bin filter screen. Clean the filter screens in the solution and rinse under running water. Replace all filter screens and return the drain hose to its position over the ice bin filter.



Ice Bin Filter Bottom



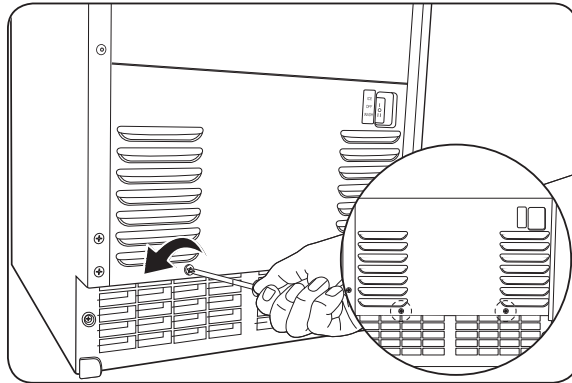
Ice Bin Filter Top

10. Pour an appropriate amount of cleaning solution down the ice bin drain. Rinse the inside of the bin with clean water and allow it to drain.
11. Reassemble all remaining interior parts, reconnect power, and turn on the water supply. Turn power switch to “ICE” and allow the unit produce a batch of ice. Discard the first batch. The ice maker is now ready for use.

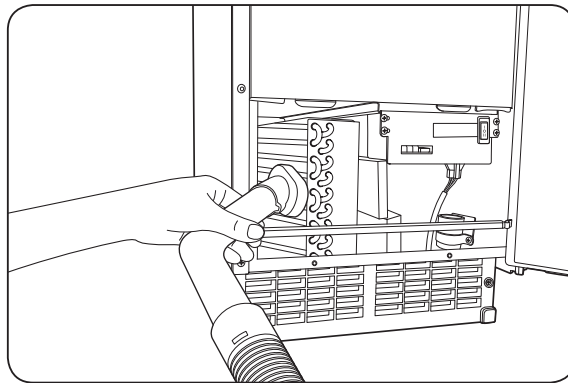
Condenser Cleaning

The condenser should be cleaned monthly to remove dust and hair in order to maintain proper air flow. Clean the condenser with a household or portable vacuum cleaner with a brush attachment.

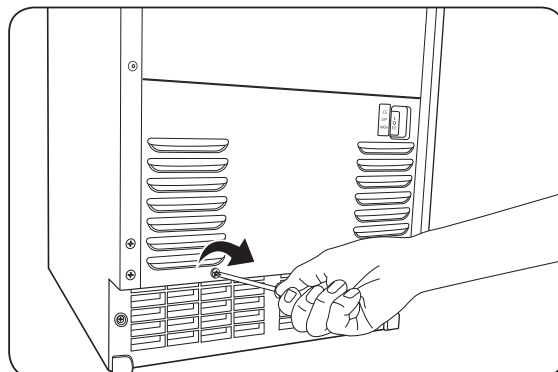
1. Open the door and remove the two screws on the bottom of the front panel with a Phillips screwdriver. Remove the front panel to expose the condenser.



2. Using a household or portable vacuum with a brush attachment, gently vacuum the surface of the condenser to remove all dust and hair.



3. Replace the front panel and tighten the screws. Do not overtighten.



Deep Cleaning and Sanitizing the Ice Maker

It is necessary to remove mineral build-up and sanitize the ice maker at least every 6 months to maintain proper operation of the unit and keep it free from slime and bacteria so the ice is safe for consumption. Minerals that are removed from the water during ice making will eventually form hard, scaly deposits in the system, which will affect the unit's performance. Slime and bacteria build-up will affect the taste and cleanliness of the ice. Deep cleaning and sanitizing the system regularly helps remove mineral deposits and unhealthy bacteria. Your ice maker may need to be deep cleaned and sanitized more often depending on your water and environmental conditions.

To deep clean the ice maker, a **Nickle-Safe Ice Maker Cleaner** must be used to remove the mineral deposits in the system. Do not use harsh or abrasive cleaners as they can damage the ice maker and leave behind harmful residue. Alternatively, vinegar may be used to remove mineral deposits and is food safe. Vinegar concentration will vary depending on the amount of mineral build up.

To sanitize the ice maker, a commercial ice maker disinfectant should be used. As a substitute, a solution of 1 part 5.25% Sodium Hypochlorite (bleach) to 25 parts water may be used.

DO NOT get the cleaning or disinfectant solutions on any of the exterior surfaces as the solutions will damage them. Follow all instructions on the cleaner and disinfectant containers. Always wear rubber gloves when cleaning and disinfecting the ice maker.

Caution:



- 1) DO NOT spill cleaning or disinfectant solutions on exterior surfaces as they will cause damage to the finish.
- 2) DO NOT use harsh or abrasive cleaners.
- 3) Follow all manufacturer instructions on the cleaner and disinfectant containers.
- 4) Wear rubber gloves to protect your hands.
- 5) Discard the first batch of ice produced after cleaning.

Important:



- Do not touch the power plug when your hands are wet.
- Never unplug the unit by pulling on the cord.

Deep Cleaning Steps

1. Turn the ice maker's switch to "OFF" and allow the unit to finish the current ice making cycle and harvest the ice from the evaporator. DO NOT forcefully remove the ice from the evaporator as this may damage the unit.
2. Disconnect power to the unit and turn off the water supply at the shut-off valve.
3. Remove all ice inside the ice bin.
4. In a plastic or stainless steel container, mix 4 liters of water with the required concentration of nickle-safe cleaner as specified in the manufacturer's instructions (generally 150 ml or 5.1 oz).
5. Remove all the internal parts as specified in the previous section "Routine Cleaning of Interior Parts."
6. Place all parts in 1 liter of the nickle-safe cleaning solution and soak them for 10-20 minutes. The spray bar with the water nozzles should also be removed and soaked at this time.
7. While the parts are soaking, clean the inside of the unit and ice bin with a soft sponge or nylon brush and the cleaning solution. Clean all corners, the water reservoir, the evaporator, and the inside of the door. Rinse with clean water.
8. After soaking, clean all parts with a soft sponge or nylon brush. Be sure to remove all mineral build-up, especially on the water nozzles. Additional soaking may be required if build-up is excessive.
9. Replace all cleaned parts.
10. Pour the remaining 3 liters of cleaning solution into the water reservoir and plug in the power. Do not turn on the water supply.
11. Set the switch to "WASH" to begin the automatic cleaning cycle.
12. After the automatic cleaning cycle is complete (approximately 25-30 minutes), set the switch to "OFF." If there is any cleaning solution remaining in the water reservoir, remove the drain plug to drain it. Replace the drain plug when finished.
13. Pour 1 liter of clean water into the water reservoir and set the switch to "WASH" again. Run the unit for 10 minutes to rinse the inside. Set the switch to "OFF." The ice maker is now ready to sanitize.

Sanitizing Steps

1. After cleaning the ice maker, prepare 3 liters of disinfectant solution according to the manufacturer's instructions.
2. Wipe down the inside of the ice bin with a soft sponge soaked in the disinfectant solution.
3. Pour the 3 liters of disinfectant solution into the water reservoir and set the switch the "WASH." This will begin the automatic disinfecting cycle.
4. After the automatic disinfecting cycle is complete (approximately 25-30 minutes), set the switch to "OFF." If there is any solution remaining in the water reservoir, remove the drain plug to drain it. Replace the drain plug when finished.
5. Pour 1 liter of clean water into the water reservoir and set the switch to "WASH" again. Run the unit for 10 minutes to rinse the inside.
6. After the rinse cycle is complete set the switch to "OFF," drain any remaining water, and allow the unit to air dry with the door open.
7. Once the unit is finished drying, turn on the water supply at the shut-off valve and set the switch to "ICE" to return the ice maker to its normal production cycle.
8. Allow the unit to produce a batch of ice and discard the first batch. The ice maker is now ready for use.

Troubleshooting

Before Calling for Help:

If the unit appears to be malfunctioning, read through the “Operation” section of this manual first. If the problem persists, check the Troubleshooting Guide below and on the following page. The problem may be something that can easily be solved or explained.

Symptoms	Possible Causes	Solutions
The ice maker turns on and off frequently.	The room temperature is higher than the recommended ambient environment.	Run the ice maker at the appropriate ambient temperature.
	The door is being opened too often.	Minimize the number of times the door is opened.
	The door is not completely closed.	Make sure the door is completely closed.
	The door gasket is not sealing properly.	Make sure the door gasket is sealing properly.
	The ice maker does not have the suggested ventilation.	Read and follow the “Installation Clearance Requirements” section.
The ice maker does not turn on.	There is a power failure.	Ensure that the ice maker is plugged in and the power outlet has power.
	The ice maker is not plugged in.	Plug the unit in to a power outlet that has sufficient amperage.
	A house fuse has blown or the circuit breaker is tripped.	Replace the broken fuse in your fuse box or reset the breaker.
The ice maker will not reach the desired temperature.	The ice maker is placed too close to a heat source.	Keep the ice maker away from direct sunlight or other heat sources.
	The ice maker does not have sufficient ventilation.	Read and follow the “Installation Clearance Requirements” section.
	The door is opened too frequently or for a long period of time.	Close the door tightly and do not open the door too frequently or for a long period of time.

Symptoms	Possible Causes	Solutions
The ice maker is making strange noises.	Certain sounds are normal.	Read the “Normal Sounds” section.
	The unit is not level or is touching another appliance.	Check to make sure that the ice maker is level, and that it is not in contact with another appliance or furniture.
The body of the ice maker is electrified.	The unit is not grounded properly.	Contact your local electrician to test your electrical grounding system.
Frost is forming in the ice maker.	The environment is humid.	Though the unit uses an “auto-defrost” system, under certain conditions, manual defrosting may be required. If frost builds up, you can try running the ice maker on a warmer temperature setting, minimizing the number of times you open the door, or unplugging the unit to allow the frost to melt.
	The ambient temperature is too low.	Move the ice maker to a site with an ambient temperature at or above 50°F.
	The door is being opened too frequently.	Close the door tightly and do not open the door too frequently or for a long period of time.
The door will not shut properly.	The ice maker is not level.	Make sure the ice maker is on a level surface.
	The door gasket is dirty.	Clean the door gasket.
	The door gasket is not installed correctly.	Make sure the door gasket is correctly installed.

Specifications



Note: Technical data and performance information are provided for reference only. Specifications are subject to change. Check the rating label on the ice maker for the most accurate information.

Product Type	Automatic Gourmet Ice Maker
Models	AIMG151GPRILH, AIMG151GPRIRH, AIMG151GSSILH, AIMG151GSSIRH, AIMG151PPRILH, AIMG151PPRIRH, AIMG151PSSILH, AIMG151PSSIRH, AIMG151PSSOLH, AIMG151PSSORH
Voltage / Frequency	AC 115V / 60Hz
Operating Amperage	4.0 Amps
Refrigerant	R134a
Ambient Temperature Range	50°F - 100°F
Dimensions (Height x Width x Depth)	33 3/4" x 14 15/16" x 23 1/4"*



Note: Depth with the door handle is 25 1/16".
33 3/4" is the minimum height. The leveling feet can be adjusted to raise the ice maker to a taller height.

Product Warranty

Warranty Period	Avallon will be responsible for:	Consumer will be responsible for:
1st year	All costs for repairing or replacing parts and/or unit which proves to be defective. All transportation costs in the first 90 days.	Consumer will be responsible for: All transportation costs after 90 days.
Limited 2nd-5th year (compressor only)	Repairing or replacing any compressor which proves to be defective. (Labor not included.)	Labor and all transportation costs.

This product is warranted by Avallon and is subject to any conditions set forth as follows:

WHAT IS COVERED:

One Year Parts and Labor: For one year from the date of original retail purchase, Avallon will repair or replace any part free of charge including labor that fails due to a defect in materials or workmanship. Avallon will be responsible for all transportation costs for the first 90 days from original purchase date, after 90 days the consumer will be responsible. Labor will be performed free of charge at an authorized Avallon repair facility and will supply new, rebuilt, or refurbished parts free of charge. Avallon may request a defective part be returned in exchange for the replacement part. After the 12 month period, Avallon will no longer be responsible for labor charges incurred or replacement parts. All defective products and parts covered by this warranty will be repaired or replaced on a mail-in basis to an Avallon authorized repair facility.

Five Year Limited Warranty (Compressor- Labor Not Included): In the second through fifth year from the date of original retail purchase, Avallon will replace the compressor free of charge. The consumer will be responsible for all transportation and labor costs. Avallon will supply a new, rebuilt, or refurbished compressor and may request for the defective compressor to be returned in exchange. This limited 5-Year warranty is for the compressor only and does not include labor.

All warranties apply to the original purchaser only, and only covers defects in workmanship experienced during operation of the product under normal service, maintenance, and usage conditions. This warranty applies to the purchase and use of this product in residential settings within the United States of America. All products and parts replaced by Avallon under warranty service become the property of Avallon. All defective products and parts covered by this warranty will be repaired or replaced on a mail-in basis to an Avallon authorized repair facility.

Exceptions: Commercial or Rental Use Warranty: 90 days labor and parts from date of original purchase. No other warranty applies.

WHAT IS NOT COVERED:

Labor charges for installation, setup or training to use the product. Shipping damage, and any damage caused by improper packaging for shipment to an authorized service center, and any damaged caused by improper voltage or any other misuse, including abnormal service, handling, or usage. Cosmetic damage such as scratches and dents. Normal wear and tear on parts or replacement of parts designed to be replaced, e.g. filters, cartridges, batteries. Service trips to deliver, pick-up, or repair, install the product, or to instruct in proper usage of the product. Damages or operating problems resulting from misuse, abuse, operation outside environmental specifications, uses contrary to instructions provided in the owner’s manual, accidents, vermin, fire, flood, improper installation, unauthorized service, maintenance negligence, unauthorized installation or modification, or commercial use. Labor, service transportation, and shipping charges for the removal and replacement of defective parts, beyond the initial 12-month period. Products that have been modified to perform outside of specifications without the prior written permission of Avallon. Products lost in shipment, or theft. Products sold AS IS or from an unauthorized reseller. Products that have had their serial numbers removed, defaced, or with serial numbers that have been invalidated. Damage from other than normal household use. Replacement or repair of household fuses, circuit breakers, wiring or plumbing. Damage to personal property from use of product. Damage from service other than from an authorized Avallon repair facility. Hoses, knobs, lint trays and all attachments, accessories and disposable parts. Any service charges not specifically identified as normal such as normal service area or hours. Any special or consequential damages arising out of the use of the product.

OBTAINING WARRANTY SERVICE:

If you believe your product is defective, contact Avallon Customer Support for troubleshooting assistance and warranty service at www.avallon.com or call 1-866-471-7427. Before contacting Customer Support, you are required to have your model number, serial number and proof of purchase available upon request. Once an Avallon authorized representative has confirmed that your product is defective and eligible for warranty service, the product must be returned to an Avallon authorized repair facility. Avallon is not responsible for damage resulting from shipper mishandling or improper packaging. Do not return a defective product to the place of purchase. Products received without a return authorization number will be refused.

THIS WARRANTY IS IN LIEU OF ANY OTHER WARRANTY, EXPRESS OR IMPLIED, INCLUDING WITHOUT LIMITATION, ANY WARRANTY OF MERCHANTABILITY OR FITNESS FOR A PARTICULAR PURPOSE. TO THE EXTENT ANY IMPLIED WARRANTY IS REQUIRED BY LAW, IT IS LIMITED IN DURATION TO THE EXPRESS WARRANTY PERIOD ABOVE. NEITHER THE MANUFACTURER NOR ITS DISTRIBUTORS SHALL BE LIABLE FOR ANY INCIDENTAL, CONSEQUENTIAL, INDIRECT, SPECIAL, OR PUNITIVE DAMAGES OF ANY NATURE, INCLUDING WITHOUT LIMITATION, LOST REVENUES OR PROFITS, OR ANY OTHER DAMAGE WHETHER BASED IN CONTRACT, TORT, OR OTHERWISE. IN NO EVENT AND UNDER NO CIRCUMSTANCE OF ANY TYPE OR KIND SHALL THE SELLER, MANUFACTURER AND/OR DISTRIBUTOR BE LIABLE FOR ANY REASON, UNDER ANY THEORY, FOR MORE THAN THE BASIC COST OF THE PRODUCT TO THE PURCHASER OR END USER. SOME STATES DO NOT ALLOW THE EXCLUSION OF INCIDENTAL OR CONSEQUENTIAL DAMAGES, SO THE ABOVE EXCLUSION MAY NOT APPLY TO YOU. THIS WARRANTY GIVES YOU SPECIFIC LEGAL RIGHTS. YOU MAY HAVE OTHER RIGHTS THAT VARY FROM STATE TO STATE.

THIS PAGE INTENTIONALLY LEFT BLANK

Avallon[®]
