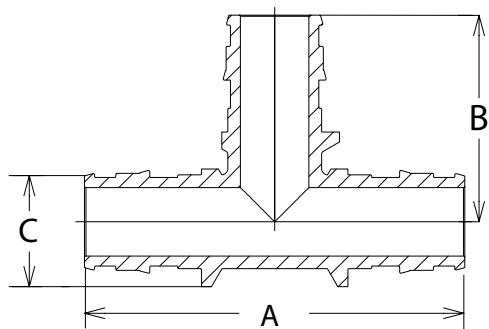


F1960 BRASS PEX REDUCING TEE



- Simple and dependable plumbing connection
- Easy installation
- Leak-proof connections
- Lead-free DZR brass
- Can be used with F1960 PEX rings
- Tested and certified to ASTM F1960
- Certified to NSF/ ANSI/ CAN 61- 2019, NSF/ ANSI 372-2016, and NSF/ ANSI 14-2015
- Certified to CSA B137.5-2020
- cUPC listed



Part No.	Description	A - in (mm)	B - in (mm)	C - in (mm)	Weight-lbs (grams)
F76867B	3/4" x 3/4" x 1/2" F1960	2.72 (69.20)	1.38 (35.10)	1.02 (26.00)	0.18 (81.65)
F76869B	3/4" x 3/4" x 1" F1960	3.28 (83.20)	1.81 (46.10)	1.02 (26.00)	0.28 (128.82)
F76913B	3/4" x 1/2" x 3/4" F1960	2.61 (66.20)	1.62 (41.10)	1.02 (26.00)	0.19 (85.28)
F76906B	3/4" x 1/2" x 1/2" F1960	2.33 (59.20)	1.38 (35.10)	1.02 (26.00)	0.15 (67.13)
F76905B	1/2" x 1/2" x 3/4" F1960	2.49 (63.20)	1.48 (37.60)	0.77 (19.50)	0.15 (69.85)
F76898B	1" x 3/4" x 3/4" F1960	3.04 (77.20)	1.80 (45.60)	1.36 (34.50)	0.28 (124.74)
F76903B	1" x 3/4" x 1/2" F1960	2.88 (73.20)	1.52 (38.60)	1.36 (34.50)	0.24 (108.41)
F76897B	1" x 3/4" x 1" F1960	3.41 (86.70)	1.99 (50.60)	1.36 (34.50)	0.35 (160.12)
F76896B	1" x 1/2" x 1" F1960	3.20 (81.20)	2.01 (51.10)	1.36 (34.50)	0.36 (165.56)
F76895B	1" x 1" x 3/4" F1960	3.31 (84.20)	1.78 (45.10)	1.36 (34.50)	0.32 (145.15)
F76894B	1" x 1" x 1/2" F1960	3.20 (81.20)	1.52 (38.60)	1.36 (34.50)	0.29 (131.09)

F1960 Specified Dimensions	ID - in (mm)	OD - in (mm)
1/2" End Connection	.41 (10.33)	.61 (15.59)
5/8" End Connection	.53 (13.40)	.74 (18.90)
3/4" End Connection	.62 (15.80)	.87 (22.10)
1" End Connection	.83 (21.00)	1.11 (28.10)