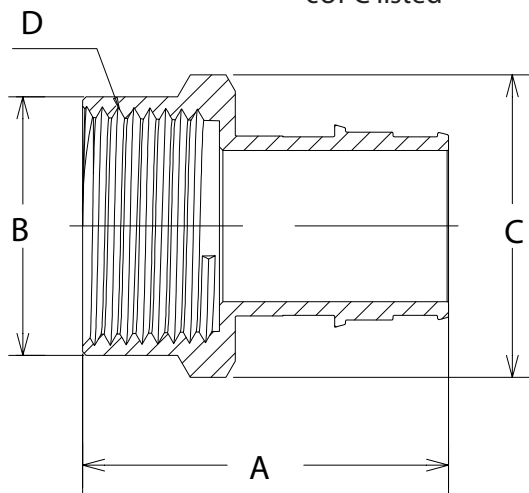




F1960 BRASS PEX FEMALE THREADED ADAPTER

- Simple and dependable plumbing connection
- Easy installation
- Leak-proof connections
- Lead-free DZR brass
- Can be used with F1960 PEX rings
- Tested and certified to ASTM F1960
- Certified to NSF/ ANSI/ CAN 61- 2019, NSF/ ANSI 372-2016, and NSF/ ANSI 14-2015
- Certified to CSA B137.5-2020
- cUPC listed



Part No.	Description	A - in (mm)	B - in (mm)	C - in (mm)	D - in (mm)	Weight-lbs (grams)
F76862B	3/4" F1960 x FIP	1.62 (41.20)	1.12 (28.40)	1.32 (33.50)	3/4"-14 NPT	0.12 (54.43)
F76861B	3/4" F1960 x 1" FIP	1.76 (44.80)	1.41 (35.90)	1.65 (42.00)	1"-11.5 NPT	0.20 (90.72)
F76859B	1/2" F1960 x FIP	1.36 (34.60)	0.93 (23.70)	1.10 (28.00)	1/2"-14 NPT	0.09 (40.82)
F76860B	1/2" F1960 x 3/4" FIP	1.39 (35.20)	1.12 (28.45)	1.32 (33.50)	3/4"-14 NPT	0.11 (49.90)
F76858B	1" F1960 x FIP	2.00 (50.80)	1.41 (35.90)	1.65 (42.00)	1"-11.5 NPT	0.23 (104.33)

F1960 Specified Dimensions	ID - in (mm)	OD - in (mm)
1/2" End Connection	.41 (10.33)	.61 (15.59)
5/8" End Connection	.53 (13.40)	.74 (18.90)
3/4" End Connection	.62 (15.80)	.87 (22.10)
1" End Connection	.83 (21.00)	1.11 (28.10)