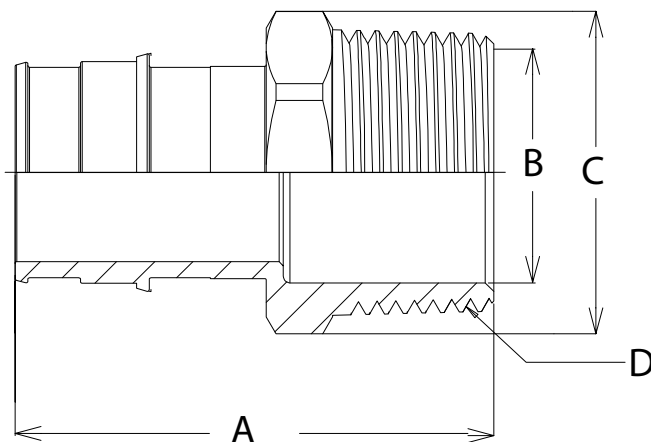


F1960 BRASS PEX MALE THREADED ADAPTER



- Simple and dependable plumbing connection
- Easy installation
- Leak-proof connections
- Lead-free DZR brass
- Can be used with F1960 PEX rings
- Tested and certified to ASTM F1960
- Certified to NSF/ ANSI/ CAN 61- 2019, NSF/ ANSI 372-2016, and NSF/ ANSI 14-2015
- Certified to CSA B137.5-2020
- cUPC listed



Part No.	Description	A - in (mm)	B - in (mm)	C - in (mm)	D - in (mm)	Weight-lbs (grams)
F76852B	3/4" F1960 x MIP	1.74 (44.10)	0.78 (19.80)	1.18 (30.00)	3/4"-14 NPT	0.14 (63.50)
F76851B	3/4" F1960 x 1" MIP	1.95 (49.60)	1.02 (26.00)	1.52 (38.50)	1"-11.5 NPT	0.20 (90.72)
F76849B	1/2" F1960 x MIP	1.50 (38.10)	0.61 (15.50)	0.98 (25.00)	1/2"-14 NPT	0.09 (40.82)
F76850B	1/2" F1960 x 3/4" MIP	1.52 (38.60)	0.78 (19.80)	1.18 (30.00)	3/4"-14 NPT	0.12 (54.43)
F76847B	1" F1960 x MIP	2.22 (56.40)	1.02 (26.00)	1.50 (38.00)	1"-11.5 NPT	0.26 (117.93)
F76848B	1" F1960 x 3/4" MIP	2.01 (51.10)	0.78 (19.80)	1.18 (30.00)	3/4"-14 NPT	0.18 (81.65)

F1960 Specified Dimensions	ID - in (mm)	OD - in (mm)
1/2" End Connection	.41 (10.33)	.61 (15.59)
5/8" End Connection	.53 (13.40)	.74 (18.90)
3/4" End Connection	.62 (15.80)	.87 (22.10)
1" End Connection	.83 (21.00)	1.11 (28.10)