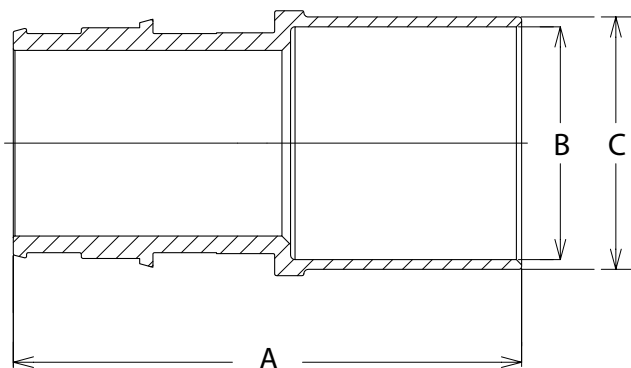


F1960 BRASS PEX MALE SWEAT ADAPTER



- Simple and dependable plumbing connection
- Easy installation
- Leak-proof connections
- Lead-free DZR brass
- Can be used with F1960 PEX rings
- Tested and certified to ASTM F1960
- Certified to NSF/ ANSI/ CAN 61- 2019, NSF/ ANSI 372-2016, and NSF/ ANSI 14-2015
- Certified to CSA B137.5-2020
- cUPC listed



Part No.	Description	A - in (mm)	B - in (mm)	C - in (mm)	Weight-lbs (grams)
F76839B	3/4" F1960 x 1/2"	1.62 (41.13)	0.54 (13.80)	0.62 (15.85)	0.07 (33.57)
F76838B	3/4" F1960 x 1" Male	1.90 (48.25)	1.04 (26.36)	1.13 (28.58)	0.10 (44.91)
F76840B	3/4" F1960	1.87 (47.50)	0.79 (20.10)	0.87 (22.20)	0.08 (36.29)
F76837B	1/2" F1960 x 3/4" Male	1.50 (38.10)	0.79 (20.10)	0.87 (22.20)	0.06 (25.40)
F76836B	1/2" F1960	1.38 (35.13)	0.54 (13.80)	0.62 (15.85)	0.04 (19.50)
F76835B	1" F1960	2.27 (57.55)	1.04 (26.37)	1.13 (28.58)	0.15 (66.68)

F1960 Specified Dimensions	ID - in (mm)	OD - in (mm)
1/2" End Connection	.41 (10.33)	.61 (15.59)
5/8" End Connection	.53 (13.40)	.74 (18.90)
3/4" End Connection	.62 (15.80)	.87 (22.10)
1" End Connection	.83 (21.00)	1.11 (28.10)