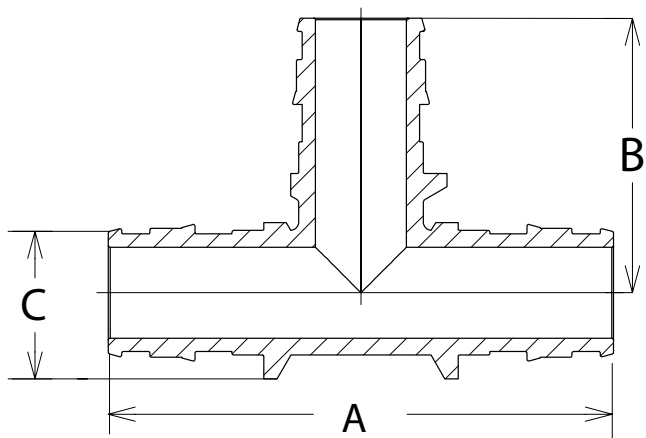


F1960 BRASS PEX TEE



- Simple and dependable plumbing connection
- Easy installation
- Leak-proof connections
- Lead-free DZR brass
- Can be used with F1960 PEX rings
- Tested and certified to ASTM F1960
- Certified to NSF/ ANSI/ CAN 61- 2019, NSF/ ANSI 372-2016, and NSF/ ANSI 14-2015
- Certified to CSA B137.5-2020
- cUPC listed



Part No.	Description	A - in (mm)	B - in (mm)	C - in (mm)	Weight-lbs (grams)
F76868B	3/4" F1960	2.92 (74.20)	1.62 (41.10)	1.02 (26.00)	0.21 (95.25)
F76866B	1/2" F1960	2.25 (57.22)	1.22 (31.10)	0.77 (19.50)	0.12 (54.43)
F76904B	1" F1960	3.79 (96.20)	2.01 (51.10)	1.36 (34.50)	0.41 (185.97)

F1960 Specified Dimensions	ID - in (mm)	OD - in (mm)
1/2" End Connection	.41 (10.33)	.61 (15.59)
5/8" End Connection	.53 (13.40)	.74 (18.90)
3/4" End Connection	.62 (15.80)	.87 (22.10)
1" End Connection	.83 (21.00)	1.11 (28.10)