

# F1960 PEX Ring with Stop

Job Name	_____
Location	_____
Engineer	_____
Contractor	_____
Tag	_____ PO# _____

**Specifications**

Manufactured to the highest industry standards, Jones Stephens' F1960 cold expansion fittings provide precise, secure, and leak-free connections. Made with strong polymer material, F1960 cold expansion fittings are corrosion and chlorine/chemical resistant – making them a great fit for aggressive water environments. Approved for use with PEX-A piping.

**Applications**

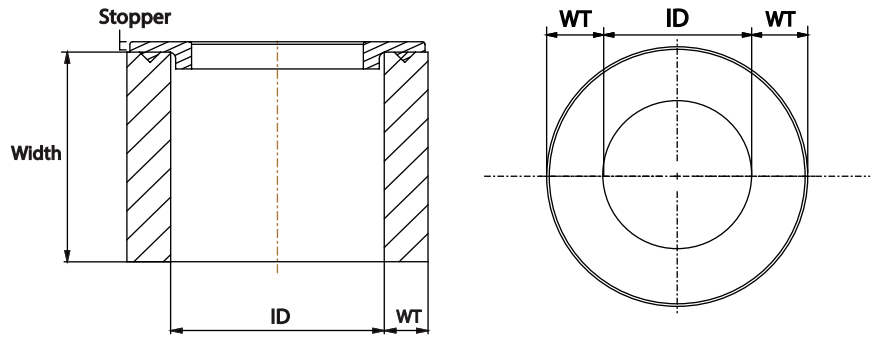
Jones Stephens' F1960 PEX Rings with Stop are approved for use with commercial and residential non-potable water applications.

**Materials**

PEX

**Certifications/Listings/Approvals**

NSF 61



**PRODUCT OFFERING ON PAGE 2**

**Dimensions and Product Offering**

PART NO.	SIZE	I.D.	I.D. Tolerance	Out of Round Max	WT	WT Tolerance	Width	Width Tolerance
<b>F76909</b>	0.50"	0,633"	± 0,003"	0,024"	0,123"	± 0.005"	0,630"	± 0.020"
<b>F76910</b>	0.62"	0,757"	± 0,003"	0,024"	0,123"	± 0.005"	0,787"	± 0.020"
<b>F76911</b>	0.75"	0,882"	± 0.004"	0,024"	0,123"	± 0.005"	0,866"	± 0.020"
<b>F76912</b>	1.00"	1,134"	± 0.004"	0,024"	0,143"	± 0.006"	1,102"	± 0.030"
<b>F76071</b>	1.25"	1,388"	± 0.004"	0,035"	0,138"	± 0.006"	1,349"	± 0.040"
<b>F76072</b>	1.50"	1,642"	± 0.004"	0,035"	0,138"	± 0.006"	1,605"	± 0.040"
<b>F76073</b>	2.00"	2,154"	± 0.004"	0,080"	0,236"	± 0.012"	1,968"	± 0.040"