

66" SANFORD

CAST IRON CLAWFOOT TUB - IMPERIAL FEET - BLACK

SKU: 931038



CONTENTS

66" TUB PAGE 2

FEATURES

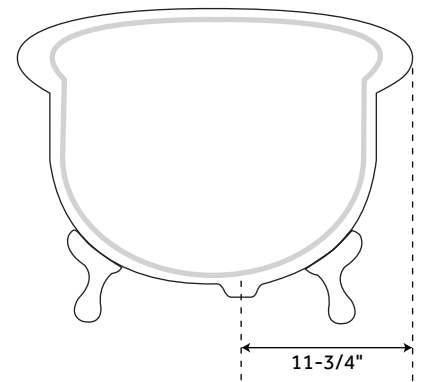
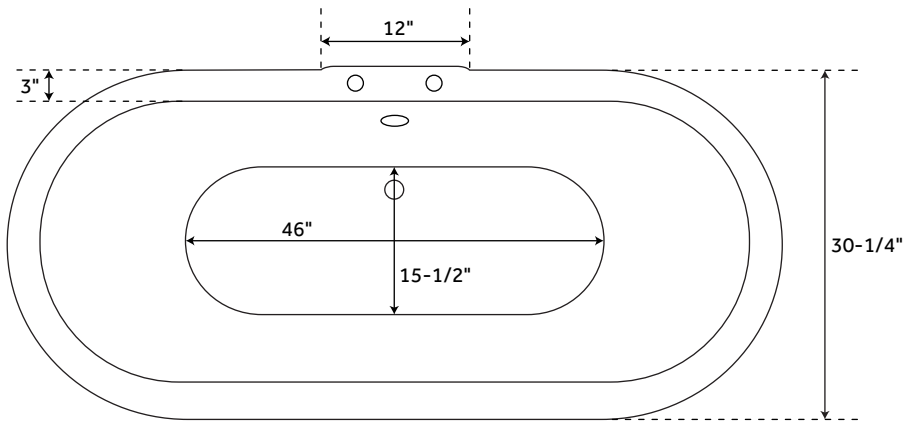
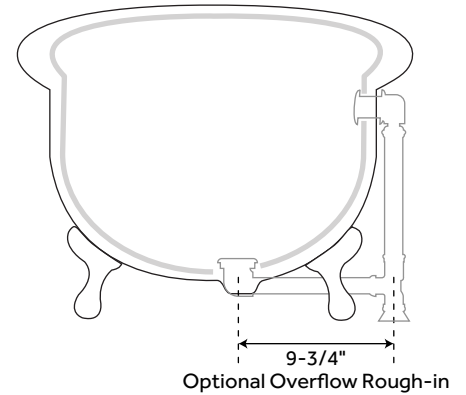
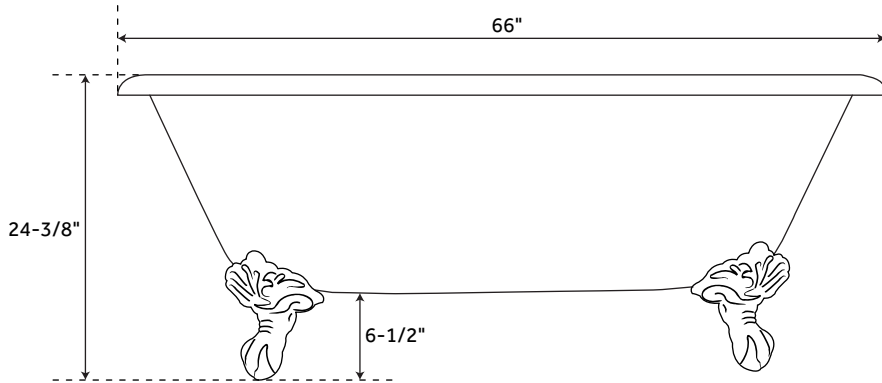
- Design: Traditional
- Product Finish: Black
- Overflow Hole: Yes
- Shape: Oval
- Material: Cast Iron
- Exterior Treatment: Hand-Smoothed Painted
- Interior Treatment: White Porcelain Enamel
- Feet Type: Imperial
- Feet Material: Cast Iron
- Tap Deck: Yes
- Drain Included: Optional
- Drain Placement: Offset
- Faucet Included: No
- Faucet Drillings: 7" Rim Holes
- Built-In Adjusters: Yes
- This Tub Includes a Set of Optional Swiveling Foot Adjusters. Use the Swiveling Adjusters on Uneven Floors to Allow All Four Feet to Properly Rest Flush on the Surface
- Overflow Option: Includes Extended Pop-Up Drain with Swivel Head
- Choose a Standard or Daisy Wheel Overflow, Which Remain Open to Allow Water Into the Drain, or the Press-and-Seal Overflow, Which Can be Closed for Additional Water Depth

REVISED 04/08/2020

66" SANFORD

CAST IRON CLAWFOOT TUB - IMPERIAL FEET - BLACK

SKU: 931038



FEATURES

Length: 66"
Width: 30-1/4"
Height: 24-3/8"
Tub Interior Length: 46"
Tub Interior Width: 15-1/2"
Water Depth To Overflow: 13"
Water Capacity (Gallons): 41
Tub Weight Uncrated (lbs): 301
Tub Weight Crated (lbs): 441

CODES/STANDARDS

cICC-ES PMG
ASME A112.19.1/CSA B45.2

PRODUCT IMAGE



All dimensions and specifications are nominal and may vary. Use actual products for accuracy in critical situations.

PAGE 2
Code: 517318