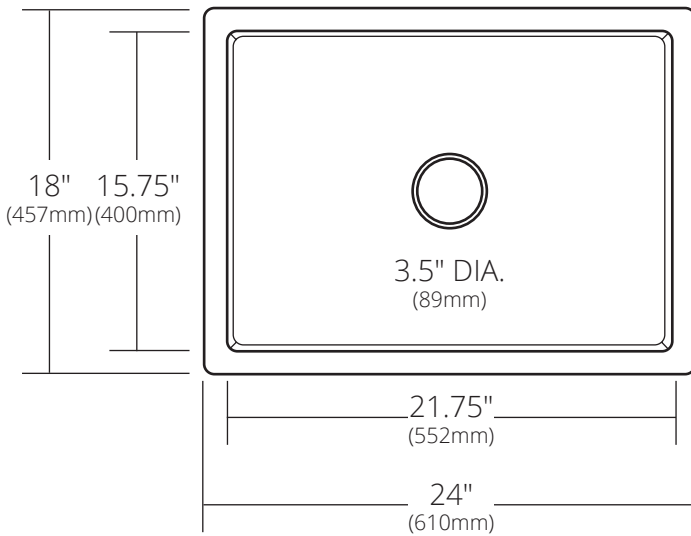


SPECIFICATIONS

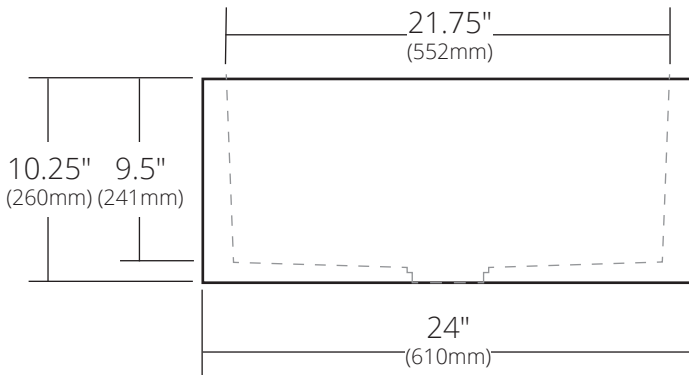
FARMHOUSE 2418

NativeStone® Collection

TOP VIEW



FRONT VIEW



NSK2418-A Ash
 NSK2418-S Slate
 NSK2418-P Pearl
 NSK2418-E Earth

PRODUCT DETAILS

- 24" x 18" x 10.25" OD (610mm x 457mm x 260mm)
- 21.75" x 15.75" x 9.5" ID (552mm x 400mm x 241mm)
- 3.5" (89mm) drain opening
- Handcrafted from sustainable NativeStone®
- Sealed with impermeable nano sealer

INSTALLATION

- Undermount
- Apron-front visible or concealed apron

COORDINATING PRODUCTS

- Drains: DR320 or DR340
- Bottom Grid: GR2014
- NativeStone® Sealer

STANDARDS COMPLIANCE

- UPC/cUPC compliant

IMPORTANT

Do NOT use tape or other adhesives on NativeStone® as it may remove the sealer.

Due to the handcrafted nature of this product, it will vary in finish, texture, and other details. Dimensions may vary up to ¼" (6mm).