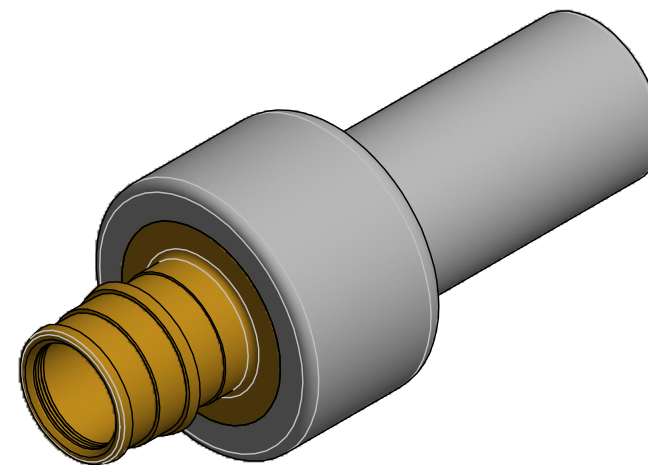


CODE	ND	S	C	LC	L1	L	D
27NPR731220	1/2" => 20 mm	0.12	1/2"	0.72	1.75	3.65	1.42
27NPR731225	3/4" => 25 mm	0.14	1/2"	0.72	1.81	3.64	1.46
27NPR733425	3/4" => 25 mm	0.14	3/4"	0.96	1.75	3.87	1.61
27NPR110132	1" => 32 mm	0.12	1"	1.20	1.89	4.27	1.97
27NPR1111432	1" => 32 mm	0.12	1"1/4	1.44	1.89	4.52	1.97
27NPR1111240	1"1/4 => 40 mm	0.15	1"1/2	1.70	2.17	4.97	1.97
27NPR110250	1"1/2"=> 50 mm	0.18	2"	2.15	2.40	5.89	2.76



ITEM: **NPR11**

DESC: PEX ADAPTER LONG SPIGOT
SDR11

C:\Vault_Temp\Disegn\ISchede Tecniche\Niron Grey inches\Butt Fusion Fittings\NI10351.dwg



DRAWING No:
NI10351

SHEET OF	REV.
1 1	-2

www.nupiamericas.com - info@nupiamericas.com

All dimensions have to be considered in inches with 5% tolerance if not otherwise mentioned excluding values as per standard ASTM F2389