

Features

- 1.6 gpf (6.0 lpf)
- Activation distance is factory-set.
- Chloramine and chlorine resistance on all rubber components exposed to waterway.
- Engineered for optimal performance with KOHLER® commercial fixtures.
- 125-micron filter protects internal components.
- High back pressure vacuum breaker.
- Locking stop cap provides protection against vandalism.
- No external flush volume adjustment ensures water conservation.
- 24-hour automatic sentinel flush keeps trapway fresh.
- Mechanical override enables flushometer to be used manually even during a power outage.
- Powered by 1.5V AA lithium batteries.

Material

- Brass construction with durable Polished Chrome finish.

Technology

- Electronic infrared sensor with Tripoint® technology for accurate activation.
- Patented piston technology for superior flush volume accuracy.

Installation

- Intended for toilet installations with 1-1/2" (38 mm) top spud coupling connection.

Recommended Products/Accessories

K-23723 Faucet cleaner

Optional Products/Accessories

GP1118986 Flushometer Extension Kit

K-10313 Flushometer 12" rough-in kit



ADA

CSA B651

OBC

Codes/Standards

ASME A112.18.1/CSA B125.1
ASSE 1037/ASME A112.1037/CSA B125.37
ADA
ICC/ANSI A117.1
CSA B651
OBC

KOHLER® One-Year Limited Warranty

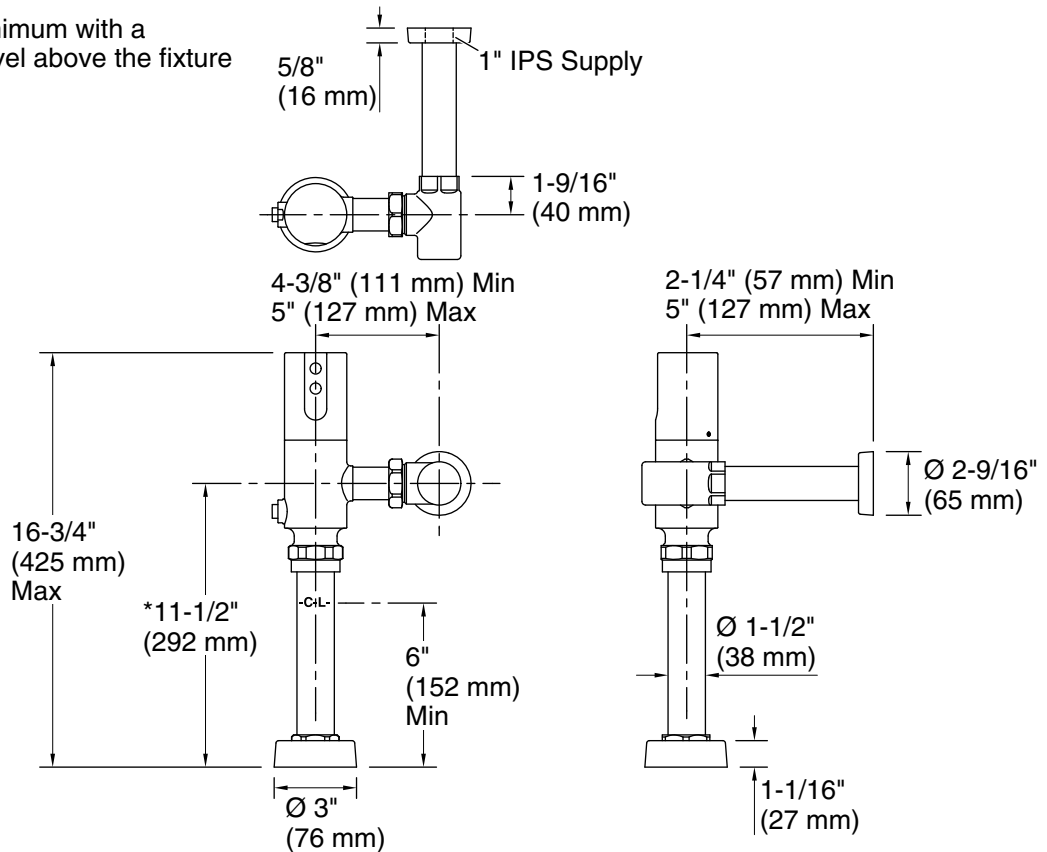
See website for detailed warranty information.

Available Colors/Finishes

Color tiles intended for reference only.

Color	Code	Description
	CP	Polished Chrome

*10-3/4" (273 mm) minimum with a
6" (152 mm) critical level above the fixture



Technical Information

All product dimensions are nominal.

Pressure/fixture Supply Requirements

Fixture pressure max (static):	80 psi (551.6 kPa)
Fixture pressure min (static):	35 psi (241.3 kPa)
Min flowing pressure:	25 psi (172.4 kPa)
Min flow rate:	25 gpm (94.6 lpm)

Notes

Install this product according to the installation instructions.

ADA, OBC, CSA B651 compliant when installed to the specific requirements of these regulations.