



18.02 by Janet Echelman Veil™

Vessel bathroom sink
K-24386-JE

Features

- Produced in collaboration with renowned artist Janet Echelman.
- Asymmetrical oval basin.
- Innovative Supramic technology provides superior strength and ultra-thin edge profiles.
- Decorated with mixed metallic pattern on white background.
- Coordinates with other products in the Veil collection.
- No faucet holes; requires wall- or counter-mount faucet.

Material

- Fireclay with Supramic technology.

Installation

- Vessel.

Required Products/Accessories

For above-counter installation

K-7124-A Pop-Up Clicker Drain

or

K-7114-A Pop-Up Drain

or

K-7126 Standard pop-up drain, non-exposed, with lift rod

Recommended Products/Accessories

K-23726 Drain treatment

K-23725 Cast iron cleaner

Included Components

Additional Components:

1311408-* Overflow Cover

1331521-* Drain Cover Kit



ADA

CSA B651

Codes/Standards

ASME A112.19.2/CSA B45.1

ADA

ICC/ANSI A117.1

CSA B651

KOHLER® One-Year Limited Warranty

See website for detailed warranty information.

Available Colors/Finishes

Color tiles intended for reference only.

Color	Code	Description
-------	------	-------------



0

White

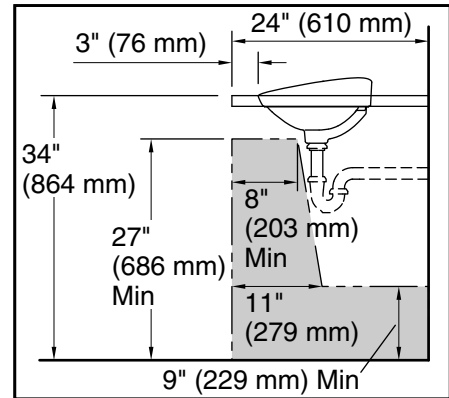
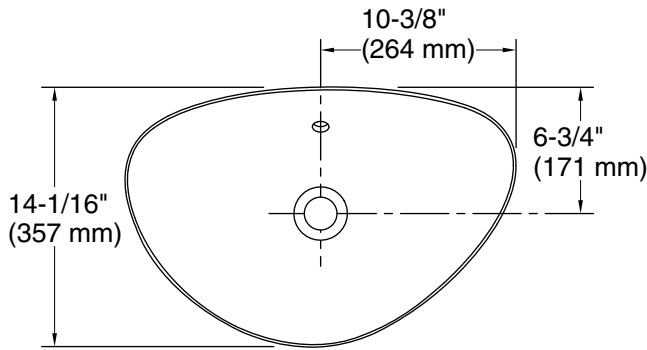
1-800-4KOHLER (1-800-456-4537)

Kohler Co. reserves the right to make revisions without notice to product specifications.

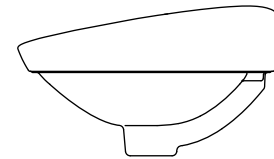
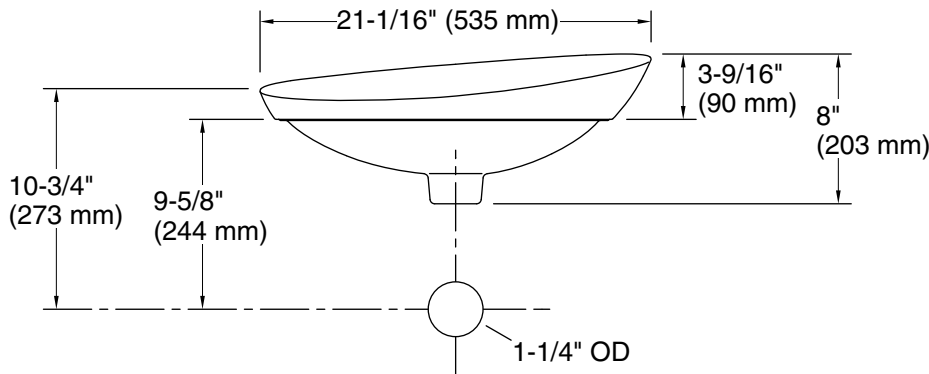
For the most current Specification Sheet, go to www.kohler.com.

6-14-2021 05:15 - US/CA/CN/IN/GB

THE BOLD LOOK
OF **KOHLER**®



Recommended ADA Installation



Technical Information

All product dimensions are nominal.

Installation: Vessel

Drain hole: 1-3/4" (44 mm)

Notes

Install this product according to the installation instructions.

NOTICE: Countertop manufacturer or cutter must use the cut-out template provided with the product, or a current one provided by Kohler Co. (call 1-800-4-KOHLER). Kohler Co. is not responsible for cutout errors when the incorrect cut-out template is used.

ADA, CSA B651 compliant when installed to the specific requirements of these regulations.