

### Features

- 0.125 gpf (0.47 lpf).
- Activation distance is factory-set.
- Chloramine and chlorine resistance on all rubber components exposed to waterway.
- Engineered for optimal performance with KOHLER® commercial fixtures.
- 125-micron filter protects internal components.
- High back pressure vacuum breaker.
- Locking stop cap provides protection against vandalism.
- No external flush volume adjustment ensures water conservation.
- 24-hour automatic sentinel flush keeps trapway fresh.
- Mechanical override enables flushometer to be used manually even during a power outage.
- Includes 1.5V AA alkaline batteries.

### Material

- Brass construction with durable Polished Chrome finish.

### Technology

- Flushometer activates when hand is waved over electronic infrared WAVE sensor.
- Patented piston technology for superior flush volume accuracy.

### Installation

- Intended for urinal installations with 3/4" (19 mm) top spud coupling connection.

### Recommended Products/Accessories

K-23723 Faucet cleaner

### Optional Products/Accessories

GP1118986 Flushometer Extension Kit  
K-10313 Flushometer 12" rough-in kit



ADA

CSA B651

OBC

### Codes/Standards

ASME A112.18.1/CSA B125.1  
ASSE 1037/ASME A112.1037/CSA B125.37  
EPA WaterSense®  
ADA  
ICC/ANSI A117.1  
CSA B651  
OBC

### KOHLER® One-Year Limited Warranty

See website for detailed warranty information.

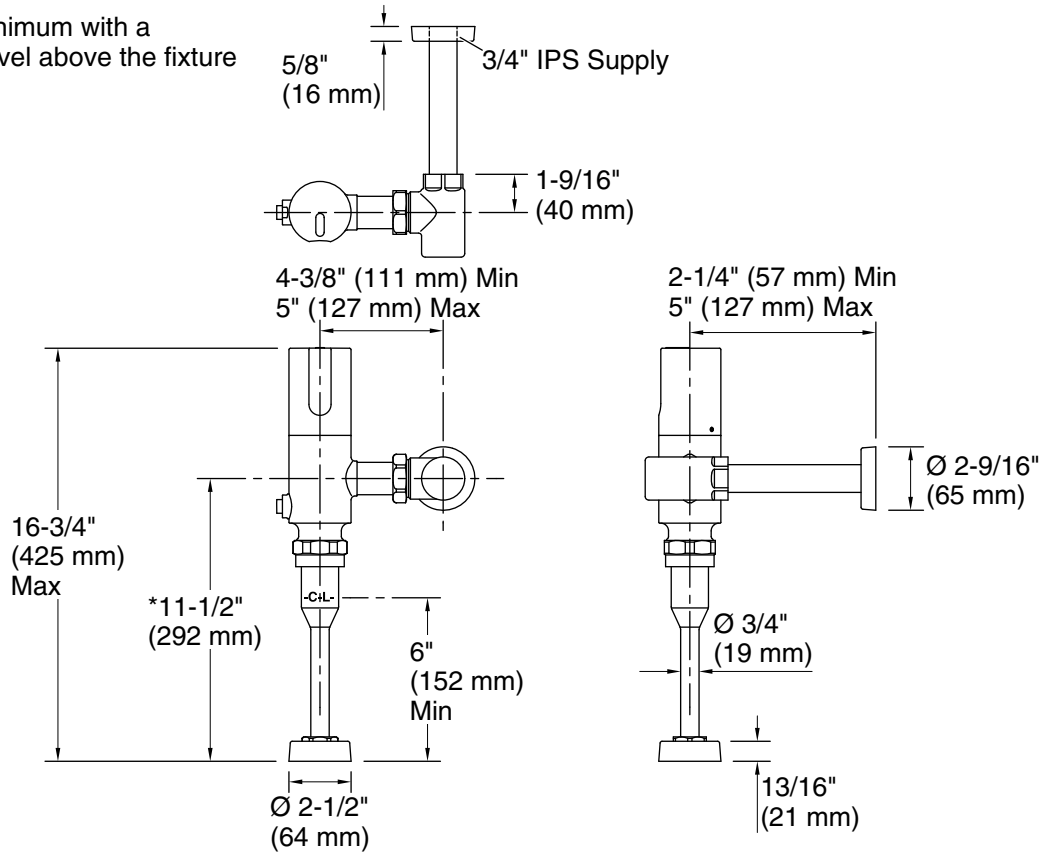
### Available Colors/Finishes

*Color tiles intended for reference only.*

#### Color Code Description

	CP	Polished Chrome
--	----	-----------------

\*10-3/4" (273 mm) minimum with a  
6" (152 mm) critical level above the fixture



### Technical Information

All product dimensions are nominal.

### Pressure/fixture Supply Requirements

Fixture pressure max (static):	80 psi (551.6 kPa)
Fixture pressure min (static):	25 psi (172.4 kPa)
Min flowing pressure:	25 psi (172.4 kPa)
Min flow rate:	25 gpm (94.6 lpm)

### Notes

Install this product according to the installation instructions.

ADA, OBC, CSA B651 compliant when installed to the specific requirements of these regulations.