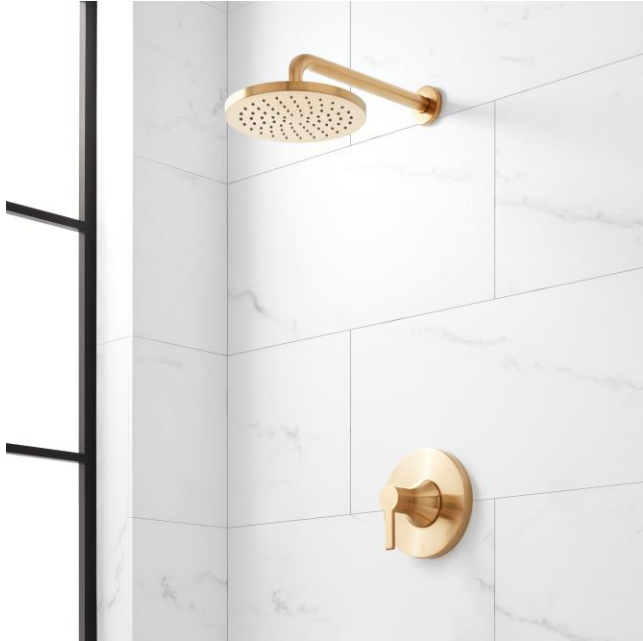


LENTZ PRESSURE BALANCE SHOWER SYSTEM WITH LEVER HANDLES

SKU: 953085-L

Code: SHLZ8010LH, SHLZLEV, SHRSB820RG, SHRSA123, SH4001



FEATURES

- Features: Pressure-Balanced
- Material: Brass
- Shape: Round
- Handle Type: Lever
- Installation Type: Wall Mount
- Shower Head Installation Type: Wall
- Shower Head Diameter: 8"
- Shower Head Material: ABS
- Shower Head Spray: Single Function
- Shower Arm Included: Yes
- Shower Head IPS: 1/2"
- Shower Head Swivel: Yes
- Valve Trim Width: 6-3/4"
- Valve Trim Height: 6-3/4"
- Shower Head Flow Rate: 1.8 gpm (6.8 L/min) @ 80 psi

WaterSense

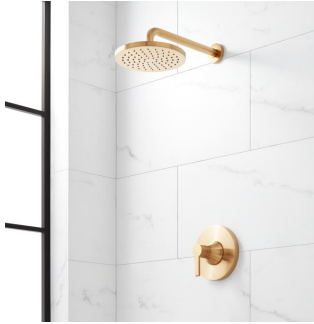


REVISED 8/29/2023

LENTZ PRESSURE BALANCE SHOWER SYSTEM WITH LEVER HANDLES

SKU: 953085-L

Code: SHLZ8010LH, SHLZLEV, SHRSB820RG, SHRSA123, SH4001

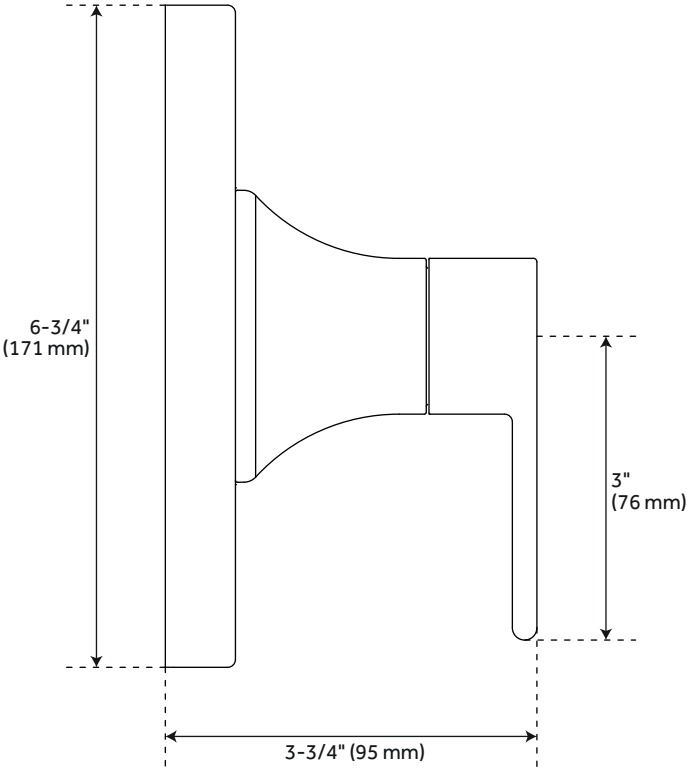
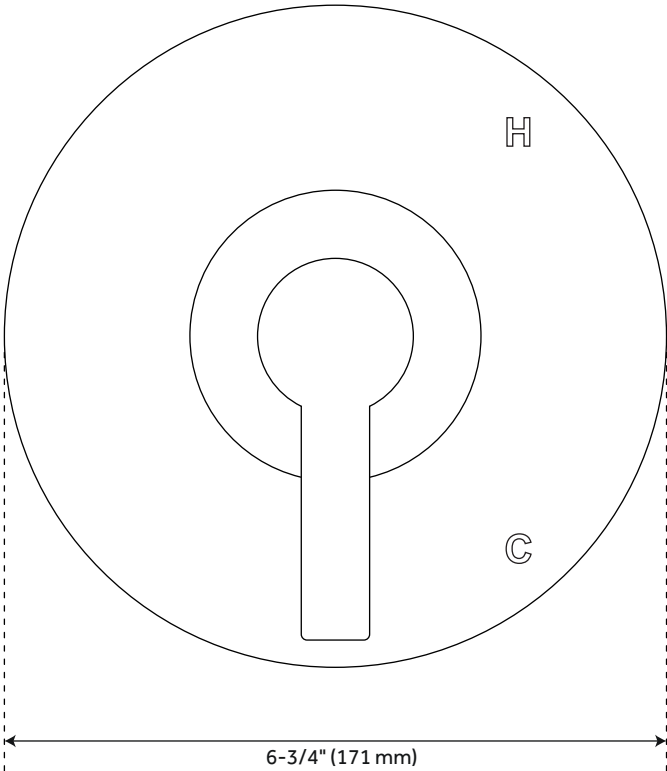


ADDITIONAL FEATURES

- All dimensions are ($\pm 1/2$ ").
- Metal handle.
- Single function shower head (full spray).
- Easy clean rubber nozzles.
- Brass ball-joint.
- Brass constructed shower arm.
- Optional Rough-in Valve:
 - Pressure balance valve with integral stops.
 - One-piece cartridge design for ease of maintenance.
 - Back-to-back capability.
 - Ceramic disc valve cartridge.
 - Cast bronze valve body.
 - Adjustable temperature limit stop.
 - Quick remove plaster guard.
 - Easy mounting brackets.

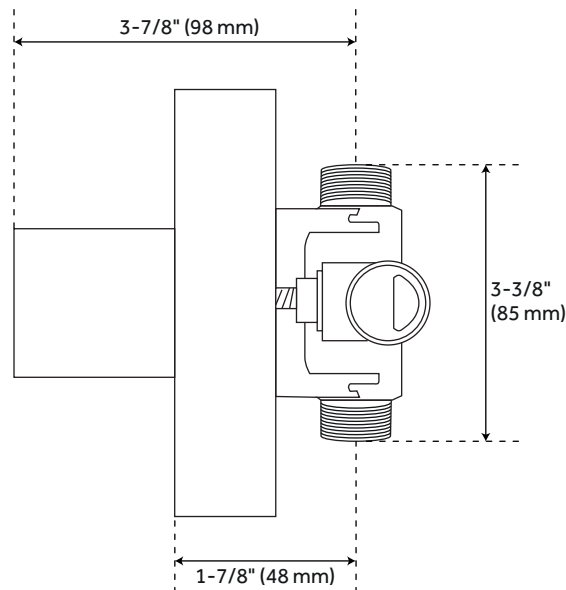
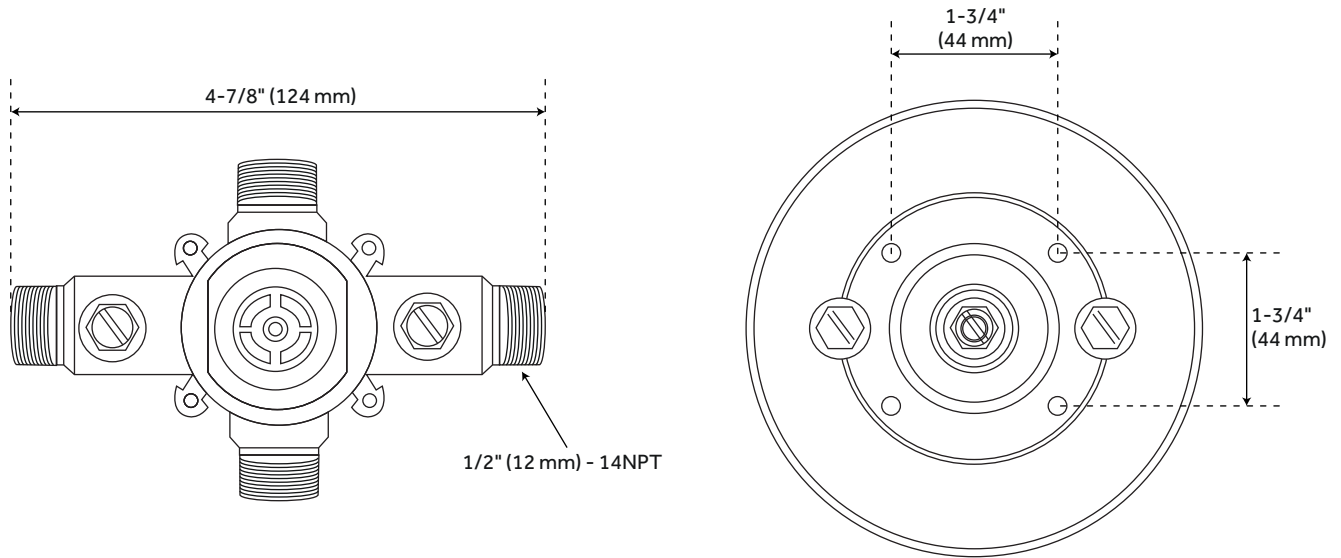
REVISED 8/29/2023

LENTZ PRESSURE BALANCE SHOWER VALVE TRIM



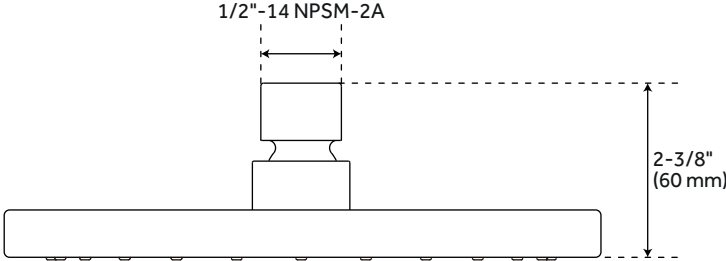
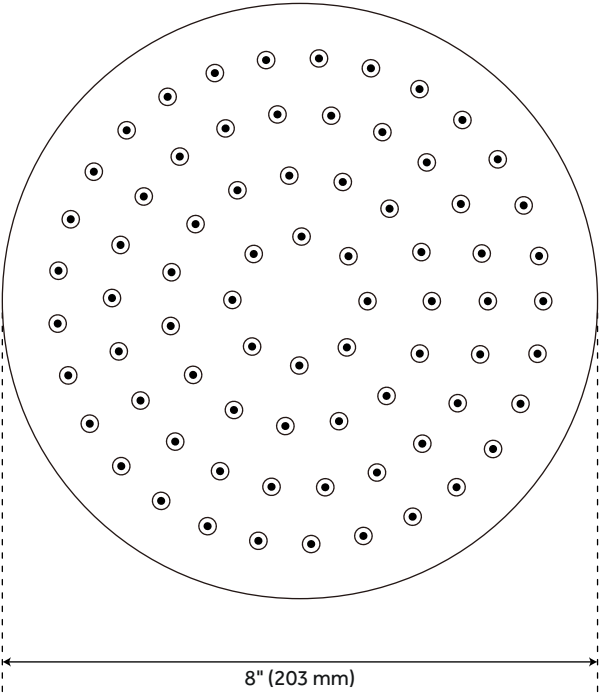
All dimensions and specifications are nominal and may vary. Use actual products for accuracy in critical situations.

LENTZ OPTIONAL PRESSURE BALANCE SHOWER ROUGH-IN VALVE



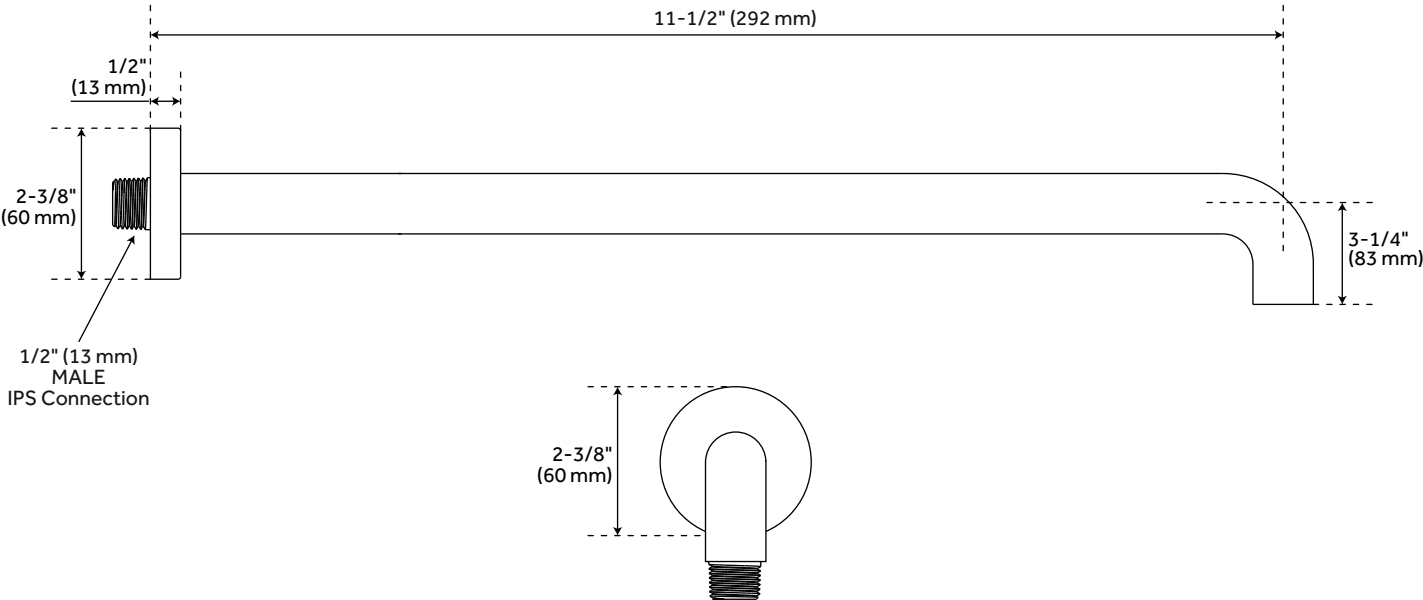
All dimensions and specifications are nominal and may vary. Use actual products for accuracy in critical situations.

LENTZ RAINFALL SHOWER HEAD



All dimensions and specifications are nominal and may vary. Use actual products for accuracy in critical situations.

WALL-MOUNT SHOWER ARM



All dimensions and specifications are nominal and may vary. Use actual products for accuracy in critical situations.