

LENTZ PRESSURE BALANCE SHOWER SYSTEM WITH HAND SHOWER - LEVER HANDLES

SKU: 953088-L

Code: SHLZ8010LH, SHLZLEV, SHLZ9005LH, SHLZTVLEV, SHH1010, SHHS4030G, SHRSB820RG, SHRSA123, SHWE2040, SHSB3040, SH4001, SH6103



FEATURES

Features: Hand Shower Included

Material: Brass

Assembly Required: No

Shape: Round

Handle Type: Lever

Installation Type: Wall Mount

Shower Head Installation Type: Wall

Shower Head Diameter: 8"

Shower Head Material: ABS

Shower Head Spray: Single Function

Shower Arm Included: Yes

Shower Head IPS: 1/2"

Shower Head Swivel: Yes

Hand Shower Hose Length: 60"

Hand Shower Flow Rate: 1.8 gpm (6.8 L/min) @ 80 psi

Water Connection Included: Yes

Diverter Included: Yes

Diverter Outlets: 3

Shower Head Flow Rate: 1.8 gpm (6.8 L/min) @ 80 psi

WaterSense



REVISED 8/29/2023

LENTZ PRESSURE BALANCE SHOWER SYSTEM WITH HAND SHOWER - LEVER HANDLES

SKU: 953088-L

Code: SHLZ8010LH, SHLZLEV, SHLZ9005LH, SHLZTVLEV, SHH1010, SHHS4030G, SHRSB820RG, SHRSA123, SHWE2040, SHSB3040, SH4001, SH6103

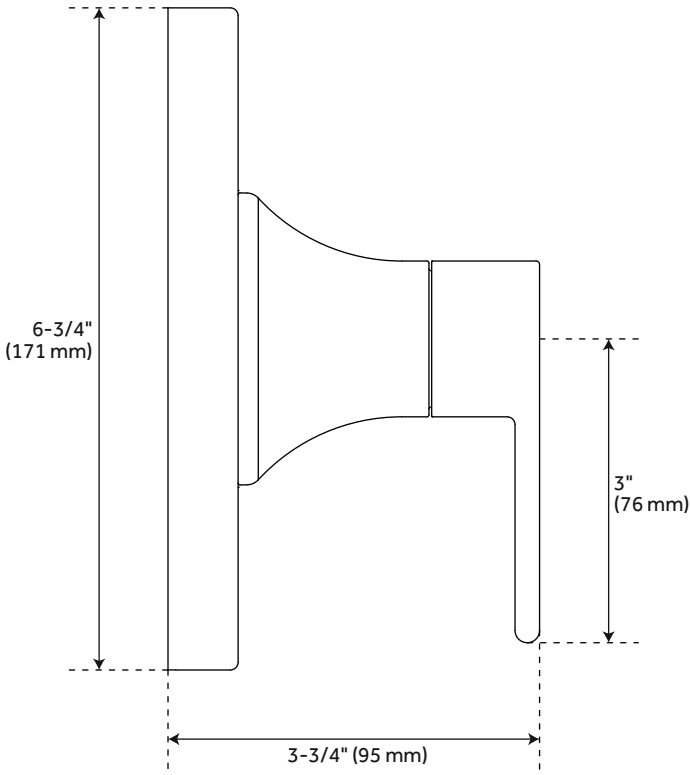
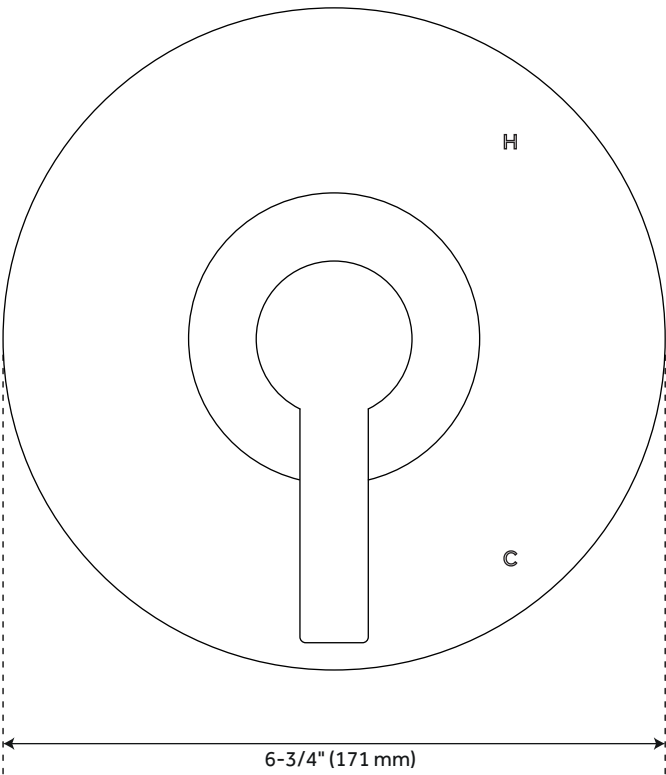


ADDITIONAL FEATURES

- All dimensions are ($\pm 1/2$ ").
- Metal handle.
- Single function shower head (full spray).
- Easy clean rubber nozzles.
- Brass ball-joint.
- Brass constructed shower arm.
- Water supply elbow:
 - 1/2" Female wall connection.
 - 1/2" Male hose connection.
- Optional pressure balance rough-in valve:
 - Pressure balance valve with integral stops.
 - One-piece cartridge design for ease of maintenance.
 - Back-to-back capability.
 - Ceramic disc valve cartridge.
 - Cast bronze valve body.
 - Adjustable temperature limit stop.
 - Quick remove plaster guard.
 - Easy mounting brackets.
- Optional diverter rough-in valve:
 - Six total settings allow for shared water flow between outlets, giving you the ability to use two functions at once.
 - Ceramic cartridge.
 - Available Single-Function Diverter Valve Cartridge restricts water flow to one outlet at a time.
 - For installations only requiring 2 outlets, the 3rd outlet may be looped into one of the existing pipes.
 - Brass valve body.

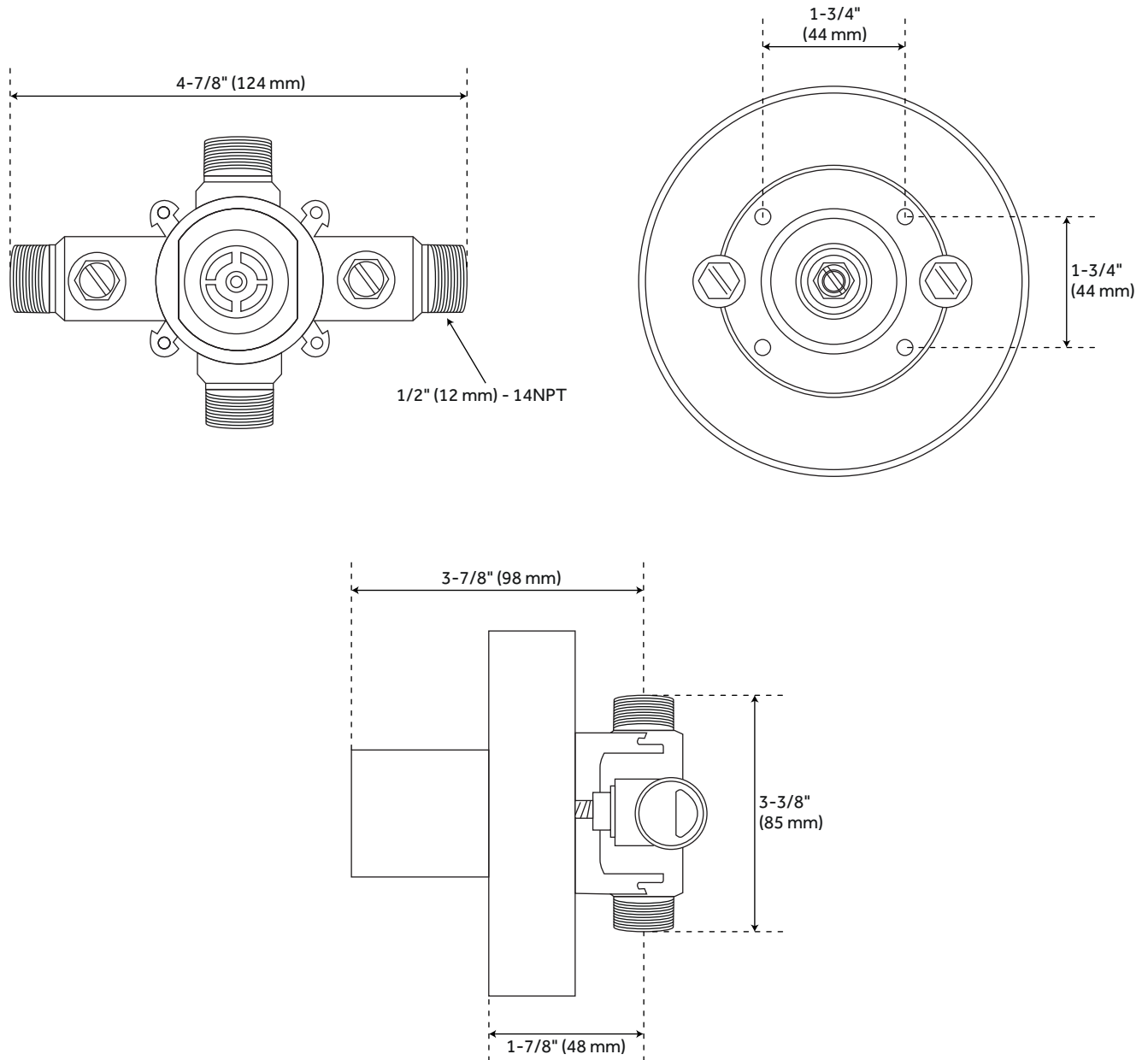
REVISED 8/29/2023

LENTZ PRESSURE BALANCE SHOWER VALVE TRIM



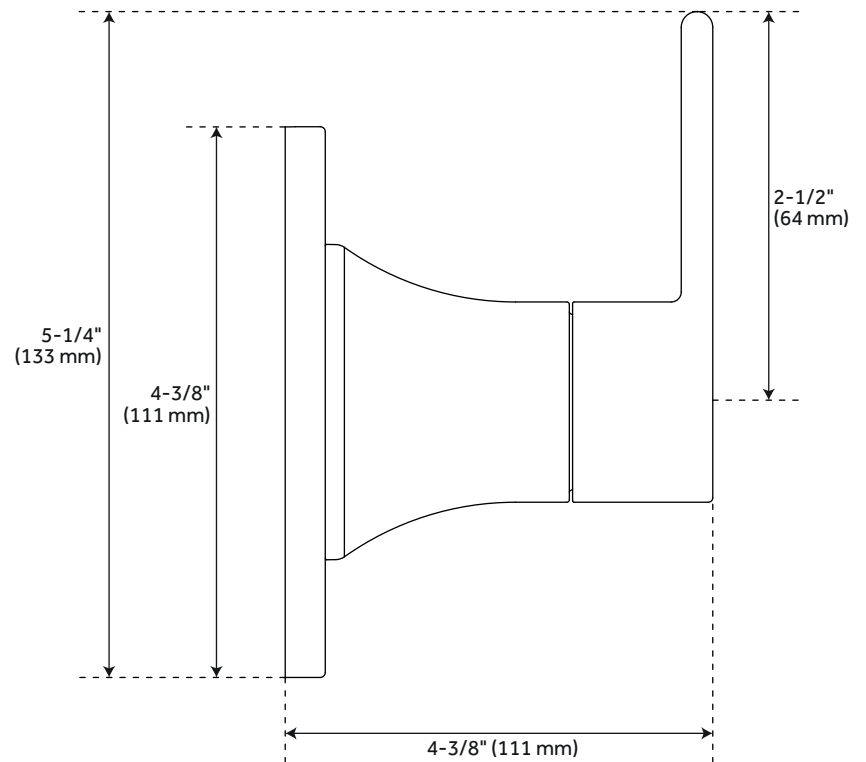
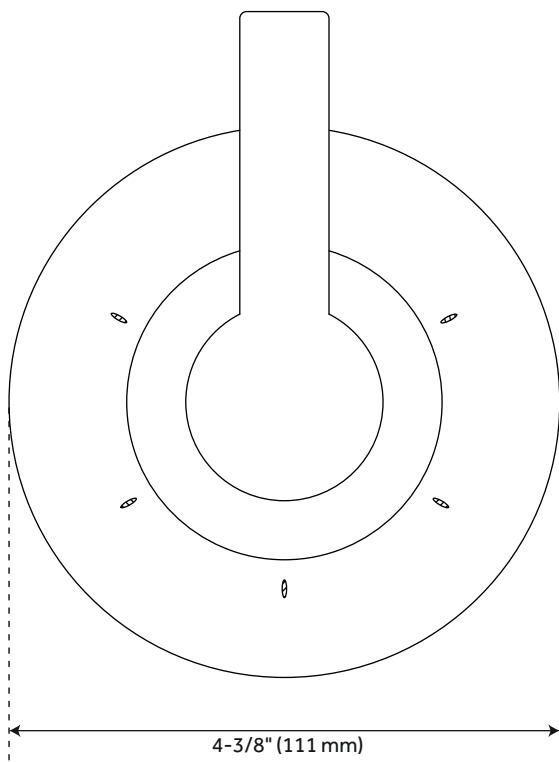
All dimensions and specifications are nominal and may vary. Use actual products for accuracy in critical situations.

LENTZ OPTIONAL PRESSURE BALANCE SHOWER ROUGH-IN VALVE



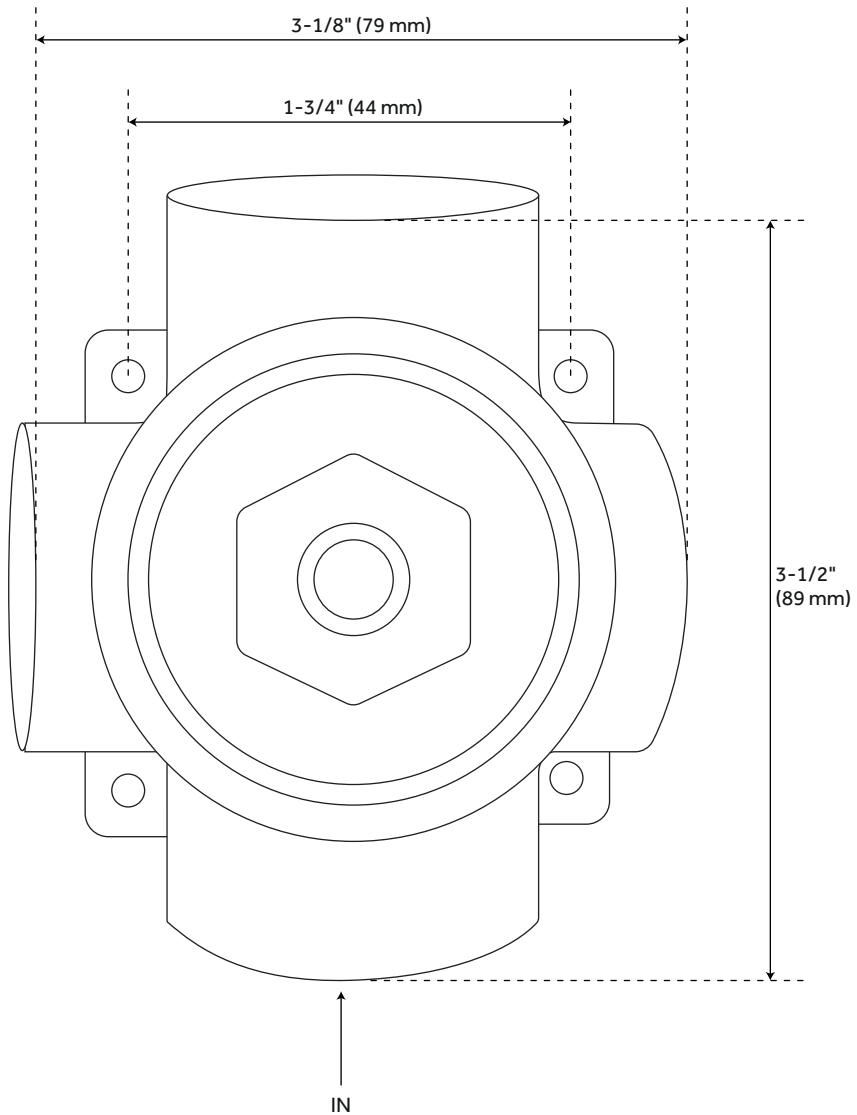
All dimensions and specifications are nominal and may vary. Use actual products for accuracy in critical situations.

LENTZ 3-WAY IN-WALL DIVERTER VALVE TRIM



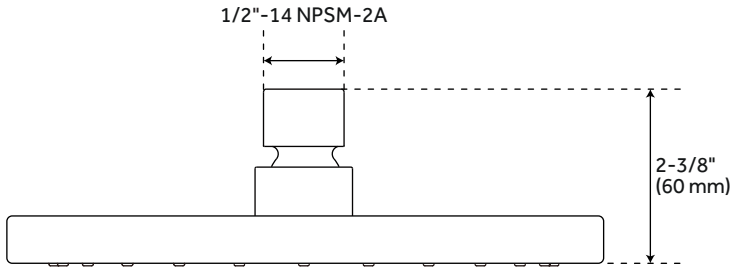
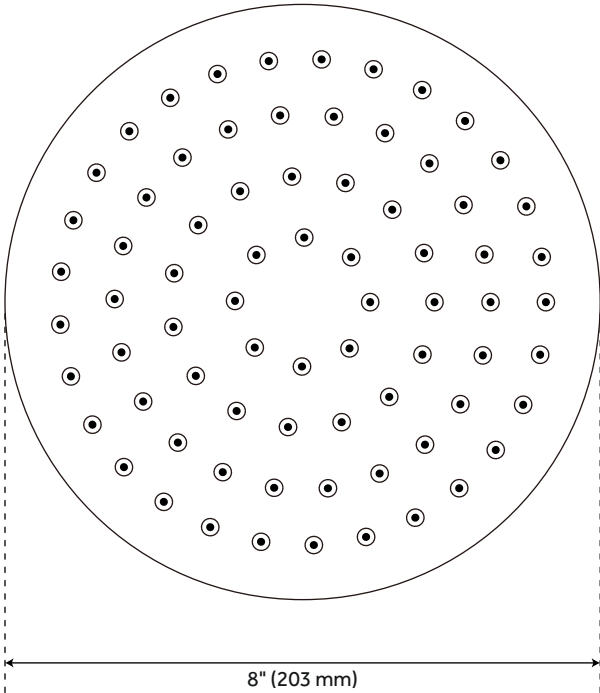
All dimensions and specifications are nominal and may vary. Use actual products for accuracy in critical situations.

LENTZ OPTIONAL DIVERTER ROUGH-IN VALVE



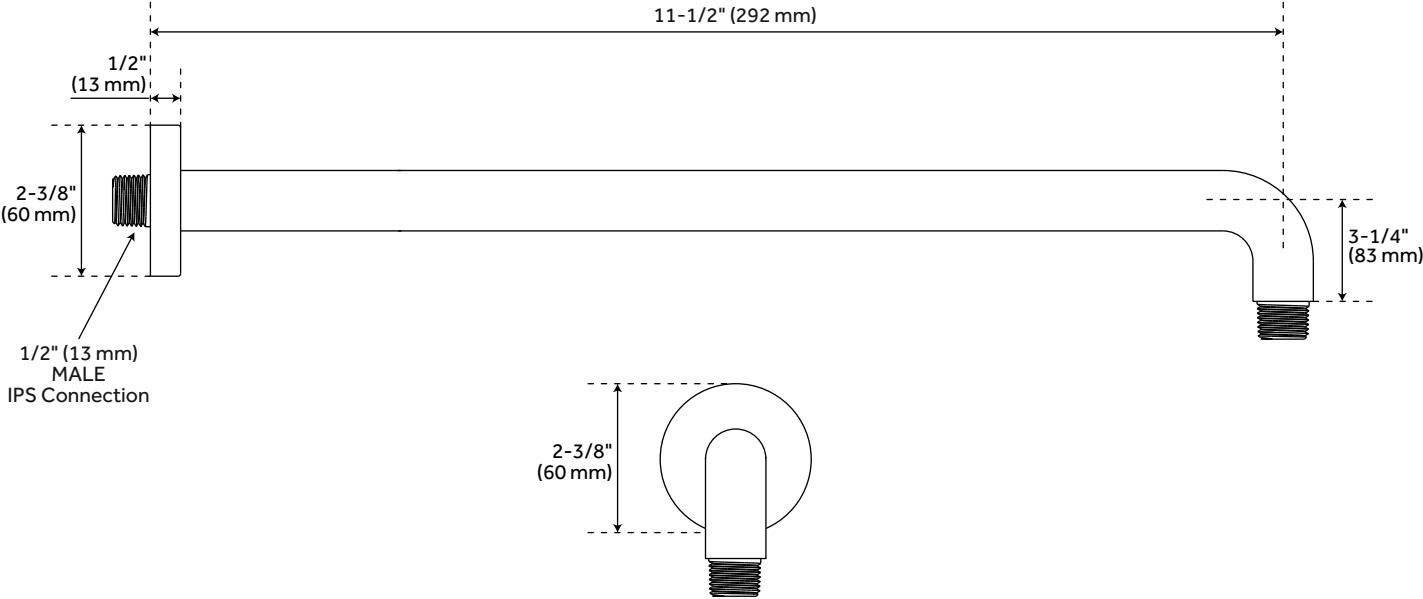
All dimensions and specifications are nominal and may vary. Use actual products for accuracy in critical situations.

LENTZ RAINFALL SHOWER HEAD



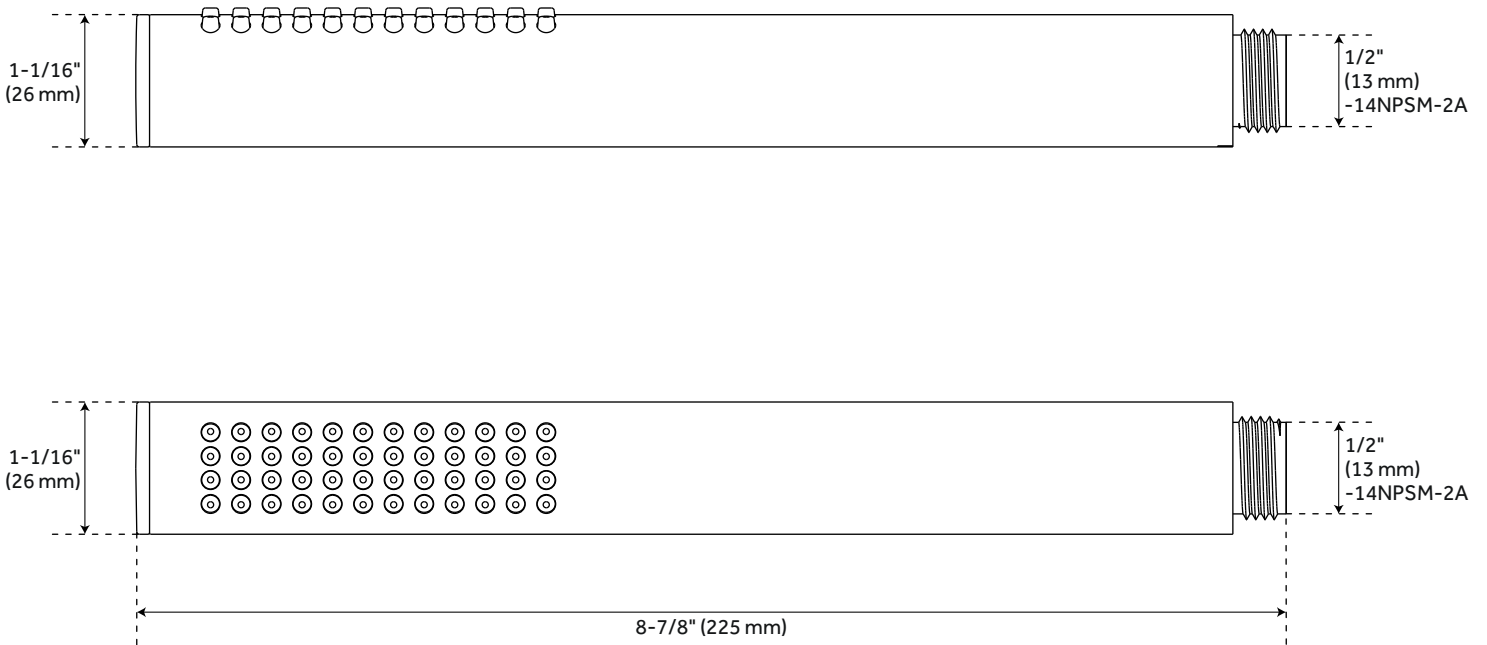
All dimensions and specifications are nominal and may vary. Use actual products for accuracy in critical situations.

WALL-MOUNT SHOWER ARM



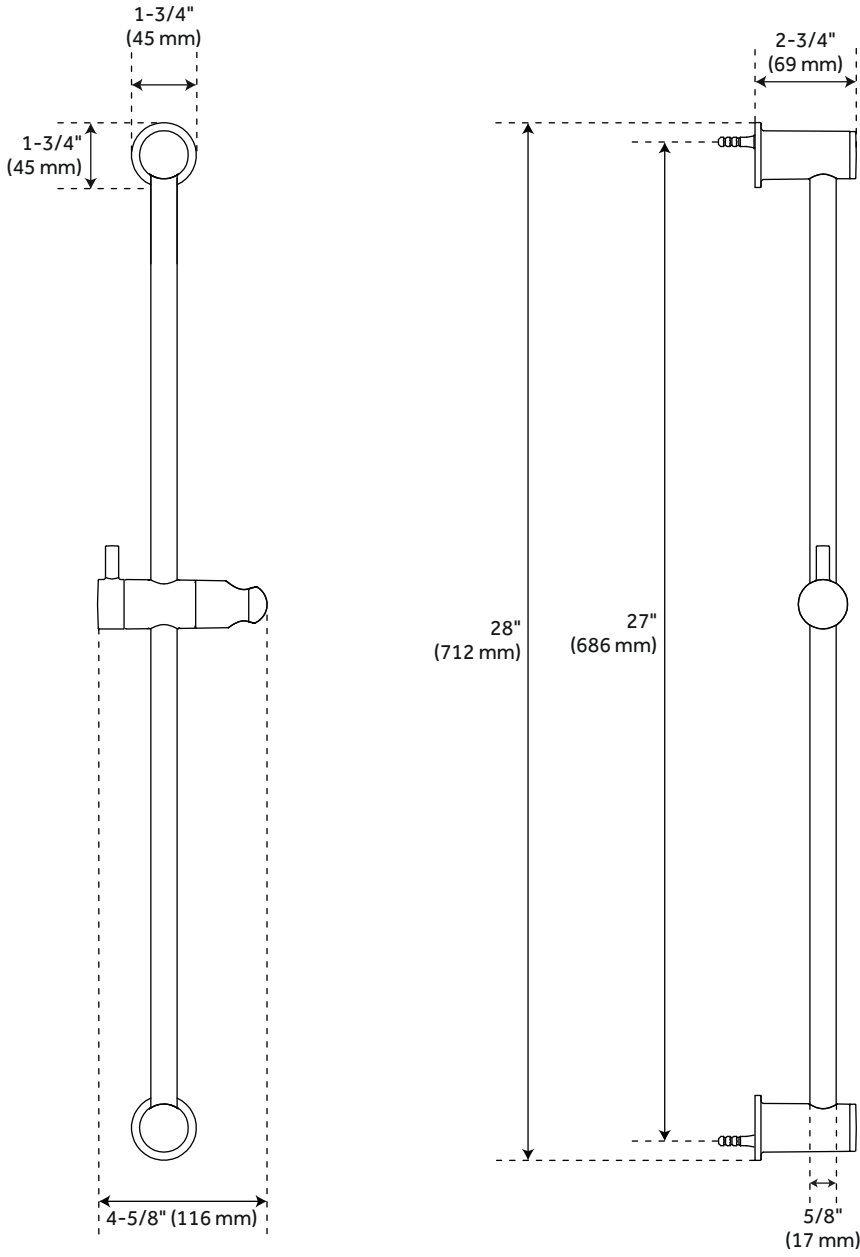
All dimensions and specifications are nominal and may vary. Use actual products for accuracy in critical situations.

LENTZ HAND SHOWER



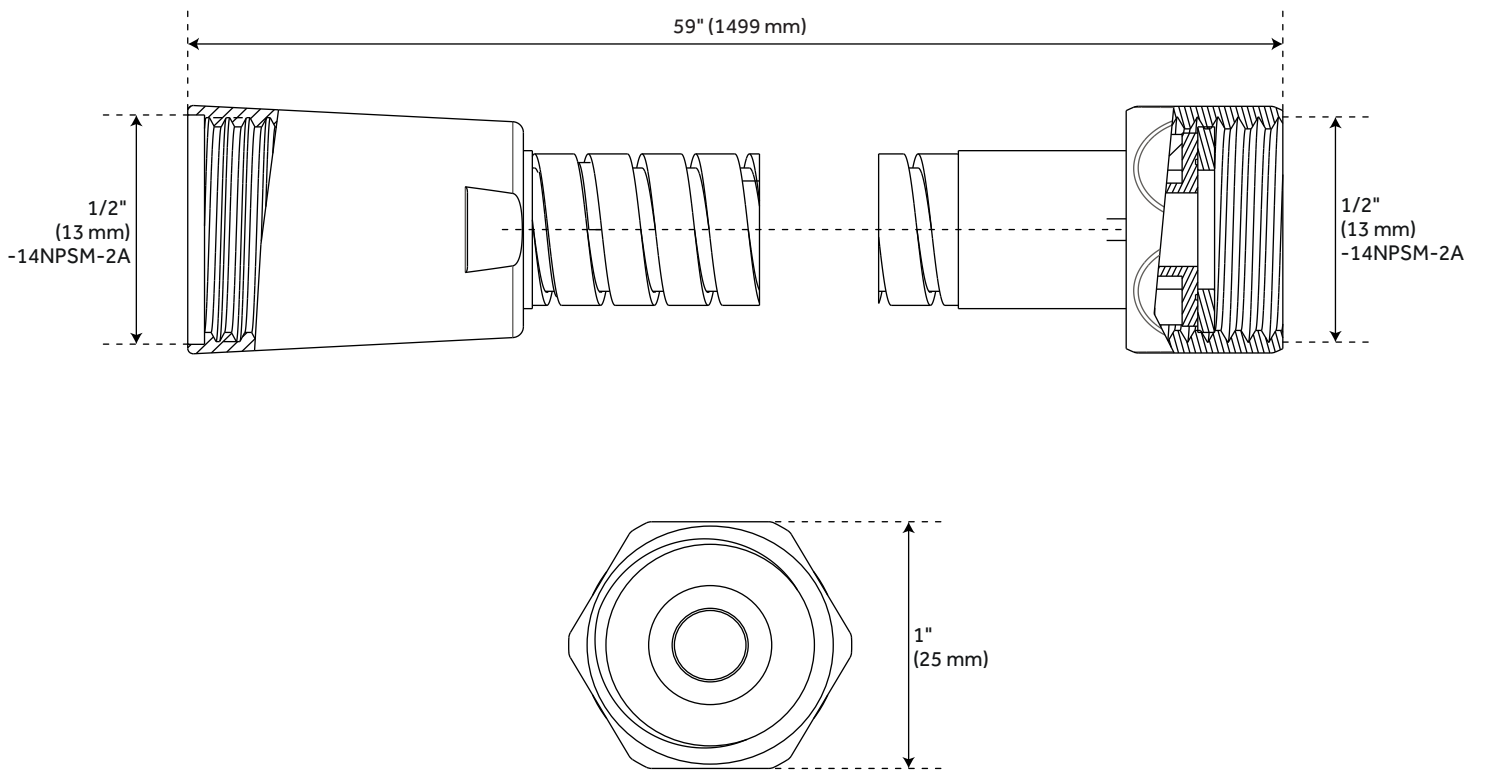
All dimensions and specifications are nominal and may vary. Use actual products for accuracy in critical situations.

LENTZ SLIDE BAR



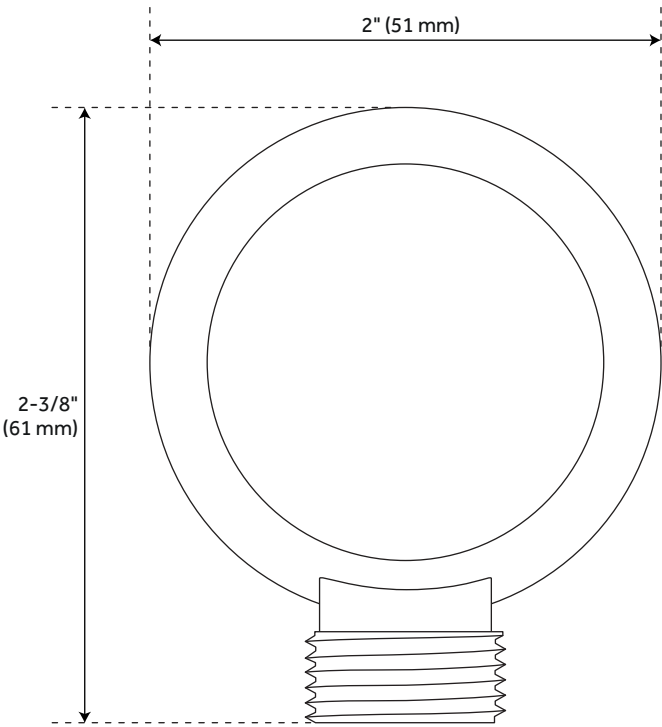
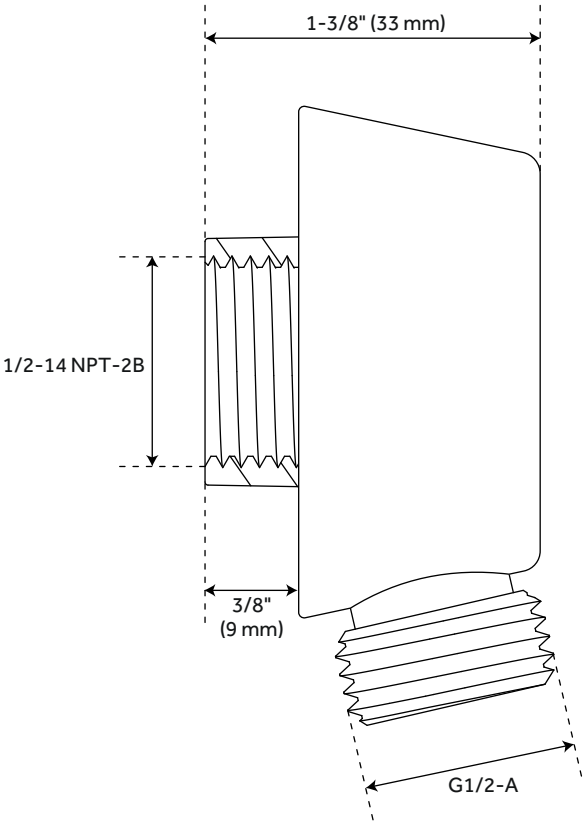
All dimensions and specifications are nominal and may vary. Use actual products for accuracy in critical situations.

LENTZ HAND SHOWER HOSE



All dimensions and specifications are nominal and may vary. Use actual products for accuracy in critical situations.

LENTZ WATER SUPPLY ELBOW



All dimensions and specifications are nominal and may vary. Use actual products for accuracy in critical situations.