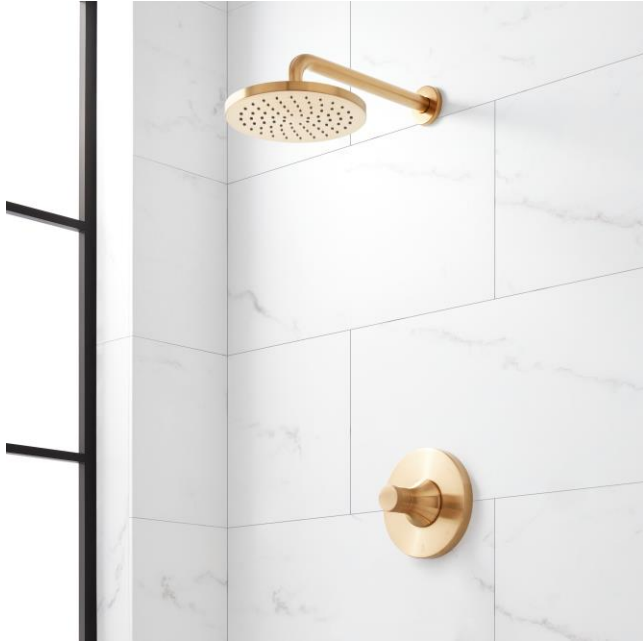


# LENTZ PRESSURE BALANCE SHOWER SYSTEM WITH KNOB HANDLES

SKU: 953085-K

Code: SHLZ8010LH, SHLZKNOB, SHRSB820RG, SHRSA123, SH4001



## FEATURES

Features: Pressure-Balanced  
Material: Brass  
Assembly Required: No  
Shape: Round  
Handle Type: Knob  
Installation Type: Wall Mount  
Shower Head Installation Type: Wall  
Shower Head Diameter: 8"  
Shower Head Material: ABS  
Shower Head Spray: Single Function  
Shower Arm Included: Yes  
Shower Head IPS: 1/2"  
Shower Head Swivel: Yes  
Valve Trim Width: 6-3/4"  
Valve Trim Height: 6-3/4"  
Shower Head Flow Rate: 1.8 gpm (6.8 L/min) @ 80 psi

WaterSense



REVISED 8/29/2023

# LENTZ PRESSURE BALANCE SHOWER SYSTEM WITH KNOB HANDLES

SKU: 953085-K

Code: SHLZ8010LH, SHLZKNOB, SHRSB820RG, SHRSA123, SH4001

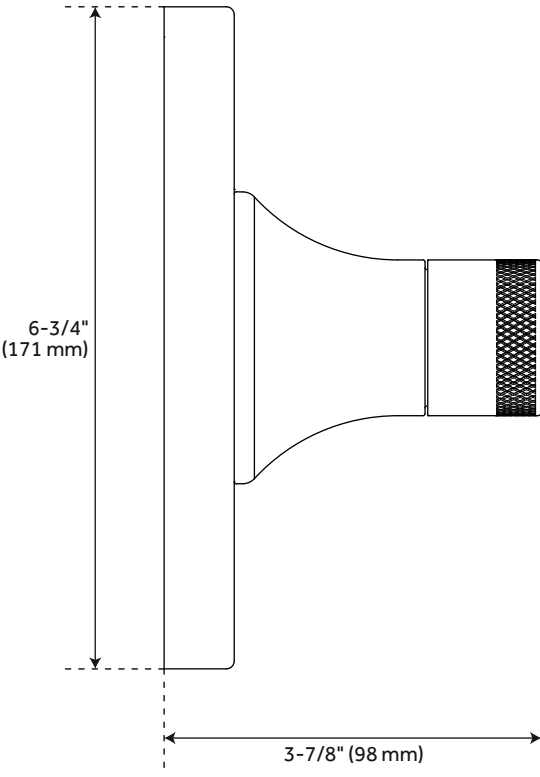
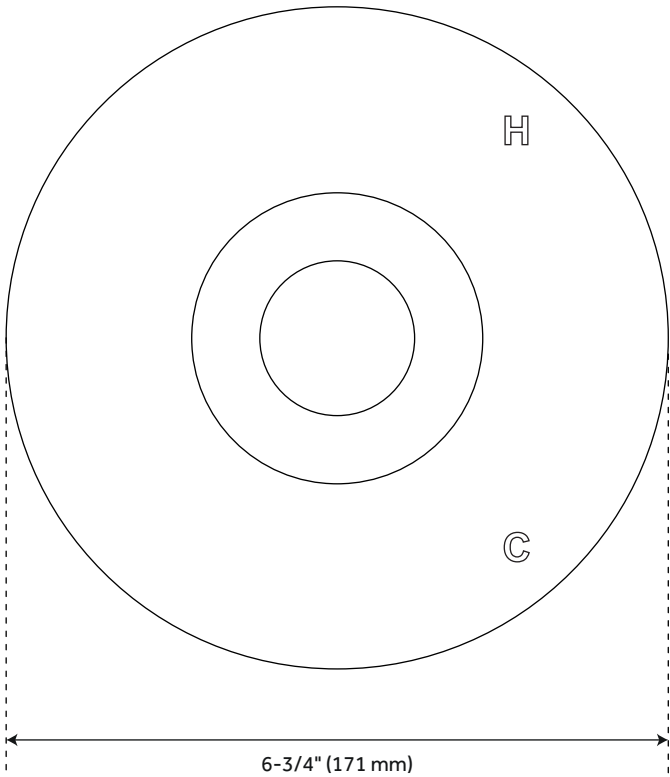


## ADDITIONAL FEATURES

- All dimensions are ( $\pm 1/2$ ").
- Metal handle.
- Single function shower head (full spray).
- Easy clean rubber nozzles.
- Brass ball-joint.
- Brass constructed shower arm.
- Optional Rough-in Valve:
  - Pressure balance valve with integral stops.
  - One-piece cartridge design for ease of maintenance.
  - Back-to-back capability.
  - Ceramic disc valve cartridge.
  - Cast bronze valve body.
  - Adjustable temperature limit stop.
  - Quick remove plaster guard.
  - Easy mounting brackets.

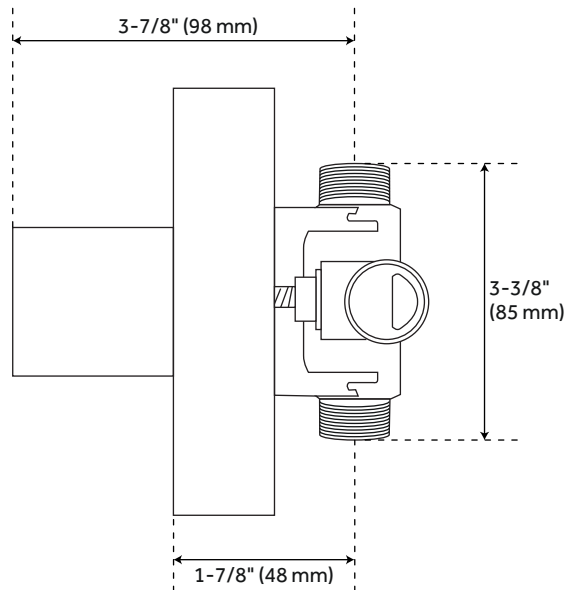
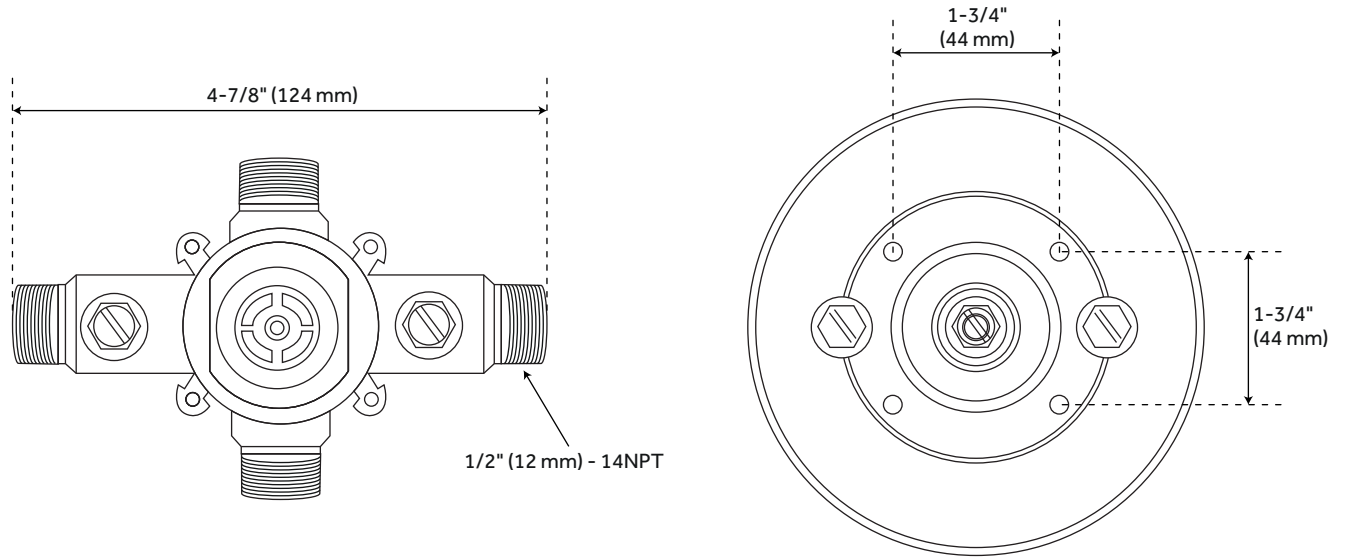
REVISED 8/29/2023

# LENTZ PRESSURE BALANCE SHOWER VALVE TRIM



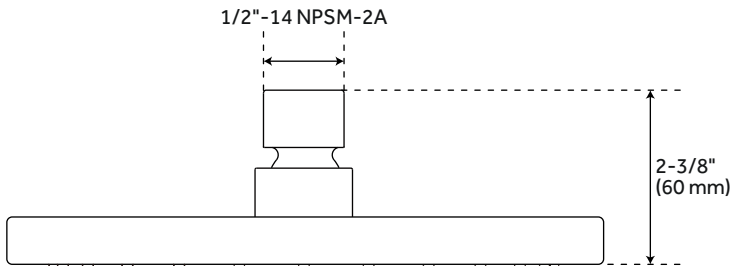
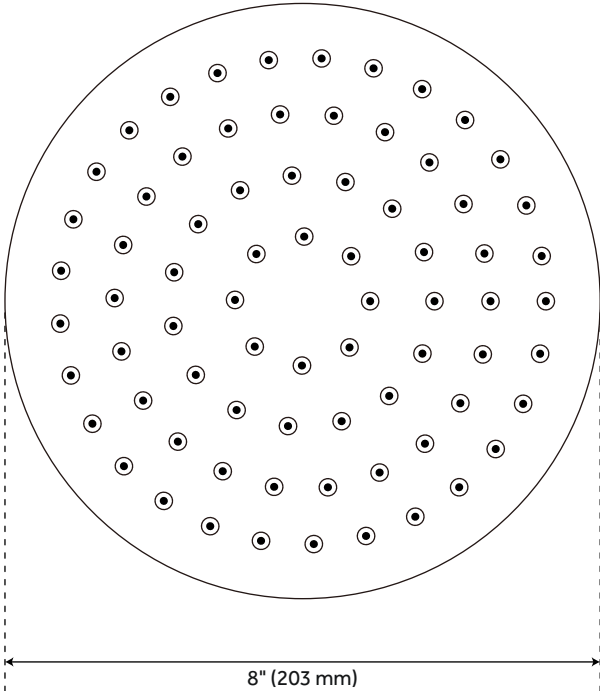
All dimensions and specifications are nominal and may vary. Use actual products for accuracy in critical situations.

# LENTZ OPTIONAL PRESSURE BALANCE SHOWER ROUGH-IN VALVE



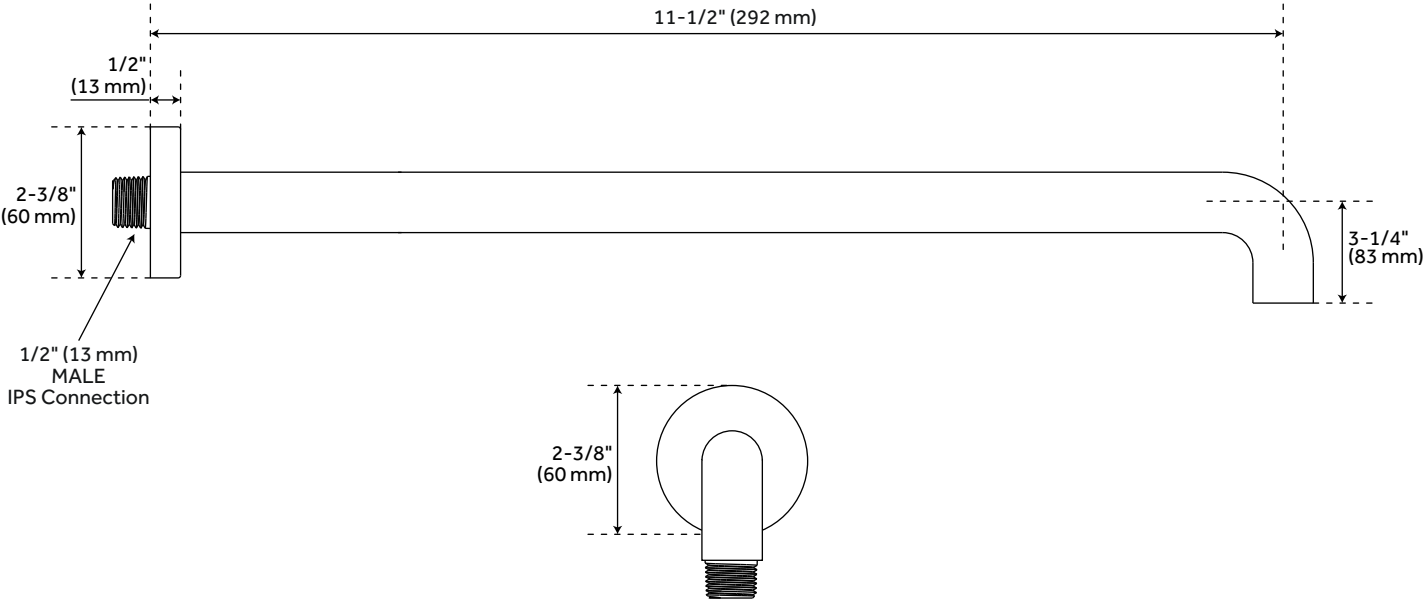
All dimensions and specifications are nominal and may vary. Use actual products for accuracy in critical situations.

# LENTZ RAINFALL SHOWER HEAD



All dimensions and specifications are nominal and may vary. Use actual products for accuracy in critical situations.

# WALL-MOUNT SHOWER ARM



All dimensions and specifications are nominal and may vary. Use actual products for accuracy in critical situations.