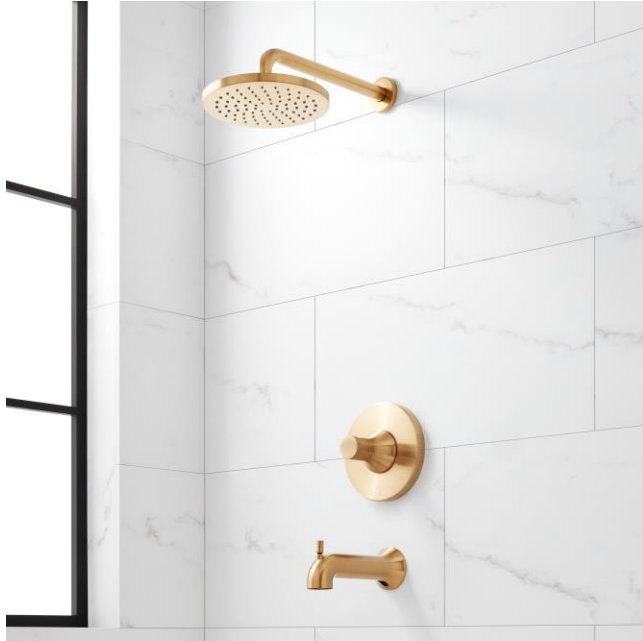


# LENTZ PRESSURE BALANCE TUB AND SHOWER SYSTEM - KNOB HANDLES

SKU: 953086-K

Code: SHLZ8010LH, SHLZKNOB, SHRSB820RG, SHRSA120, SHTS72, SHRSA123, SH4001



## FEATURES

Material: Brass

Shower Head Swivel: Yes

Flow Rate: 18.2 gpm (68.9 L/min) @ 80 psi

Connection Type: 1/2" MIP and SWT

Cartridge Type: Ceramic Disc

ASME A112.18.1/CSA B125.1, ASSE 1016 Type P, CEC Listed, WaterSense by IAPMO, Massachusetts Accepted, LISTED ID: SHLZ8010LH\*, SHLZPBKNob\*, SHTS72\*, SHRSB820RG\*, SHRSA120xy, SH4001, SHRSA123\*



## ADDITIONAL FEATURES

- All dimensions are ( $\pm 1/2$ ").
- Metal handle.
- Single function shower head (full spray).
- Easy clean rubber nozzles.
- Brass ball-joint.
- Brass constructed shower arm.
- 1/2" Slip-fit connection tub spout.
- Optional Rough-in Valve:
  - Pressure balance valve with integral stops.
  - One-piece cartridge design for ease of maintenance.
  - Back-to-back capability.
  - Ceramic disc valve cartridge.
  - Cast bronze valve body.

REVISED 5/29/2024

# LENTZ PRESSURE BALANCE SHOWER VALVE TRIM - KNOB HANDLE

SKU: 951351

Code: SHLZ8010LH, SHLZKNOB, SH4001



## FEATURES

Material: Brass

Required for Installation: Rough-in valve: SH4001

IAPMO PMG, ASME A112.18.1/CSA B125.1, ASSE 1016 Type P, Massachusetts Accepted, LISTED ID: SHLZ8010LH\*, SHLZPBKNOB\*, SH4001



## ADDITIONAL FEATURES

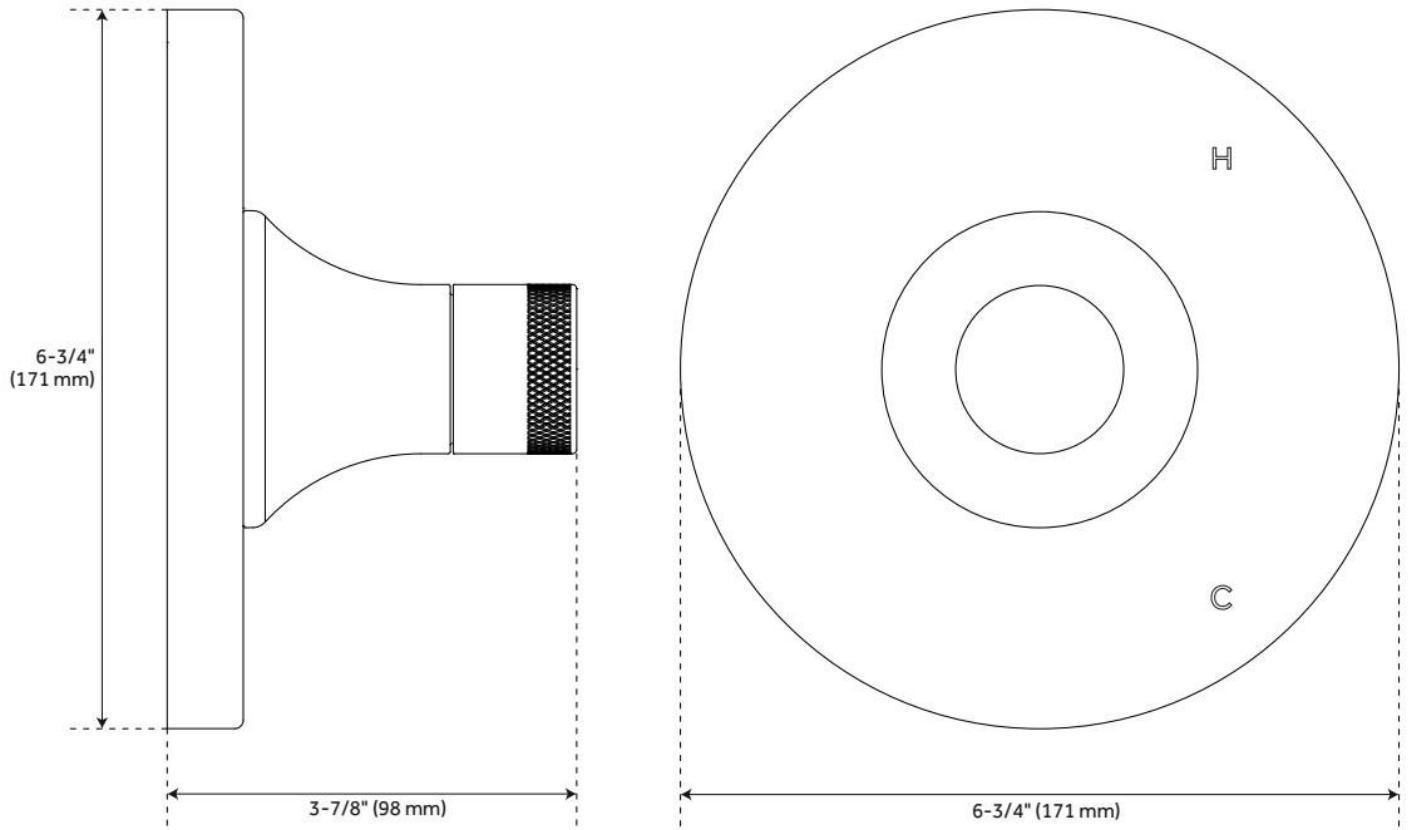
- Metal Handle.
- Optional Rough-in Valve:
  - Pressure balance valve with integral stops.
  - One-piece cartridge design for ease of maintenance.
  - Back-to-back capability.
  - Ceramic disc valve cartridge.
  - Cast bronze valve body.
  - Adjustable temperature limit stop.
  - Quick remove plaster guard.
  - Easy mounting brackets.

REVISED 5/29/2024

# LENTZ PRESSURE BALANCE SHOWER VALVE TRIM - KNOB HANDLE

SKU: 951351

Code: SHLZ8010LH, SHLZKNOB, SH4001



REVISED 5/29/2024

# 8" MODERN ROUND RAINFALL SHOWER HEAD - 1.75 GPM

SKU: 948948-18

Code: SHRSB820RG, SH484203, SH485499, SHRSB820RGPB



## FEATURES

Material: ABS

Shower Head Swivel: Yes

Flow Rate: 1.75 gpm (6.6 L/min) @ 80 psi

ASME A112.18.1/CSA B125.1, CEC Listed, WaterSense by IAPMO, Massachusetts Accepted, LISTED ID:  
SHRSB820RG\*

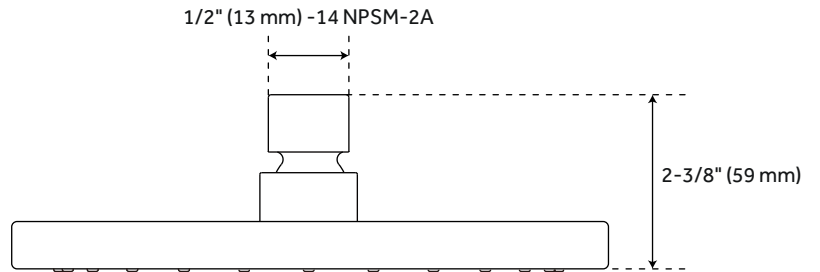
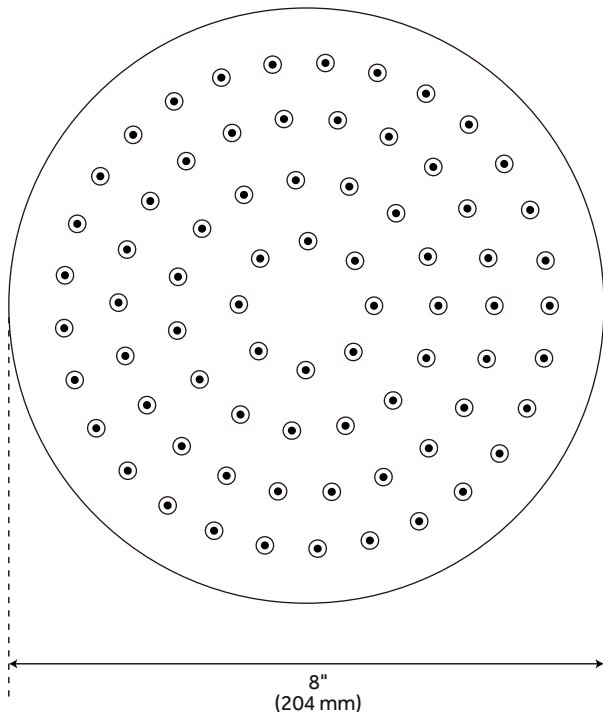


## ADDITIONAL FEATURES

- Single function shower head (full spray).
- Easy clean rubber nozzles.
- Brass ball joint.

REVISED 11/22/2024

# 8" MODERN ROUND RAINFALL SHOWER HEAD - 1.75 GPM



All dimensions and specifications are nominal and may vary. Use actual products for accuracy in critical situations.

# WALL-MOUNT RAINFALL SHOWER ARM

SKU: 948955

Code: SHRSA123, SHRSA181, SH485514, SHRSA150

## FEATURES

Material: Stainless Steel

Connection Type: 1/2" NPT



ASME A112.18.1/CSA B125.1, Massachusetts Accepted, LISTED ID: SHRSA123\*, SHRSA181\*, SHRSA150\*



## ADDITIONAL FEATURES

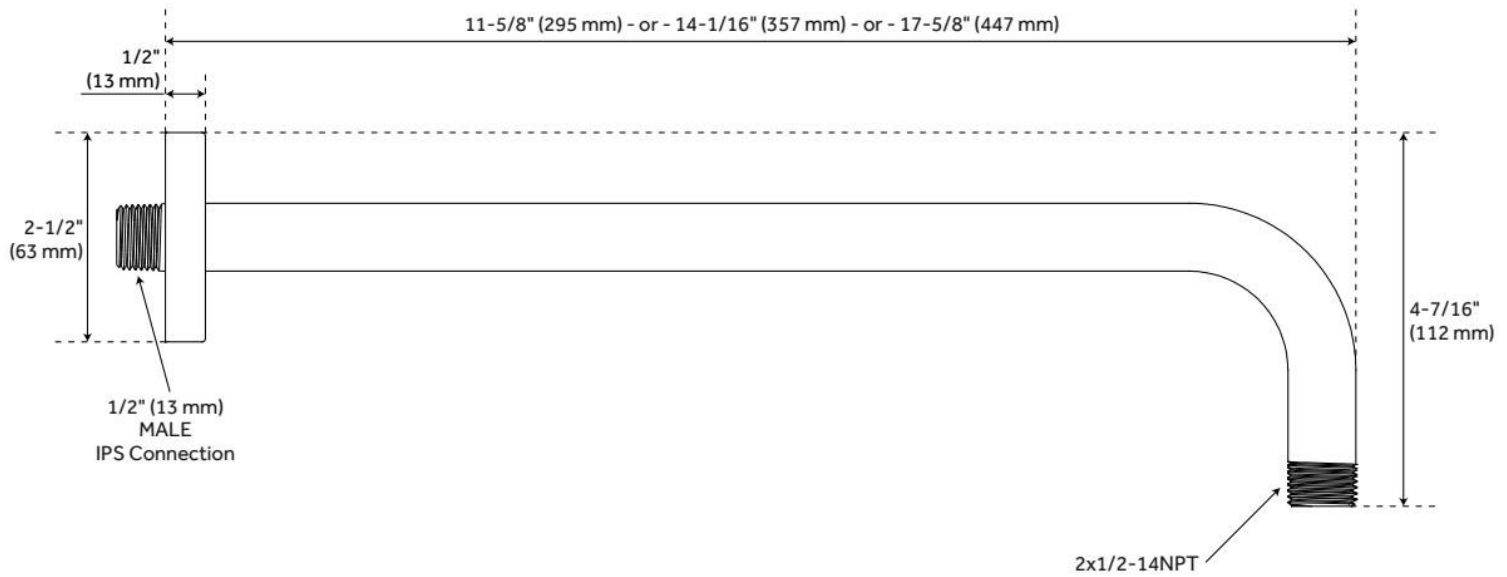
- All dimensions are ( $\pm 1/2"$ ).
- Escutcheon included.

REVISED 5/29/2024

# WALL-MOUNT RAINFALL SHOWER ARM

SKU: 948955

Code: SHRSA123, SHRSA181, SH485514, SHRSA150



REVISED 5/29/2024

# LENTZ TUB SPOUT WITH DIVERTER

SKU: 951354  
Code: SHTS72



## FEATURES

Material: Metal  
Connection Type: 1/2" CTS Slip-Fit  
Faucet Centers: Single-Hole

IAPMO PMG, ASME A112.18.1/CSA B125.1, CEC Listed, Massachusetts Accepted, LISTED ID: SHTS72\*



## ADDITIONAL FEATURES

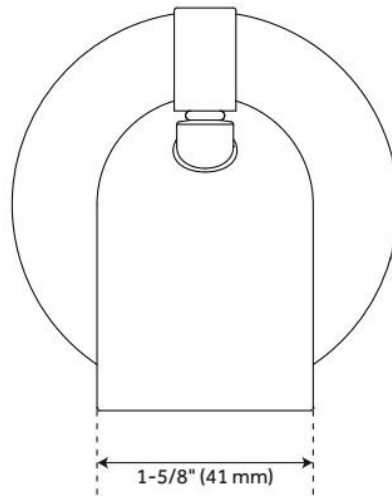
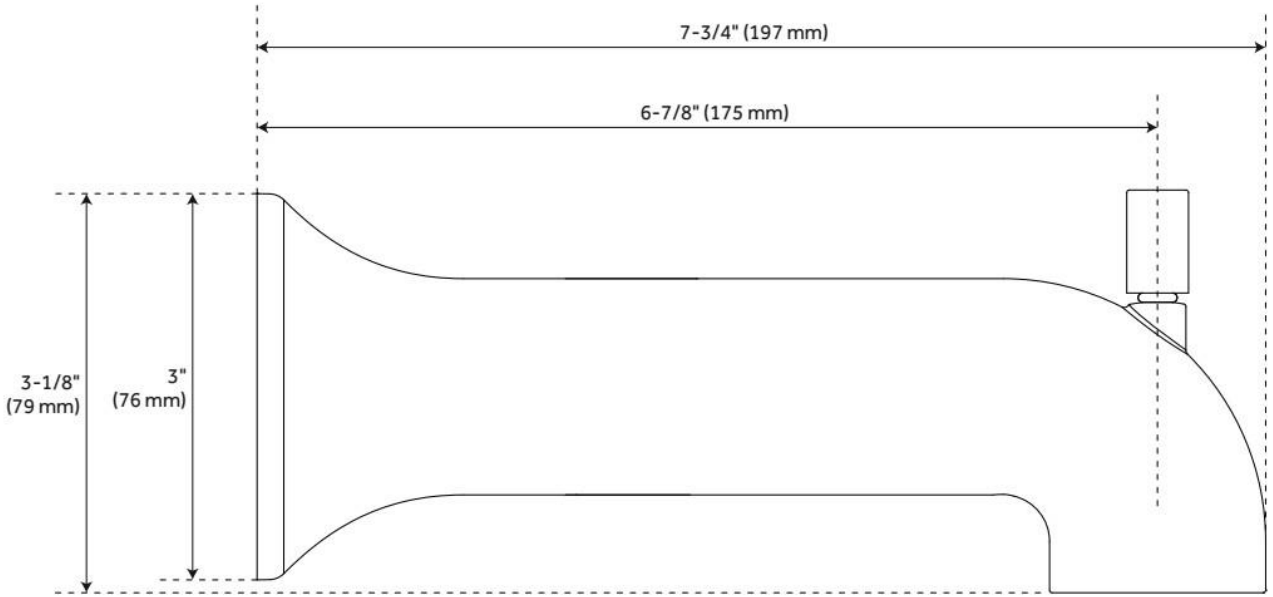
- 1/2" Slip Fit Connection.

REVISED 5/29/2024



# LENTZ TUB SPOUT WITH DIVERTER

SKU: 951354  
Code: SHTS72



REVISED 5/29/2024

# PRESSURE BALANCE TUB & SHOWER ROUGH-IN VALVE

SKU: 446520  
Code: SH4001



## FEATURES

Material: Brass  
Flow Rate: 6.34 gpm (24.0 L/min) @ 80 psi  
Connection Type: 1/2" MIP and SWT  
Cartridge Type: Ceramic Disc

IAPMO, ASME A112.18.1/CSA B125.1, ASSE 1016 Type P, Massachusetts Accepted, LISTED ID: SH4001



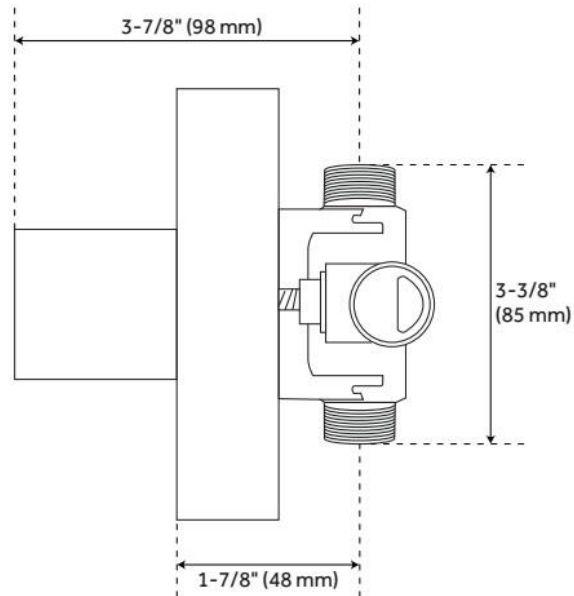
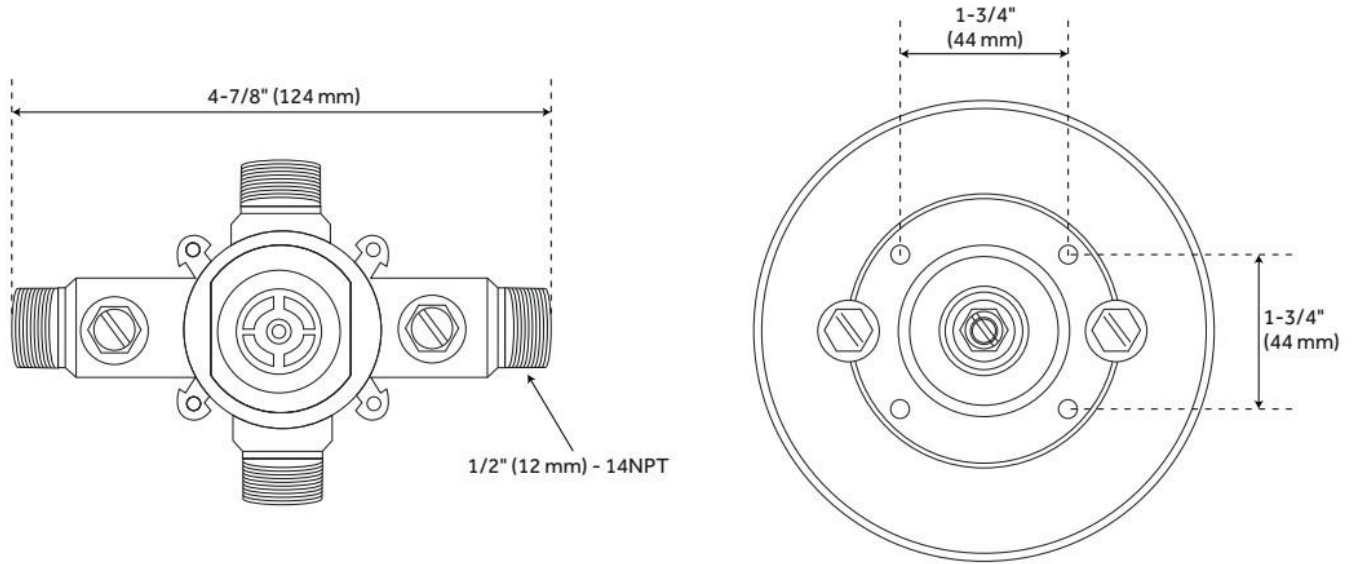
## ADDITIONAL FEATURES

- Pressure balance valve with integral stops.
- One-piece ceramic cartridge design for ease of maintenance.
- Back-to-back capability
- Adjustable temperature limit stop.
- Quick remove plaster guard and easy mounting brackets.

REVISED 11/27/2024

# PRESSURE BALANCE TUB & SHOWER ROUGH-IN VALVE

SKU: 446520  
Code: SH4001



REVISED 11/27/2024