



McGuire Manufacturing Co., Inc.

60 Grandview Court

Cheshire, Connecticut 06410

(203) 699-1801 Fax (203) 699-1813

customerservice@mcguiremfg.com mcguiremfg.com

PRODUCT SPECIFICATION

Part No.

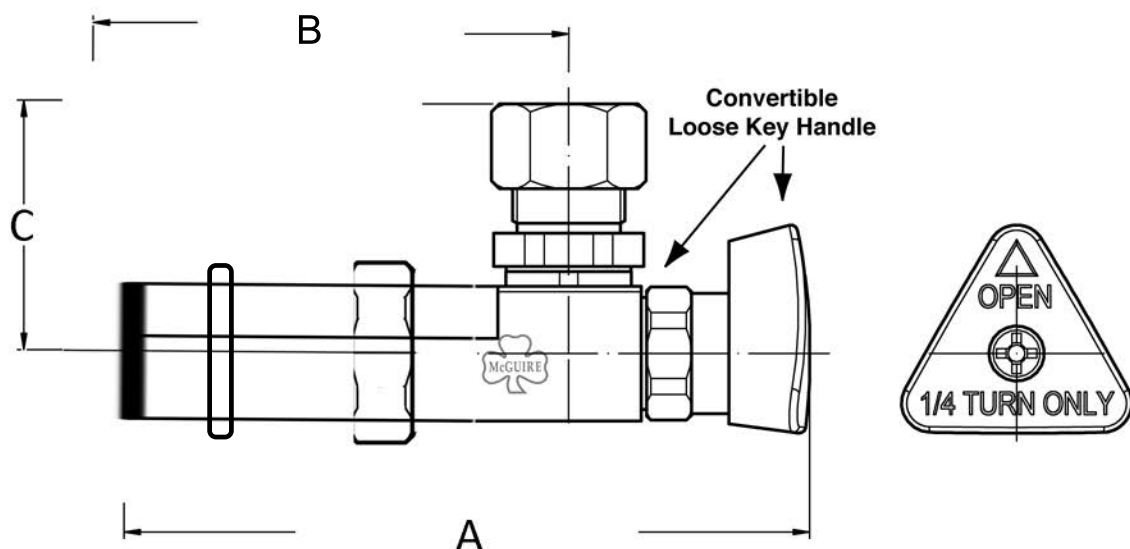
LFBV2-PP50

MCG Press Angle Stop
Quarter Turn Ball Valve

Job Name:

Submittal Number:

MCG Press Valve - 1/2 in connection



Part #	Description	A	B	C
LFBV2-PP38	1/4 TURN BALL VALVE PRESS ANGLE STOP 3/8	3-3/4 in	2-1/2 in	1-1/2 in
LFBV2-PP50	1/4 TURN BALL VALVE PRESS ANGLE STOP 1/2	3-3/4 in	2-1/2 in	1-1/2 in

- Rated Operating Pressure: 20-125 PSI
- Rated Operating Temperature: 40-140°F
- Note: 180°F max. during temporary high-temperature system flush



ASME A112.18.1

Specifications:

Lead free convertible quarter-turn brass ball valve, with press style connection. Chrome plated commercial valve with convertible loose key handle. Supply stop valve shall be McGuire _____ . Supply stop valve shall be certified by recognized testing authority and bear manufacturer and testing mark.



WARNING:

This product can expose you to chemicals including lead, which is known to the State of California to cause cancer, and birth defects or other reproductive harm. For more information go to www.P65Warnings.ca.gov.