

INSTALLATION INSTRUCTIONS FOR EMERGENCY LED EXIT SIGN

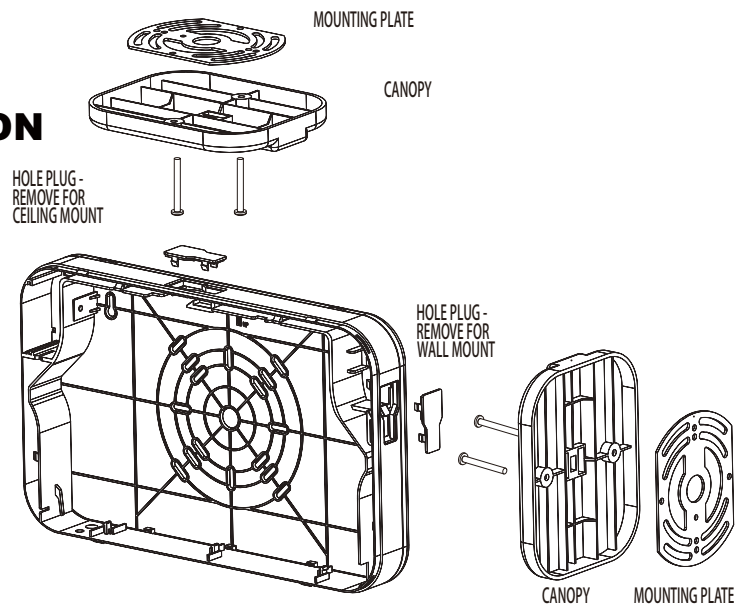
WALL MOUNT INSTALLATION

1. Remove EXIT stencil from housing, set aside.
2. Drill or knock out appropriate knockouts on back plate to fit junction box mounting points.
3. Drill or knock out center hole in back plate for EXIT supply wire leads.
4. Route EXIT input wires through center hole of the back plate and make wiring connection. For 120V, use black and white wires and for 277V, use red and white wires.
5. Secure back plate to junction box (hardware not included).
6. Connect battery (EL models only).
7. Remove proper Chevron(s) as required and replace EXIT stencil onto housing.
8. Apply continuous AC power and press "TEST" button to check operation. (See operation (battery back-up) for testing procedures)

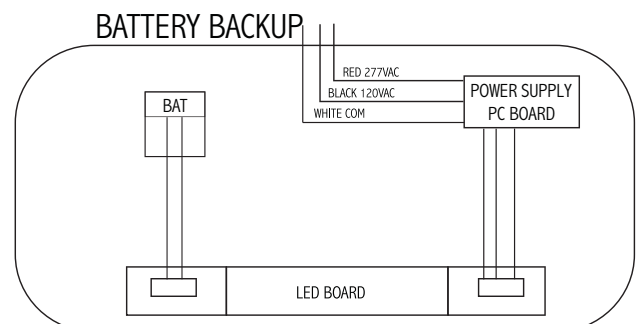
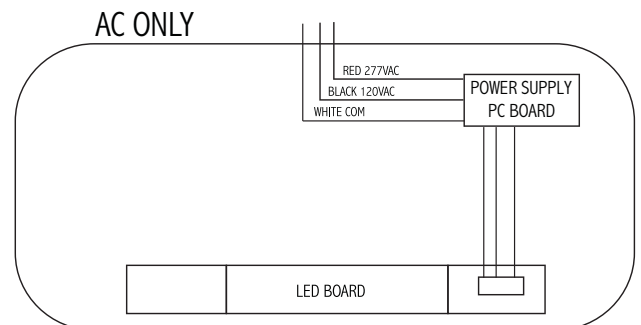
Recommended 4" standard junction box

CEILING OR END MOUNT INSTALLATION

1. Remove EXIT stencil from housing, set aside.
2. Place screws (provided) in holes on the canopy.
3. Remove the desired mounting hole plug located on the frame of the sign. For ceiling mount, hole plug will be located on the top of the housing. For wall mount, hole plug will be located on the side of the housing.
4. Place canopy tab through the mounting hole of the housing until the flat portion of the canopy is touching the housing frame. Lock the canopy into place by sliding the canopy, without turning, toward smaller end of the mounting hole until the tab is fully engaged and locked into place. Once canopy is in the locked position there will not be any side-to-side movement of the canopy.
5. Route EXIT input wires through canopy and through metal mounting plate.
6. Make wiring connection. For 120V, use black and white wires and for 277V, use red and white wires. **WARNING:** Properly insulate the unused lead with a wire nut (provided) or other approved means.
7. Push wire connections into the J-Box. Secure mounting plate to junction box (hardware not included).
8. Secure the canopy to the steel mounting plate with screws installed in step 2.
9. Remove proper chevron(s) as required. When removing chevrons it may be helpful to remove the color diffuser panel to allow easier access to the chevrons. If removing color diffuser panel it is important to remember to reinstall the diffuser panel, securing with diffuser retention caps once chevron(s) have been removed.
10. Connect battery only after continuous AC power can be provided to the unit.
11. Secure face plate(s) to the housing.
12. Apply continuous AC power and press "TEST" button to check operation. (See operation (battery back-up) for testing procedures)



WIRING DIAGRAMS:



OPERATION (BATTERY BACKUP)

1. Apply AC power to the unit. The LED indicator will be RED.
2. After the battery has been left to charge for 24 hours, test the unit by pushing the switch. The LED indicator turns OFF and the LED board stays ON.
3. When the switch is released, the LED indicator turns back to RED and the LED board stays ON.

MAINTENANCE

Caution: Always turn off AC power to the equipment before servicing. Servicing should be performed only by a qualified service technician. Use only MANUFACTURER supplied replacement parts.

BATTERY: The battery supplied with the EL model requires no maintenance. However, it should be tested periodically and replaced when it no longer operates the connected sign for the duration of a 30-second or 90-minute test. The battery supplied in this sign has a life expectancy of 5 years when used in a normal ambient temperature of 72°F.

SAVE THESE INSTRUCTIONS

IMPORTANT CODE COMPLIANCE INFORMATION

In accordance with NFPA 101, documented testing of your emergency lighting system must be tested monthly for a minimum of 30 seconds and annually for 90 minutes. Refer to your local codes for any additional requirements that may apply.



An *Acuity Brands* Company

Lithonia Emergency

One Lithonia Way, Conyers GA 30012

Phone: 800-334-8694 Fax: 770-981-8141

www.lithonia.com

PART # EMCSA00803 (REV A)