



Product Submittal	
Name	
Date	
Architect/Owner	
Contractor	
Tag	
Notes	

## HoldRite HydroFlame™ Tub Box, 2 Inch Specification Sheet/Drawing

The HoldRite HydroFlame™ Pro Series "Tub Box" is a UL-Listed firestop device for bathtub drains. Metallic or non-metallic drain piping can be used. Thin wall drain piping requires a rubber tub box donut (included with the #HFPLTB-TW-0200-X). Nominal 1-1/2" IPS sized drain piping does not require a rubber donut (not included with the #HFPLTB-NP-0200-X). Standard tub box assembled heights are 8", 9" & 10". Kit can be cut to 5-3/4" minimum height by cutting 2-1/4" off of 2" or 3" spigot adapters and tub box legs. Rear legs are adjustable for 8"-10" Tub Box heights.



Buy American Act



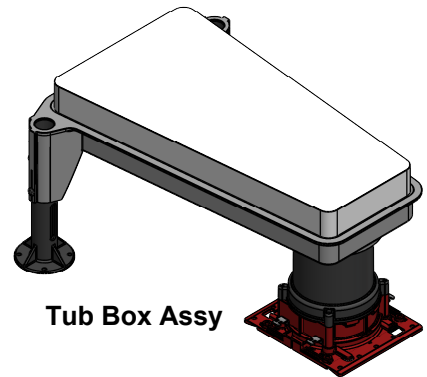
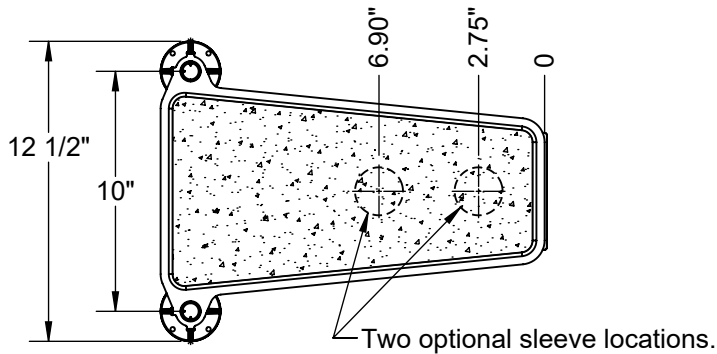
### Product Information:

- Material:
  - Tub Box Shell, Legs: ABS
  - Spigot Adapters: PVC
  - Box Insert: Expanded Polystyrene or similar
- Patented & Patents Pending
- HydroFlame™ Pro Sleeve tested in accordance to ASTM E90. Please see appropriate testing reports for further STC information.
- See Hydroflame™ Pro Series Installation Instructions, Best Practices documents and the latest UL Fire Resistive Directory file (R25101) for details.
- "FBC™ System Compatible indicates that this product has been tested, and is monitored on an ongoing basis, to assure its chemical compatibility with FlowGuard Gold®, BlazeMaster® and Corzan® piping systems and products made with TempRite® Technology." The FBC™ System Compatible Logo, FBC™, FlowGuard®, BlazeMaster®, Corzan®, and TempRite® are trademarks of Lubrizol Advanced Materials, Inc. or its affiliates."

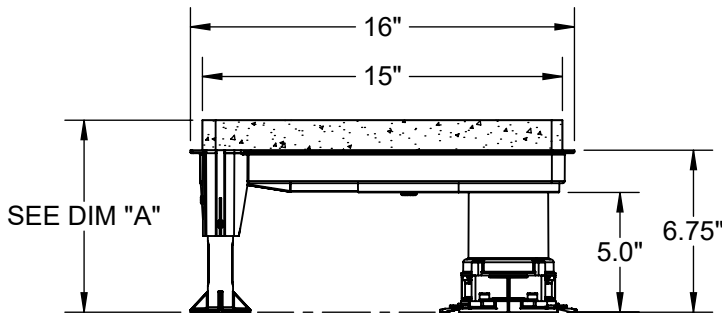
Technical Data for HydroFlame™ Pro Firestop Device	
<b>Product Test Criteria</b>	
UL Fire Tested & Listed to UL1479 (ASTM E814) & CAN/ULC S115	
UL Ratings (consult individual product specs & UL Systems):	
"L": Yes; "F": 3 Hrs. typical; "W": Yes (UL system may require caulk)	
<b>Intumescent Fire Wrap Physical Properties, Performance</b>	
Contains no solvents or carcinogenic fillers	
Color:	Gray/Black
Material shelf/store life:	Indefinite
Heat Expansion begins:	≈ 375°F (191°C)
Greatest Expansion:	575°F-1100°F (302°C - 593°C)
Constrained Expansion:	≥ 18 times volume
Free Expansion:	≥ 37 times volume
Expansion after accelerated weathering (tested to UL 1479):	
Temperature aging:	Pass - 270 days @ 158°F (70°C)
High humidity aging:	Pass - 180 days @ 97-100% humidity, 95°F (35°C)
Application Temperature:	Minimum 15°F (-9°C) / maximum 130°F (54°C)
Temperature Resistance:	Maximum 212°F (100°C)
Surface Burning Indicates (Per ASTM E84/UL 723):	
Flame spread:	5
Smoke developed:	5

SKU	Slab Thickness	Sleeve I.D.
HFPLTB-NP-0200-8	8"	Ø 2.83"
HFPLTB-TW-0200-8	8"	
HFPLTB-NP-0200-9	9"	
HFPLTB-TW-0200-9	9"	
HFPLTB-NP-0200-10	10"	
HFPLTB-TW-0200-10	10"	

NOTE: For slab thicknesses under 8" thick it is recommended to purchase either HFPLTB-NP-0200-8 or HFPLTB-TW-0200-8 and cut the sleeve height down to appropriate height. Tub box legs can be adjusted lower by loosening the set screws and re-tightening once legs are at appropriate height. Minimum slab thickness allowed is 4-1/2" thick.



**Reducer Seal**  
(Packaged or made available on "TW" SKU only)



Foam Thickness	Dim "A"
2.50"	8"
3.50"	9"
4.50"	10"