

MOEN®

There is more than one version of this model.
Page down to identify the version you have.

Specifications

DESCRIPTION

- One piece, cast brass construction above-deck with various finishes identified by suffix
- Modern style matches M•Power™ soap dispenser (model-8560)
- Single mount
- Vandal resistant aerator
- Flexible stainless steel supply line
- Vandal resistant below-deck box with included mounting hardware

OPERATION

- "Touch free" operation for improved hygiene
- Adjustable sensor activation distance from 3" to 12" (default 5-1/2")
- Vandal Mode: 30 second time-out feature
- Maintenance / Cleaning Mode: Allows for a 30 second deactivation for maintenance or cleaning
- Sentinel Flow: Eliminates stagnant water supply lines every 24 hours (factory setting = off)
- Metering Mode Feature: Adjustable run time from 10 to 180 seconds (factory setting = off)
- Battery 4(AA) with AC compatibility
 - For AC connection: Transformer 104630 required for up to 8 devices, and 182538 connector for each device
- Battery level indicator with low battery warning light
- Battery life: Up to 8 years*
- In-line filter included

FLOW

- 0.5 gpm (1.9 L/min) vandal-resistant multi-stream laminar flow

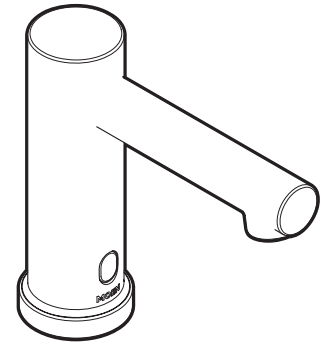
STANDARDS

- Third party certified to meet ASME A112.18.1/CSA B-125.1, and all applicable requirements referenced therein including NSF 61/9 & 372
- Complies with California Proposition 65 and with the Federal Safe Drinking Water Act
- Meets the current requirements of the Buy American Act (BAA)
- ADA compliant

WARRANTY

- Warranted for 5 years against material or manufacturer defects

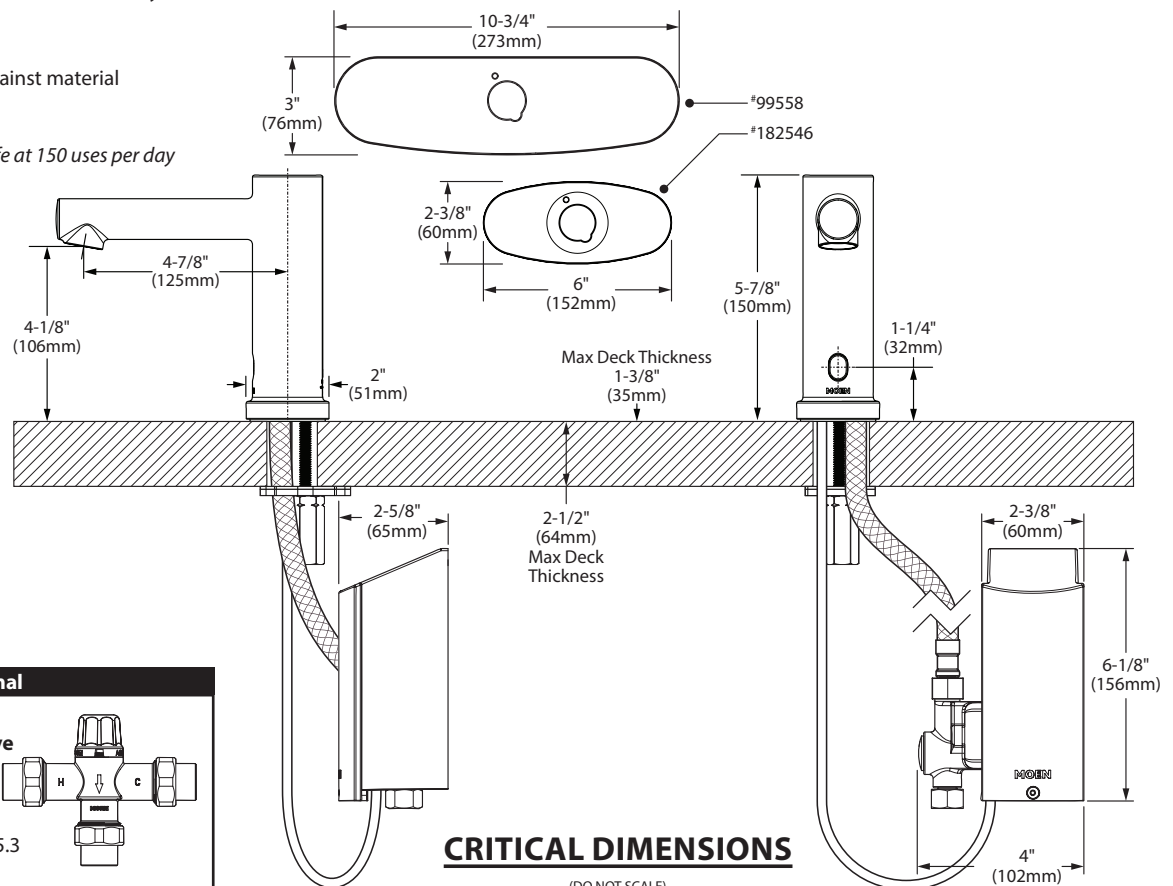
* Typical alkaline battery life at 150 uses per day



**M•Power™
Electronic Faucet
Below-Deck Align® Style**

Models: 8559 series

**NOTE: DESIGNED TO BE INSTALLED
THROUGH ONE HOLE 1-1/8" MIN. DIA.**



CRITICAL DIMENSIONS

(DO NOT SCALE)

Optional	
Adjustable Temperature Thermostatic Mixing Valve 104451	
<ul style="list-style-type: none"> • Minimum flow rate of .35gpm • ASSE 1070 & CSA B-125.3 certified 	

MOEN®

DESCRIPTION

- One piece, chrome plated, cast brass construction above-deck
- Modern style matches M•Power™ soap dispenser (model-8560)
- Single mount
- Vandal resistant aerator
- Flexible stainless steel supply line
- Vandal resistant below-deck box with included mounting hardware

OPERATION

- "Touch free" operation for improved hygiene
- Adjustable sensor activation distance from 3" to 12" (default 5-1/2")
- Vandal Mode: 30 second time-out feature
- Maintenance / Cleaning Mode: Allows for a 30 second deactivation for maintenance or cleaning
- Sentinel Flow: Eliminates stagnant water supply lines every 24 hours (factory setting = off)
- Metering Mode Feature: Adjustable run time from 10 to 180 seconds (factory setting = off)
- Battery 4(AA) with AC compatibility
 - For AC connection: Transformer 104630 required for up to 8 devices, and 182538 connector for each device
- Battery level indicator with low battery warning light
- Battery life: Up to 8 years*
- In-line filter included

FLOW

- 0.5 gpm (1.9 L/min) vandal-resistant multi-stream laminar flow

STANDARDS

- Third party certified to meet ASME A112.18.1/CSA B-125.1, and all applicable requirements referenced therein including NSF 61/9 & 372
- Complies with California Proposition 65 and with the Federal Safe Drinking Water Act
- Meets the current requirements of the Buy American Act (BAA)
- ADA compliant

WARRANTY

- Warranted for 5 years against material or manufacturer defects

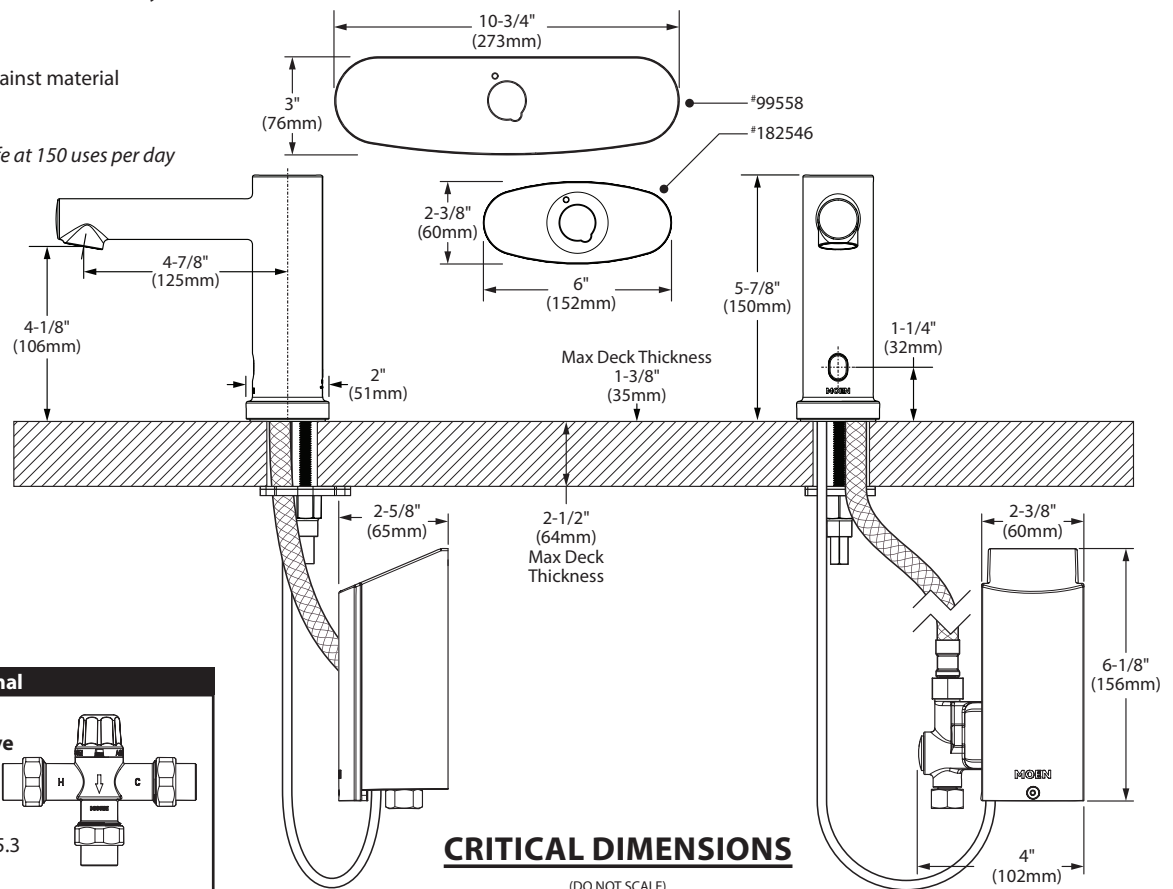
* Typical alkaline battery life at 150 uses per day



M•Power™ Electronic Faucet Below-Deck Align® Style

Models: 8559

NOTE: DESIGNED TO BE INSTALLED THROUGH ONE HOLE 1-1/8" MIN. DIA.



Optional

Adjustable Temperature Thermostatic Mixing Valve

104451

- Minimum flow rate of .35gpm
- ASSE 1070 & CSA B-125.3 certified

