

Installation Instructions

Built-in Trim Kit

Model # EMTK3011AS

BEFORE YOU BEGIN

Read these instructions completely and carefully.

- **IMPORTANT** – Save these instructions for local inspector's use.
- **IMPORTANT** – Observe all governing codes and ordinances.
- **Note to Installer** – Be sure to leave these instructions with the Consumer.
- **Note to Consumer** – Keep these instructions for future reference.
- **Skill level** - Installation of this appliance requires basic mechanical and electrical skills.
- Proper installation is the responsibility of the installer.
- Product failure due to improper installation is not covered under the Warranty.
- Unplug the microwave oven before attempting installation of this kit.
- Because the kit includes metal parts, caution should be used in handling and installation to avoid the possibility of injury.
- Do not remove permanently affixed labels, warnings, or plates from the product. This may void the warranty.

FOR YOUR SAFETY:

WARNING – Before beginning the installation, switch power off at service panel and lock out to prevent being switched on accidentally. When the service cannot be locked, securely fasten a prominent warning device, such as a tag, to the service panel.

IMPORTANT - PLEASE READ AND FOLLOW

THIS BUILT-IN KIT IS DESIGNED FOR USE ONLY WITH ELECTROLUX MICROWAVE OVENS SPECIFYING BUILT-IN KIT

IMPORTANT:

Before installing the exhaust duct, confirm the floor is level. The level bubble should be equal distance from level guide lines.



QUESTIONS?

For customers in the United States call: 1-800-374-4432

For customers in Canada call: 1-800-265-8352

Visit our Website at: www.electroluxappliances.com

READ CAREFULLY.

KEEP THESE INSTRUCTIONS.

PN: A06822909
Nov. 2020

Installation Instructions

PARTS INCLUDED IN THE KIT

1. Front Frame Assembly- QTY 1
2. Exhaust Duct - QTY 1
3. Rail – QTY 2
4. Screw A - Short Screws - QTY 11 + 3 extra
5. Screw B - Long Screws - QTY 4 + 2 extra
6. Rear Duct

CHOOSING A LOCATION FOR YOUR MICROWAVE OVEN IF BUILT-IN

Built-In Trim Kit allows for the installation of microwaves listed below to be built into a cabinet or wall by itself or over an electric wall oven*.

Microwave Model: EMBS2411AB

See Illustration 1 for proper location and when building in above a wall oven. Carefully follow both the wall oven installation instructions and Electrolux's Built-in Kit instructions. If building over a wall oven, be sure the clearance between the wall oven and the microwave oven is a minimum of 3 inches. See illustration 2.

*NOTE: Trim Kit and microwave can only be built-in over an electric self-clean or non self-clean single cavity wall oven.

CABINET OR WALL CUTOUT

Cutout Dimensions(See illustration 3)

Height (A)	
Minimum	17-1/64" (432 mm)
Maximum	17-1/4" (438 mm)
Width (B)	
Minimum	24-49/64" (629 mm)
Maximum	25" (635 mm)
Depth (C)	23-1/2" (597 mm)
Minimum	Min.depth with receptacle outside cutout – 22" (559 mm)
	Min.depth with receptacle inside cutout – 23-1/2" (597 mm)

IMPORTANT:

Before installing the exhaust duct, confirm the floor is level. The level bubble should be equal distance from level guide lines.

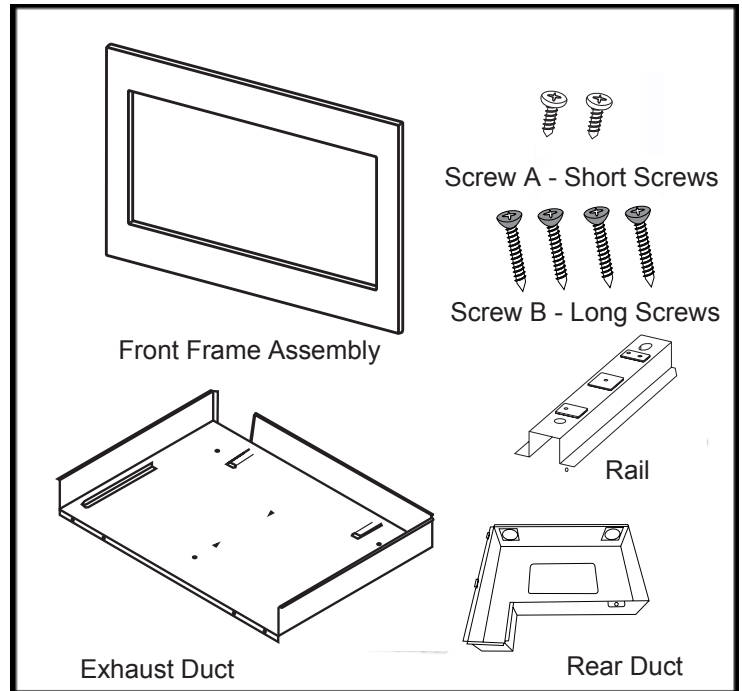


Illustration 1

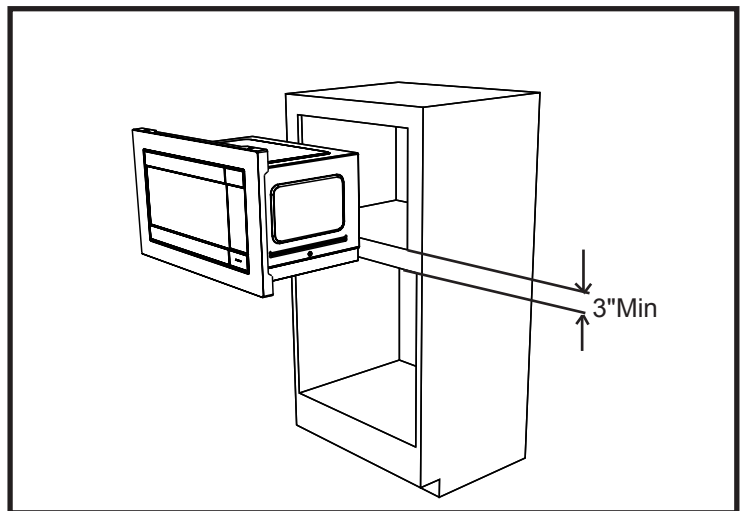


Illustration 2

Trim Kit Overall Dimensions	
	30"
Height	18-7/64" (460mm)
Width	29-55/64" (758mm)
Depth	1-5/8" (41.6mm)

Installation Instructions

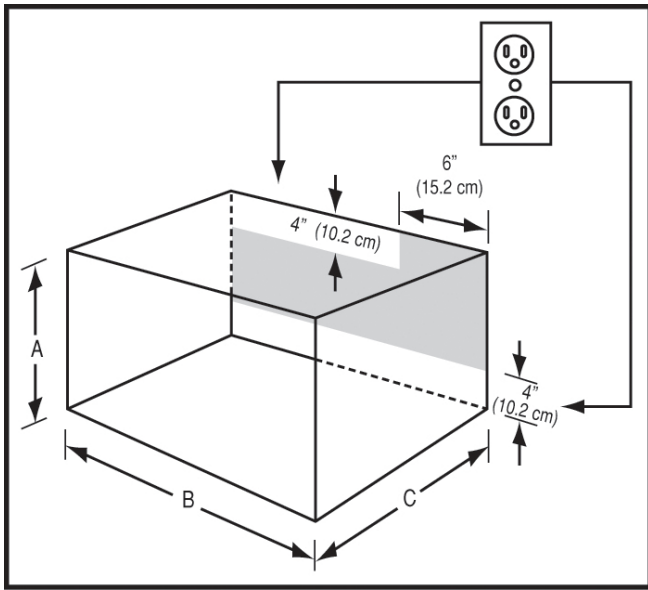


Illustration 3

ELECTRICAL OUTLET LOCATION

Outlet should NOT be in the shaded area as indicated on Illustration 3

NOTE 1:

The floor of the opening should be constructed of plywood strong enough to support the weight of the oven and floor load (approximately 100 pounds). The floor should be level for proper operation of the oven. Be sure to check the local building code as it may require that the opening be enclosed with side, ceiling and rear partition. The proper functioning of the oven does not require the enclosure.

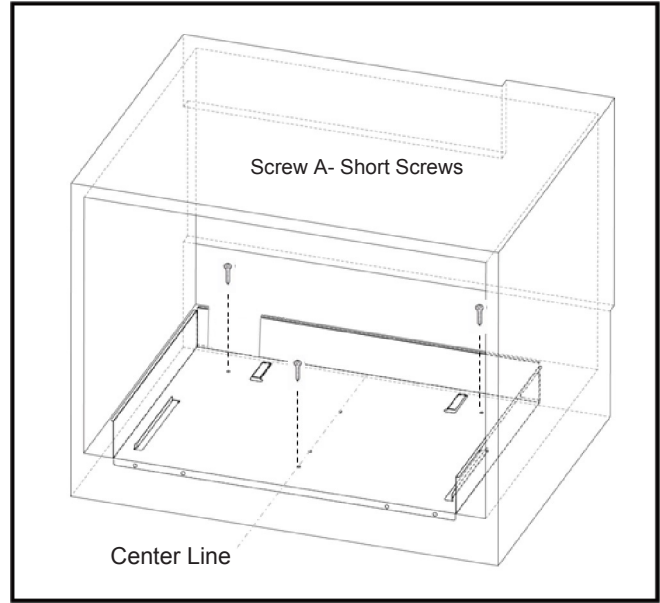


Illustration 4

EXHAUST DUCT ASSEMBLY

1. Draw a Central Line on floor. Place the Exhaust Duct in the opening. When the Exhaust Duct Assembly is in the opening correctly, the Center Line is in the middle of the Exhaust Duct Assembly. See Illustration 4.
2. Secure the Exhaust Duct Assembly with the three screw A - short screws.

IMPORTANT: Secure screws in outer hole. 3 pcs are needed for exhaust duct assembly

IMPORTANT:

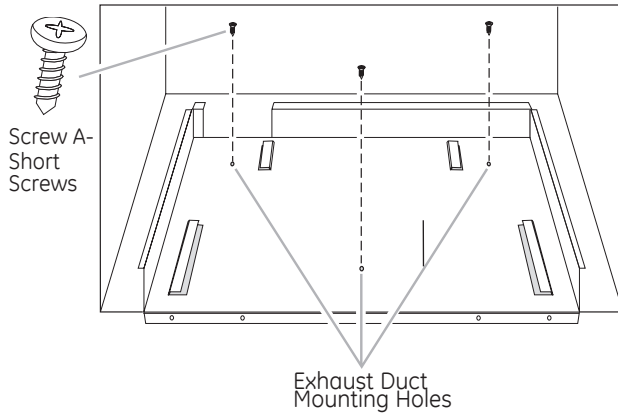
Before installing the exhaust duct, confirm the floor is level. The level bubble should be equal distance from level guide lines.



Installation Instructions

1 LOCATE AND INSTALL THE EXHAUST DUCT

Set Exhaust Duct into the front cabinet microwave oven cutout and center it right and left. Push back until the front flange is against the cabinet front wall. Mount the Exhaust Duct using 3 screw A - short screws.



2 INSTALL THE RAILS

Disconnect the microwave oven from the receptacle. Remove everything out of the microwave oven, including packing, Owner's Manuals, turntable and turntable support. A protective film has been applied to some microwave oven and trim kits. If applied, remove the film. Turn over the microwave oven and secure the rails to oven Base Plate by inserting 4 screw A-short screws. See Illustration 5. Be careful not to scratch the microwave oven.

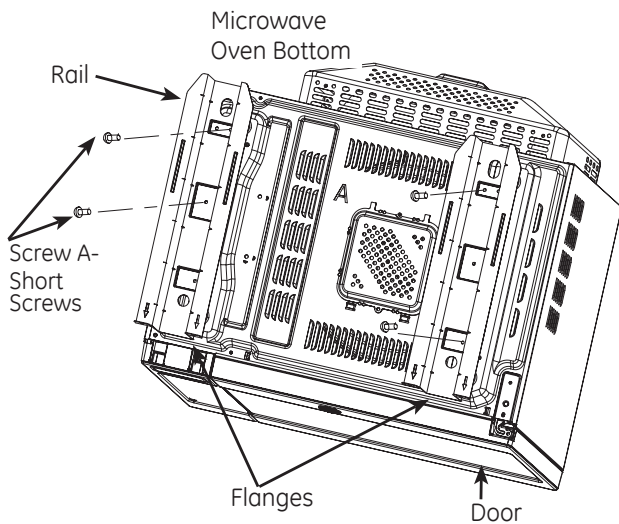
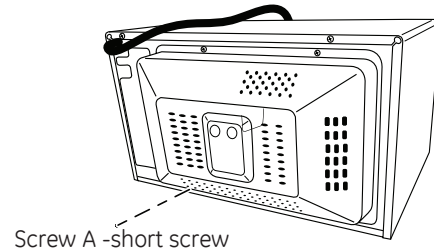


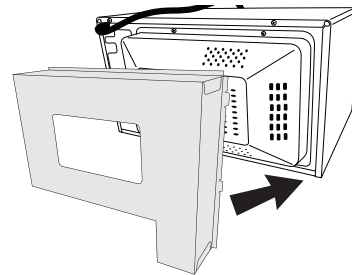
Illustration 5

3 INSTALL THE REAR DUCT

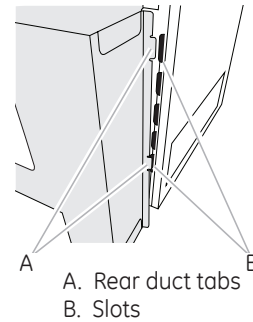
1. Gently return microwave oven to its upright position.
2. Remove screw A-short screw.



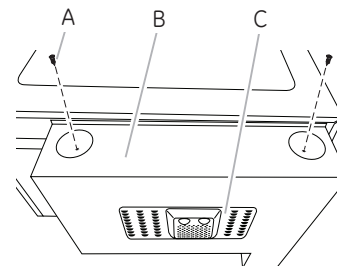
3. Align the rear duct with the back of microwave oven, as shown.



4. Slide 2 tabs into the slots on the right side of the back of microwave oven.



5. Use 2 screw A-short screws to secure top of rear duct to the back of microwave oven, as shown.

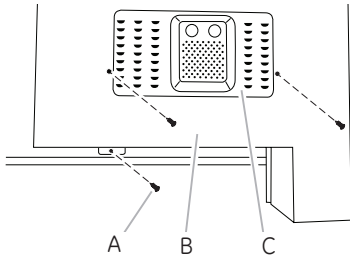


- A. Screw A-short screws (2)
B. Rear duct
C. Back of microwave oven

Installation Instructions

3 INSTALL THE REAR DUCT (continued)

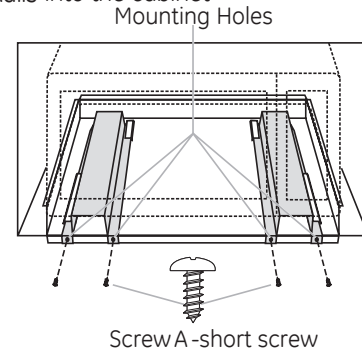
6. Use 3 screw A -short screws to secure back of rear duct to the back of microwave oven, as shown.



- A. Screw A -short screws (3)
- B. Rear duct
- C. Back of microwave oven

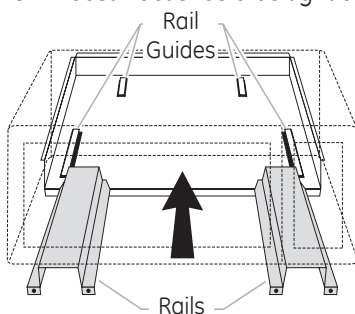
5 SECURE THE RAILS TO THE CABINET

Ensure the Exhaust Duct and Bottom Bracket front flanges are tight against the cabinet, and that the screws holes are aligned. Drive 4 screw A - short screws through the Exhaust Duct and Rails into the cabinet



4 INSTALL THE MICROWAVE OVEN

Plug the power cord into the wall receptacle. Slide the microwave oven assembly gently into the cabinet, using care not to pinch the power cord. Be sure to keep the assembly centered as it slides back to where the tongue of the rails goes through the slots on Exhaust Duct. The top edges of the Exhaust Duct should now be centered right to left in the opening. The Exhaust Duct should be tight against the cabinet.



6 REPLACE ANY LOOSE ITEMS

1. Your microwave is now fully installed. Replace the turntable and turntable support that was removed from inside the microwave oven.
2. Keep these installation instructions and extra screws for future reference and need. Do not place them in the microwave oven.
3. Replace the house fuse, or close the circuit breaker to restore power at the service panel.

Installation Instructions

FRONT FRAME INSTALLATION

1. Position the FRONT FRAME ASSEMBLY to be square with the oven. Carefully place the FRONT FRAME ASSEMBLY on the oven. See Illustration 6.
2. Check that it is level and then secure with two Screws B - long screws. Secure the bottom portion of the FRONT FRAME ASSEMBLY with the two remaining Screws B - long screws. See Illustration 7.

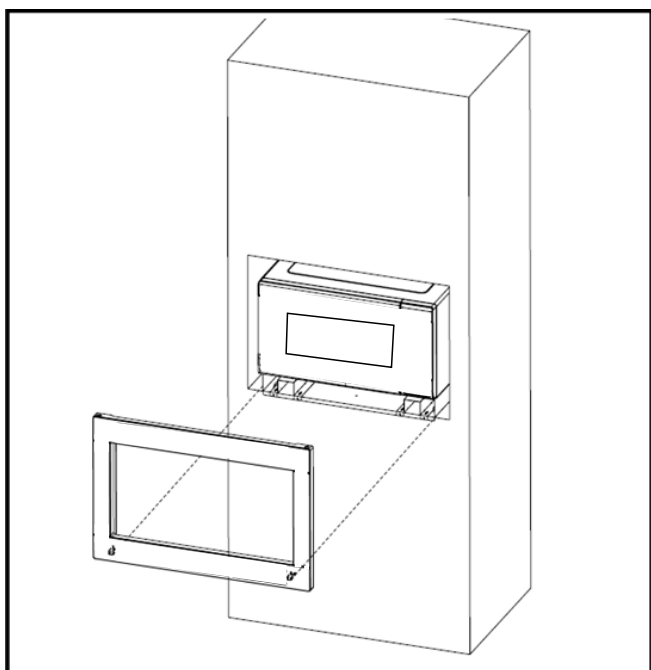


Illustration 6

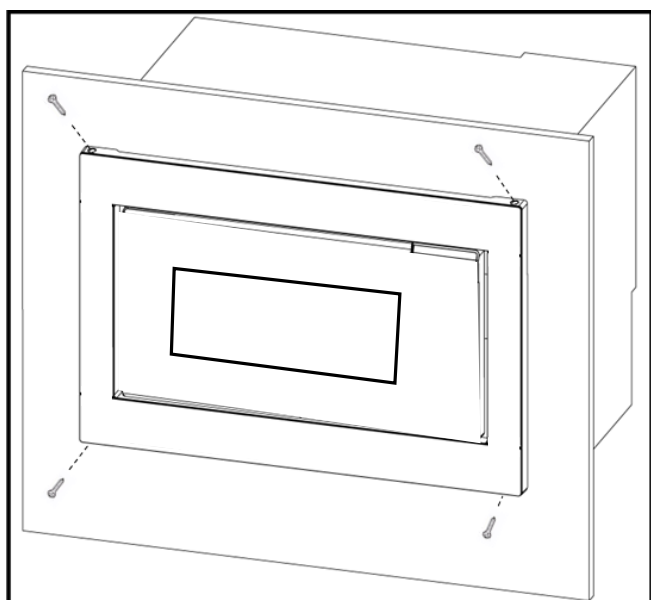


Illustration 7