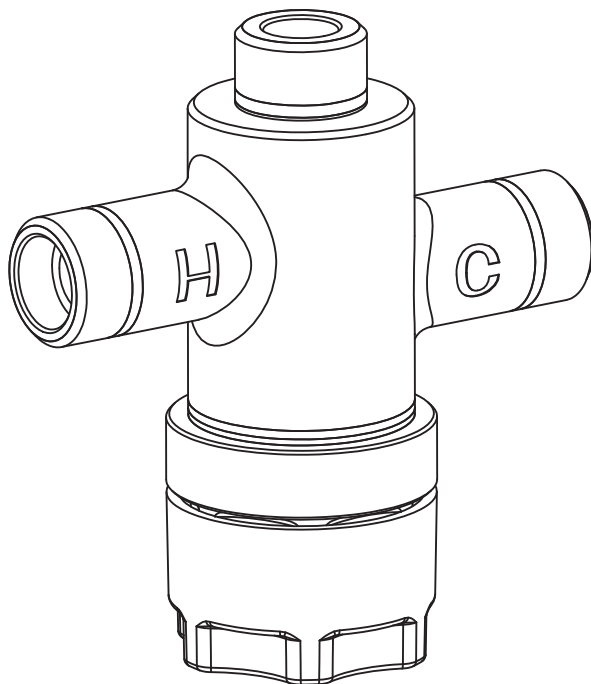


**Thermostatic Mixing Valve for Lavatory Faucet**  
**Válvula mezcladora termostática para grifo de lavatorio**  
**Vanne de mélange pour robinet de lavabo**  
**Válvula misturadora termostática para torneira de lavatório**



TLT20

Warranty Registration and Inquiry

For product warranty registration, TOTO U.S.A. Inc. recommends online warranty registration. Please visit our web site <http://www.totousa.com>. If you have questions regarding warranty policy or coverage, please contact TOTO U.S.A. Inc., Customer Service Department, 1155 Southern Road, Morrow, GA 30260 (888) 295-8134 or (678) 466-1300 when calling from outside of U.S.A.



# TABLE OF CONTENTS

|  |    |
|--|----|
| Thanks for choosing TOTO! .....            | 2  |
| Warnings .....                             | 2  |
| Included parts .....                       | 3  |
| Tools you will need .....                  | 3  |
| Before installation .....                  | 3  |
| Care & cleaning .....                      | 3  |
| Installation procedures .....              | 4  |
| Adjusting maximum outlet temperature ..... | 5  |
| Adjusting outlet temperature .....         | 5  |
| Accessing and cleaning the valves .....    | 5  |
| Specifications .....                       | 6  |
| Troubleshooting .....                      | 6  |
| Warranty .....                             | 7  |
| Rough-in dimensions .....                  | 26 |
| Flow chart .....                           | 26 |

## THANKS FOR CHOOSING TOTO!

The mission of TOTO is to provide the world with healthy, hygienic and more comfortable lifestyles. We design every product with the balance of form and function as a guiding principle. Congratulations on your choice.

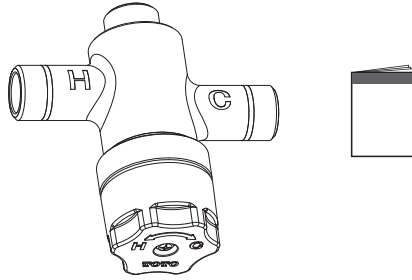
## WARNINGS

Please read and adhere to the following notes. Failure to do so could result in personal injury and/or property damage.

- This valve requires the maximum outlet temperature to be set/adjusted by the installer. The maximum outlet water temperature should never exceed 120°F (49°C).
- Please do not use this valve if there is a large difference in the pressure between the hot and cold water supplies.
- Do not use this valve at an ambient temperature below 32°F (0°C).
- Do not reverse the hot and cold water inlets.
- Insulate the hot water supply pipe to minimize heat loss.
- Do not use steam for the hot water supply.
- Do not disassemble the thermostatic cartridge.
- Do not use this product in a humid location where running water or condensation may collect on the surface, especially in a sauna or steam room.
- Always close the stop valve(s) before cleaning the strainer.
- Periodically check the piping for leaks.
- If the room temperature drops to freezing, wrap the pipes with insulation.

## INCLUDED PARTS

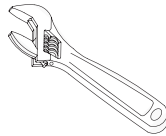
Check to make sure you have all these parts from the package\*:  
(Appearance of some components may vary depending on the model)



## TOOLS YOU WILL NEED



Thermometer



Adjustable Wrench



Screwdriver (Phillips)

## BEFORE INSTALLATION

- Observe all local plumbing codes.
- Flush all piping thoroughly before installing the valve.
- Make sure the water supply is shut off.
- Read these instructions carefully to ensure proper installation.
- TOTO reserves the right to update product design without notice.

## CARE & CLEANING

Your new valve is designed for years of trouble-free performance. Keep it looking new by cleaning it periodically with mild soap, rinsing thoroughly with warm water and drying with a clean, soft cloth. Do not use abrasive cleaners, steel wool or harsh chemicals, as these will dull the finish. Failure to follow these instructions may void your warranty.

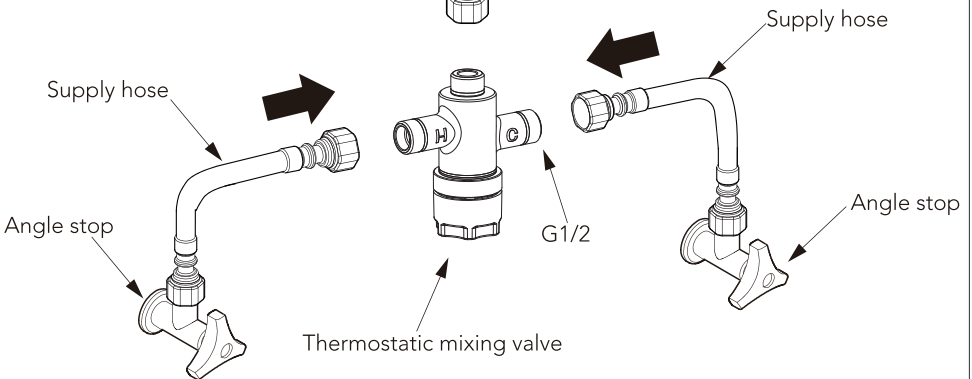
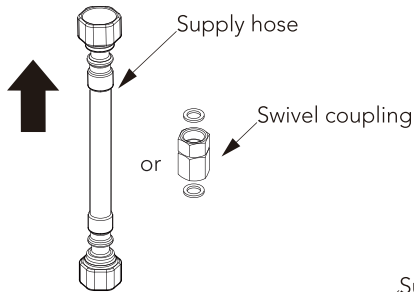
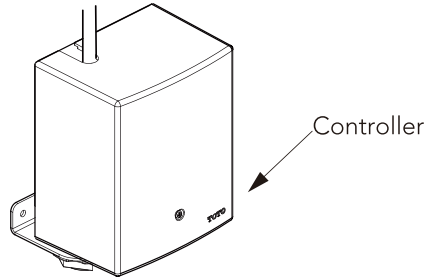


# INSTALLATION PROCEDURE

## CAUTION: RISK OF PERSONAL INJURY.

This valve requires the maximum outlet temperature to be set/adjusted by the installer. The maximum outlet water temperature should never exceed 120°F (49°C).

- 1) Turn off the main water supply.
- 2) Connect the hot water supply to the inlet marked "H" and the cold water supply to the inlet marked "C".



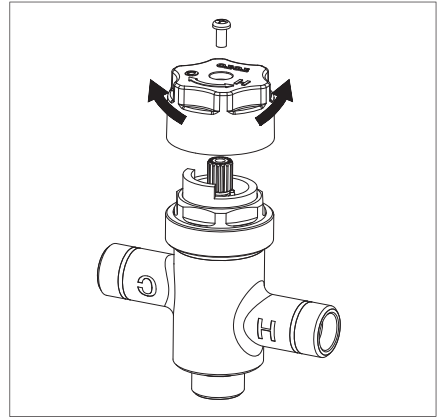
G1/2 compatible with 1/2 NPSM

ONLY THERMOSTATIC MIXING VALVE INCLUDED

## ADJUSTING MAXIMUM OUTLET TEMPERATURE

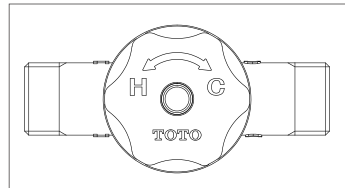
- 1) Shut the water off at the stop valves.
- 2) To decrease temperature:  
Remove screw and pull handle slowly to remove. Turn handle counter-clockwise one notch and reinstall onto cartridge.
- To increase temperature:  
Remove screw and pull handle slowly to remove. Turn handle clockwise one notch and reinstall onto cartridge.
- 3) Secure handle with screw.
- 4) Open shut off valve.
- 5) Check water temperature.

\*\*Repeat steps 1 - 5 if necessary



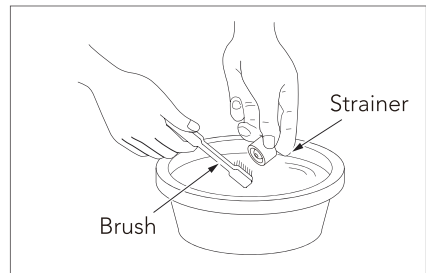
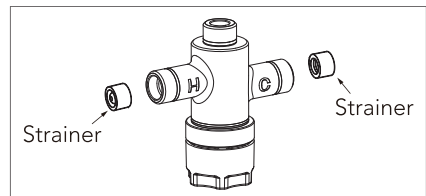
## ADJUSTING OUTLET TEMPERATURE

- 1) To decrease temperature: turn handle clockwise.
- 2) To increase temperature: turn handle counter-clockwise.



## ACCESSING AND CLEANING THE VALVE

- 1) Shut the water off at the stop valves.
- 2) Disconnect supply hoses.
- 3) Pull out the strainer and clean it with a brush.
- 4) Reinstall the clean strainer and connect water supply hoses.
- 5) Open the stop valves.



## SPECIFICATIONS

|   |  |
|---|--|
| Water Supply Pressure                       | Minimum required water pressure: 15 psi (100 kPa) (Flowing)  |
|   | Maximum water pressure: 80 psi (551 kPa)   |
| Water Supply Connection                     | G1/2 compatible with 1/2 NPSM  |
| Ambient Temperature                         | 32~104°F (0~40°C)  |
| Humidity                                    | Max. 90% RH  |
| Recommended temperature range (hot supply)  | 120 ~ 180°F (49 ~ 82°C)  |
| Recommended temperature range (cold supply) | 39 ~ 80°F (4 ~ 27°C)   |
| Temperature Adjustment Range at outlet      | Ambient temperature ~ 120°F (49°C)<br>(Factory setting 100±4°F (38±2°C)<br>@30 psi (206 kPa), Cold ambient temperature,<br>Hot 176°F (80°C)) |
| Minimum Flow                                | 0.35gpm(1.33L/min)   |

## TROUBLESHOOTING

| Problem                                       | Cause  | Solution  |
|---|--|---|
| Water won't begin running.                    | The stop valve is turned off.  | Turn on the valve.                                      |
|   | Water supply is suspended.   | Wait until the water supply is restored.                |
|   | The strainer or the regulating screen is clogged.                      | Clean the strainer and the regulating screen.           |
| Low flow rate.                                | The stop valve is not fully opened.                                    | Open the stop valve fully.                              |
|   | The strainer or the regulating screen is clogged.                      | Clean the strainer and the regulating screen.           |
| Water temperature is too high.                | The temperature control handle is set at "H".                          | Set the temperature control handle to the middle point. |
|   | The stop valve connected to the cold-water supply is not fully opened. | Open the cold-water stop valve fully.                   |
| Water temperature is too low.                 | The temperature control handle is set at "C".                          | Set the temperature control handle to the middle point. |
|   | The stop valve connected to the hot water supply is not fully opened.  | Open the hot water stop valve fully.                    |
|   | The hot water supply temperature is lower than 120°F.                  | Set the hot water supply temperature to 120°F.          |
| Water temperature is not controlled properly. | One side of the stop valve is not fully opened.                        | Open the stop valve fully.                              |
|   | The strainer or the regulating screen is clogged.                      | Clean the strainer and the regulating screen.           |

# WARRANTY

ENGLISH

1. TOTO warrants its electronic flush valves, faucets and soap dispensers ("Product") to be free from defects in materials and workmanship during normal use when properly installed and serviced, for a period of three (3) years from date of purchase. This limited warranty is extended only to the ORIGINAL PURCHASER of the Product and is not transferable to any third party, including but not limited to any subsequent purchaser or owner of the Product. This warranty applies only to TOTO Product purchased and installed in North, Central and South America.
2. TOTO's obligations under this warranty are limited to repair, replacement or other appropriate adjustment, at TOTO's option, of the Product or parts found to be defective in normal use, provided that such Product was properly installed, used and serviced in accordance with instructions. TOTO reserves the right to make such inspections as may be necessary in order to determine the cause of the defect. TOTO will not charge for labor or parts in connection with warranty repairs or replacements. TOTO is not responsible for the cost of removal, return and/or reinstallation of the Product.
3. This warranty does not apply to the following items:
  - a. Damage or loss sustained in a natural calamity such as fire, earthquake, flood, thunder, electrical storm, etc.
  - b. Damage or loss resulting from any accident, unreasonable use, misuse, abuse, negligence, or improper care, cleaning, or maintenance of the Product.
  - c. Damage or loss resulting from sediments or foreign matter contained in a water system.
  - d. Damage or loss resulting from improper installation or from installation of the Product in a harsh and/or hazardous environment, or improper removal, repair or modification of the Product.
  - e. Damage or loss resulting from electrical surges or lightning strikes or other acts which are not the fault of TOTO or which the Product is not specified to tolerate.
  - f. Damage or loss resulting from normal and customary wear and tear, such as gloss reduction, scratching or fading over time due to use, cleaning practices or water or atmospheric conditions, including but not limited to, the use of bleach, alkali, acid cleaners, dry (powder) cleaners or any other abrasive cleaners or the use of metal or nylon scrubbers.
4. In order for this limited warranty to be valid, proof of purchase is required. TOTO encourages warranty registration upon purchase to create a record of Product ownership at <http://www.totousa.com>. Product registration is completely voluntary and failure to register will not diminish your limited warranty rights.
5. THIS WARRANTY GIVES YOU SPECIFIC LEGAL RIGHTS. YOU MAY HAVE OTHER RIGHTS WHICH VARY FROM STATE TO STATE, PROVINCE TO PROVINCE OR COUNTRY TO COUNTRY.
6. To obtain warranty repair service under this warranty, you must take the Product or deliver it prepaid to a TOTO service facility together with proof of purchase (original sales receipt) and a letter stating the problem, or contact a TOTO distributor or products service contractor, or write directly to TOTO U.S.A., INC., 1155 Southern Road, Morrow, GA 30260 (888) 295 8134 or (678) 466-1300, if outside the U.S.A. If, because of the size of the Product or nature of the defect, the Product cannot be returned to TOTO, receipt by TOTO of written notice of the defect together with proof of purchase (original sales receipt) shall constitute delivery. In such case, TOTO may choose to repair the Product at the purchaser's location or pay to transport the Product to a service facility.

THIS WRITTEN WARRANTY IS THE ONLY WARRANTY MADE BY TOTO. REPAIR, REPLACEMENT OR OTHER APPROPRIATE ADJUSTMENT AS PROVIDED UNDER THIS WARRANTY SHALL BE THE EXCLUSIVE REMEDY AVAILABLE TO THE ORIGINAL PURCHASER. TOTO SHALL NOT BE RESPONSIBLE FOR LOSS OF THE PRODUCT OR FOR OTHER INCIDENTAL, SPECIAL OR CONSEQUENTIAL DAMAGES OR EXPENSES INCURRED BY THE ORIGINAL PURCHASER, OR FOR LABOR OR OTHER COSTS DUE TO INSTALLATION OR REMOVAL, OR COSTS OF REPAIRS BY OTHERS, OR FOR ANY OTHER EXPENSE NOT SPECIFICALLY STATED ABOVE. IN NO EVENT WILL TOTO'S RESPONSIBILITY EXCEED THE PURCHASE PRICE OF THE PRODUCT. EXCEPT TO THE EXTENT PROHIBITED BY APPLICABLE LAW, ANY IMPLIED WARRANTIES, INCLUDING THAT OF MERCHANTABILITY OR FITNESS FOR USE OR FOR A PARTICULAR PURPOSE, ARE EXPRESSLY DISCLAIMED. SOME STATES DO NOT ALLOW LIMITATIONS ON HOW LONG AN IMPLIED WARRANTY LASTS, OR THE EXCLUSION OR LIMITATION OF INCIDENTAL OR CONSEQUENTIAL DAMAGES, SO THE ABOVE LIMITATION AND EXCLUSION MAY NOT APPLY TO YOU.

## ÍNDICE

|   |    |
|---|----|
| Gracias por elegir TOTO ! .....                 | 8  |
| Advertencias .....                              | 8  |
| Piezas incluidas .....                          | 9  |
| Herramientas necesarias .....                   | 9  |
| Antes de la instalación .....                   | 9  |
| Cuidado y limpieza .....                        | 9  |
| Procedimientos de instalación .....             | 10 |
| Ajuste de la temperatura máxima de salida ..... | 11 |
| Ajuste de la temperatura de salida .....        | 11 |
| Acceso a las válvulas y limpieza .....          | 11 |
| Especificaciones .....                          | 12 |
| Resolución de problemas .....                   | 12 |
| Garantía .....                                  | 13 |
| Bosquejo .....                                  | 26 |
| Diagrama de flujo .....                         | 26 |

## GRACIAS POR ELEGIR TOTO!

La misión de TOTO es dar al mundo estilos de vida más saludables, higiénicos y cómodos. Diseñamos cada producto guiándonos por el principio del equilibrio entre forma y función. Felicitaciones por su elección.

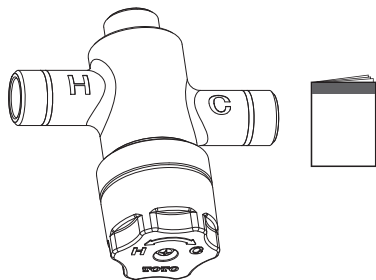
## ADVERTENCIAS

Lea las siguientes notas y sígalas siempre. De lo contrario, podría resultar herido y/o causar daños materiales.

- Esta válvula requiere que el instalador determine/ajuste la máxima temperatura de salida. La temperatura máxima del agua no debe exceder los 120°F (49°C).
- No use la válvula si hubiera una diferencia considerable de presión entre el suministro de agua caliente y fría.
- No use este producto si la temperatura ambiente es menor que 32 °F (0 °C).
- No invierta las entrada de agua caliente y fría.
- Aplique aislante térmico al suministro de agua caliente para reducir al mínimo la pérdida de calor.
- No use vapor en la línea de agua caliente.
- No desarme la unidad del cartucho termostático.
- No utilice este producto en lugares húmedos donde se pueda acumular agua corriente o condensación en la superficie, especialmente en un sauna o sala de vapor.
- Siempre cierre las llaves de paso antes de limpiar el filtro.
- Revise periódicamente la tubería para verificar que no haya pérdidas.
- Si la temperatura ambiente cae por debajo del punto de congelación, envuelva la tubería con aislante.

## PIEZAS INCLUIDAS

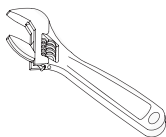
Asegúrese de que el paquete incluya todas estas piezas\*:  
(La apariencia de algunos componentes puede variar según el modelo)



## HERRAMIENTAS NECESARIAS



Termómetro



Llave regulable



Destornillador

## ANTES DE LA INSTALACIÓN

- Cumpla con todos los códigos locales de plomería.
- Limpie bien las tuberías antes de instalar la válvula.
- Verifique que esté cortado el suministro de agua.
- Lea detenidamente estas instrucciones para garantizar una instalación correcta.
- TOTO se reserva el derecho de cambiar el diseño del producto sin previo aviso.

## CUIDADO Y LIMPIEZA

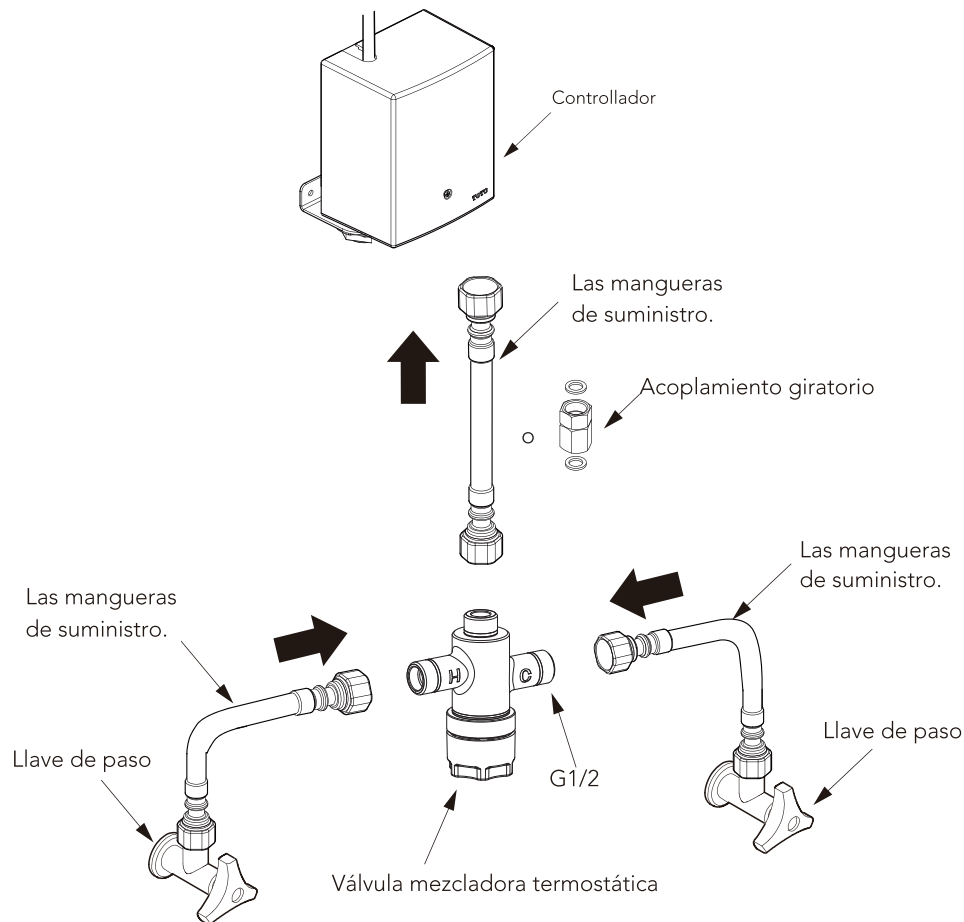
Su nueva válvula está diseñada para años de funcionamiento sin problemas. Manténgala luciendo como nueva mediante una limpieza periódica con jabón suave, enjuague minuciosamente con agua tibia y séquela con un paño limpio y suave. No use limpiadores abrasivos, lana de acero ni productos químicos fuertes, ya que opacan el acabado. El incumplimiento de estas instrucciones podría anular la garantía.

# PROCEDIMIENTO DE INSTALACIÓN

## ATENCIÓN: RIESGO DE LESIONES PERSONALES.

Esta válvula requiere que el instalador determine/ajuste la máxima temperatura de salida. La temperatura máxima del agua no debe exceder los 120°F (49°C).

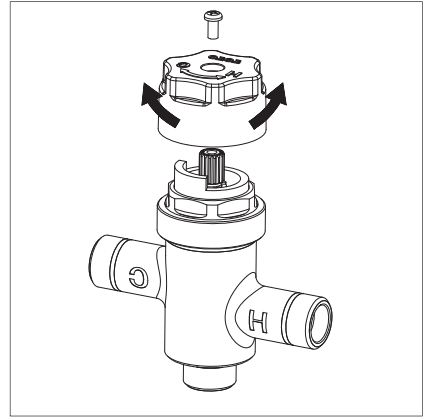
- 1) Cierre el suministro principal de agua.
- 2) Conecte el suministro de agua caliente a la entrada marcada con una "H" y el suministro de agua fría a la entrada marcada con una "C".



G1/2 compatible con 1/2 NPSM  
Sólo válvula mezcladora termostática incluida

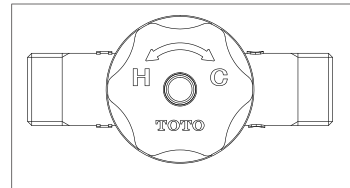
## AJUSTE DE LA TEMPERATURA MÁXIMA DE SALIDA

- 1) Cierre el paso de agua en la válvula de cierre.
  - 2) Para disminuir la temperatura:  
Quite el tornillo y tire el mango lentamente para remover, gire manija en sentido contrario a las manecillas del reloj un escalón o nivel y vuelva a poner el mango en su lugar.  
Para aumentar la temperatura:  
Quite el tornillo y tire el mango lentamente para remover, gire la manija en el mismo sentido a las manecillas del reloj un escalón o nivel y vuelva a poner el mango en su lugar.
  - 3) Asegure el mango con el tornillo
  - 4) Abra la válvula de cierre.
  - 5) Verifique la temperatura del agua.
- \*\*Si es necesario, repita los pasos del 1 al 5.



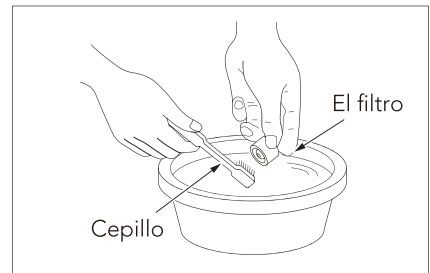
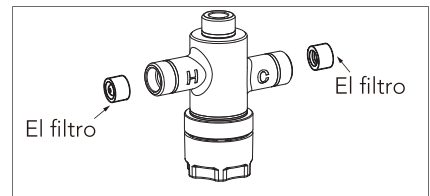
## AJUSTE DE LA TEMPERATURA DE SALIDA

- 1) Para disminuir la temperatura: gire la manija hacia la derecha.
- 2) Para aumentar la temperatura: gire la manija en el sentido contrario a las agujas del reloj.



## ACCESO A LAS VÁLVULAS Y LIMPIEZA

- 1) Cierre el agua en las válvulas de suspensión.
- 2) Desconecte las mangueras de suministro.
- 3) Extraiga el filtro y límpielo con un cepillo.
- 4) Vuelva a instalar el filtro limpio y conecte las mangueras de suministro.
- 5) Abra las válvulas de suspensión.





## ESPECIFICACIONES

|   |   |
|---|---|
| Presión del suministro de agua              | Presión de agua mínima requerida: 15 psi (100 kPa) (fluyendo)   |
|   | Presión de agua máxima: 80 psi (551 kPa)  |
| Conexión del suministro de agua             | G1/2 compatible con ½ NPSM  |
| Temperatura ambiente                        | 32~104°F (0~40°C)   |
| Humedad                                     | Máx. 90 % de HR   |
| Rango de temperatura recomendada (caliente) | 120 ~ 180°F (49 ~ 82°C)   |
| Rango de temperatura recomendada (frío)     | 39 ~ 80°F (4 ~ 27°C)  |
| Rango de ajuste de la temperatura           | Temperatura común ~ 120°F (49°C)<br>(ajuste de fábrica 100±4°F (38±2°C)<br>@30 psi (206 kPa), Temperatura ambiente frío,<br>caliente 176°F (80°C) |
| Flujo mínimo                                | 0.35gpm(1.33L/min)  |

## RESOLUCIÓN DE PROBLEMAS

| Problema  | Causa  | Solución   |
|---|--|--|
| El agua no empieza a correr.                              | La válvula de suspensión está cerrada.   | Abra la válvula.   |
|   | El suministro de agua está suspendido.   | Espere a que el suministro de agua se restablezca.                     |
|   | El filtro o la pantalla reguladora están tapados.  | Limpie el filtro y la pantalla reguladora.                             |
| Velocidad de flujo baja.                                  | La válvula de suspensión no está completamente abierta.  | Abra completamente la válvula de suspensión.                           |
|   | El filtro o la pantalla reguladora están tapados.  | Limpie el filtro y la pantalla reguladora.                             |
| La temperatura del agua es demasiado alta.                | La llave de control de temperatura está en "H".  | Fije la llave de control de temperatura en el punto medio.             |
|   | La válvula de suspensión conectada al suministro de agua fría no está completamente abierta.     | Abra completamente la válvula de suspensión de agua fría.              |
| La temperatura del agua es demasiado baja.                | La llave de control de temperatura está en "C".  | Fije la llave de control de temperatura en el punto medio.             |
|   | La válvula de suspensión conectada al suministro de agua caliente no está completamente abierta. | Abra completamente la válvula de suspensión de agua caliente.          |
|   | La temperatura del suministro de agua caliente es menor a 120°F (49°C).                          | Fije la temperatura del suministro de agua caliente en 120 °F (49 °C). |
| La temperatura del agua no está controlada correctamente. | Un lado de la válvula de suspensión no está completamente abierto.                               | Abra completamente la válvula de suspensión.                           |
|   | El filtro o la pantalla reguladora están tapados.  | Limpie el filtro y la pantalla reguladora.                             |

# GARANTÍA

1. TOTO garantiza que sus válvulas de descarga y grifos automáticos ("Producto") no presentan defectos en sus materiales ni de fabricación durante su uso normal cuando son instalados y mantenidos adecuadamente, por un periodo de tres (3) años a partir de la fecha de compra. Esta garantía limitada es válida solamente para el COMPRADOR ORIGINAL del Producto y no es transferible a una tercera persona, incluyendo, pero sin limitarse a, cualquier comprador o propietario subsecuente del Producto. Esta garantía aplica solamente al Producto TOTO comprado e instalado en América del Norte, Central y del Sur.
2. Las obligaciones de TOTO bajo esta garantía se limitan a la reparación, cambio o cualquier otro ajuste, a petición de TOTO, del Producto o partes que resulten defectuosas en su uso normal, siempre que dicho Producto haya sido instalado, utilizado y mantenido de acuerdo con las instrucciones. TOTO se reserve el derecho de hacer tantas inspecciones como sean necesarias para determinar la causa del defecto. TOTO no cobrará por la mano de obra o partes relacionadas con las reparaciones o cambios garantizados. TOTO no es responsable por el costo de la remoción, devolución y/o reinstalación del Producto.
3. Esta garantía no aplica en los siguientes casos:
  - a. Daño o pérdida ocurrida en un desastre natural, tal como: incendio, sismo, inundación, relámpago, tormenta eléctrica, etc.
  - b. Daño o pérdida resultado de cualquier accidente, uso no razonable, mal uso, abuso, negligencia o cuidado, limpieza o mantenimiento inadecuado del Producto, incluyendo el uso de un agente limpiador abrasivo o el uso de cualquier otro producto de limpieza de manera inconsistente con las instrucciones del Producto.
  - c. Daño o pérdida causada por los sedimentos o material extraña contenida en un sistema de agua.
  - d. Daño o pérdida causada por una mala instalación o por la instalación del Producto en un ambiente duro y/o peligroso, o una remoción, reparación o modificación inadecuada del Producto.
  - e. Daño o pérdida causada por sobrecargas eléctricas o rayos u otros actos que no sean responsabilidad de TOTO o que el Producto no esté especificado para tolerar.
  - f. Daño o pérdida causada por el uso normal y personalizado, tal como reducción del brillo, rayado o pérdida de color en el tiempo debido al uso, prácticas de limpieza o condiciones del agua o atmosféricas.
4. Para que esta garantía limitada sea válida, prueba de compra es necesaria. TOTO anima el registro de la garantía sobre compra para cree un archivo de la propiedad del producto en <http://www.totousa.com>. El registro del producto es totalmente voluntario y la falta a registrar no disminuirá sus derechos de garantía limitada.
5. ESTA GARANTÍA LE DA DERECHOS LEGALES ESPECÍFICOS. USTED PODRÍA TENER OTROS DERECHOS QUE PUEDEN VARIAR DEPENDIENDO DEL ESTADO O PROVINCIA EN EL QUE SE ENCUENTRE.
6. Para obtener el servicio de reparación de esta garantía, debe llevar el Producto o enviarlo prepagado a un modulo de servicios TOTO junto con la prueba de compra (recibo de compra original) y una carta en la que plantee el problema, o póngase en contacto con un distribuidor TOTO o el contratista de servicio de los productos, o escriba directamente a TOTO U.S.A., INC., 1155 Southern Road, Morrow, GA 30260 (888) 295 8134 o (678) 466-1300, si fuera de los E.E.U.U. Si, debido al tamaño del producto o naturaleza del defecto, el Producto no puede ser devuelto a TOTO, la recepción en TOTO del aviso escrito del defecto junto con la prueba de compra (recibo de compra original) constituirá el envío. En tal caso, TOTO podrá escoger entre reparar el Producto en el domicilio del comprador o pagar el transporte del Producto a un módulo de servicio.

ESTA GARANTÍA ESCRITA ES LA ÚNICA GARANTÍA HECHA POR TOTO. LA REPARACIÓN, CAMBIO U OTRO AJUSTE ADECUADO, TAL COMO APARECE EN ESTA GARANTÍA, SERÁ EL ÚNICO REMEDIO DISPONIBLE PARA EL COMPRADOR ORIGINAL. TOTO NO SERÁ RESPONSABLE POR LA PÉRDIDA DEL PRODUCTO O POR CUALQUIER OTRO DAÑO ACCIDENTAL, ESPECIAL O CONSECUENTE O POR DAÑOS INCURRIDOS POR EL COMPRADOR ORIGINAL, O POR LA MANO DE OBRA U OTROS COSTOS RELACIONADOS CON LA INSTALACIÓN O REMOCIÓN, O COSTOS DE REPARACIONES HECHAS POR OTROS, O POR CUALQUIER OTRO GASTO NO INDICADO DE MANERA ESPECÍFICA EN LOS PÁRRAFOS ANTERIORES. EN NINGÚN CASO LA RESPONSABILIDAD DE TOTO EXCEDERÁ EL PRECIO DE COMPRA DEL PRODUCTO. EXCEPTO EN LA MEDIDA EN QUE QUEDE PROHIBIDO POR LA LEY APLICABLE, TODA GARANTÍA IMPLÍCITA, INCLUYENDO AQUELLAS DE COMERCIABILIDAD O IDONEIDAD DE USO PARA EL USO O PARA UN PROPÓSITO PARTICULAR, ESTÁ EXPRESAMENTE PROHIBIDA. ALGUNOS ESTADOS NO PERMITEN LAS LIMITACIONES ACERCA DE LA DURACIÓN DE UNA GARANTÍA TÁCITA, O LA EXCLUSIÓN O LIMITACIÓN DE DAÑOS INCIDENTALES O CONSECUENTES, POR LO QUE LA LIMITACIÓN E INCLUSIÓN ANTERIORES PUEDEN NO APLICAR A USTED.

## TABLE DES MATIÈRES

|   |    |
|---|----|
| Merci d'avoir choisi TOTO ! .....                 | 14 |
| Prudence .....                                    | 14 |
| Pièces incluses .....                             | 15 |
| <b>Outils nécessaires</b> .....                   | 15 |
| Avant de commencer .....                          | 15 |
| Entretien et nettoyage .....                      | 15 |
| Procédure d'Installation .....                    | 16 |
| Réglage de la température maximale de l'eau ..... | 17 |
| Réglage de la température de l'eau .....          | 17 |
| Accès aux vannes et nettoyage .....               | 17 |
| Caractéristiques .....                            | 18 |
| Depannage .....                                   | 18 |
| Garantie .....                                    | 19 |
| Robinetterie brute .....                          | 26 |
| Diagramme de flux .....                           | 26 |

## MERCI D'AVOIR CHOISI TOTO!

La mission de TOTO est d'offrir au monde entier un style de vie sain, hygiénique et plus confortable. Nous concevons chaque produit de manière à atteindre un équilibre entre la forme et la fonction. Félicitations pour votre choix.

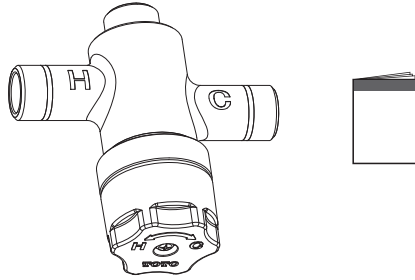
## PRUDENCE

Veillez lire et respecter les consignes ci-dessous. Le non-respect de ces recommandations pourrait entraîner des blessures ou des dommages matériels.

- L'installateur doit régler la température maximale de l'eau pour cette vanne. La température maximale de l'eau ne doit jamais dépasser 120°F (49°C).
- Veuillez ne pas l'utiliser si une grande différence de pression existe entre l'alimentation d'eau chaude et d'eau froide.
- N'utilisez pas cette vanne si la température ambiante est inférieure à 32 °F (0 °C).
- N'inversez pas les entrées d'eau chaude et d'eau froide.
- Isolez la tuyauterie d'alimentation d'eau chaude afin de réduire au minimum les pertes de chaleur.
- N'utilisez pas de vapeur pour l'alimentation en eau chaude.
- Ne démontez pas la cartouche thermostatique.
- N'utilisez pas cette vanne dans des endroits humides où l'eau courante ou de la condensation pourrait s'accumuler à la surface, particulièrement dans un sauna ou un hammam.
- Assurez vous de toujours fermer la valve d'arrêt avant de nettoyer l'épurateur.
- Vérifiez régulièrement les tuyaux pour détecter les fuites.
- Si la température de la pièce diminue jusqu'au point de congélation, enveloppez les tuyaux d'un isolant.

## PIÈCES INCLUSES

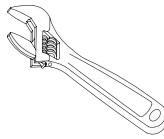
Assurez-vous que toutes les pièces sont incluses dans l'emballage\*:  
(Certains composants peuvent varier en fonction du modèle.)



## OUTILS NÉCESSAIRES



Thermomètre



Clé à molette



Tournevis

## AVANT DE COMMENCER

- Observez toutes les réglementations locales sur la plomberie.
- Vidangez toute la tuyauterie avant d'installer la vanne.
- Assurez-vous que l'alimentation en eau est coupée.
- Lisez avec attention ces instructions afin d'assurer une installation adéquate.
- TOTO se réserve le droit de modifier la conception du produit sans avis préalable.

## ENTRETIEN ET NETTOYAGE

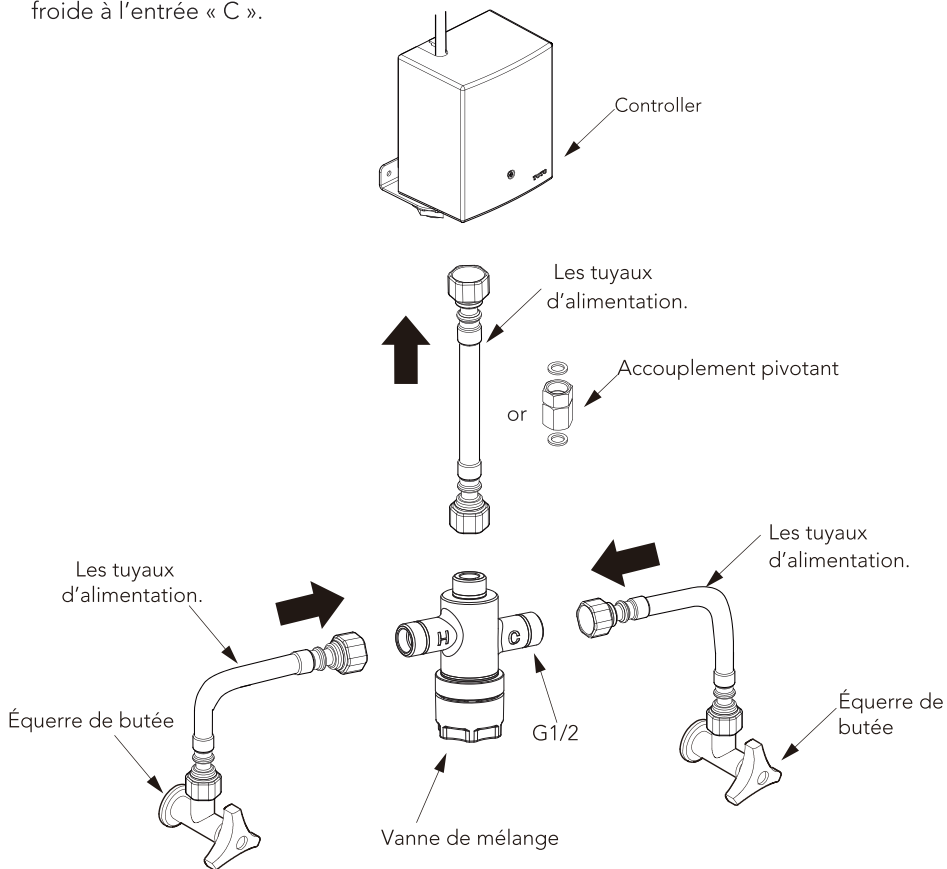
Su nueva grifería está diseñada para años de funcionamiento sin problemas. Manténgala luciendo como nueva mediante una limpieza periódica con jabón suave, enjuague minuciosamente con agua tibia y séquela con un paño limpio y suave. No use limpiadores abrasivos, lana de acero ni productos químicos fuertes ya que éstos opacarán el acabado. El no cumplir con estas instrucciones podría anular su garantía.

# PROCÉDURE D'INSTALLATION

## MISE EN GARDE : RISQUE DE BLESSURES.

L'installateur doit régler la température maximale de l'eau pour cette vanne. La température maximale de l'eau ne doit jamais dépasser 120°F (49°C).

- 1) Coupez l'alimentation en eau principale.
- 2) Branchez l'alimentation en eau chaude à l'entrée « H » et l'alimentation en eau froide à l'entrée « C ».

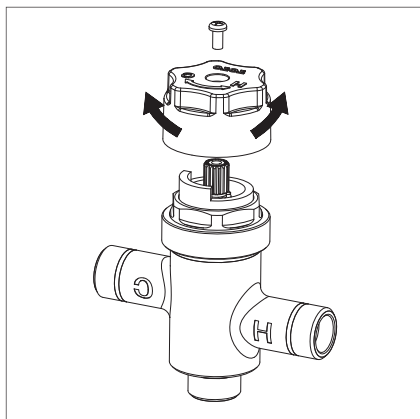


G1/2 compatible avec ½ NPSM  
Seulement la vanne de mélange inclus

## RÉGLAGE DE LA TEMPÉRATURE MAXIMALE DE L'EAU

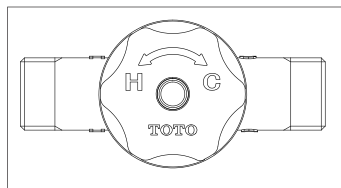
- 1) Fermez les robinets d'arrêt.
- 2) Pour diminuer la température :  
Retirez lentement la butée d'arrêt, tournez dans le sens antihoraire d'un cran, puis réinstallez-la.  
Pour augmenter la température :  
Retirez lentement la butée d'arrêt, tournez dans le sens horaire d'un cran, puis réinstallez-la.
- 3) Installez le contre-écrou et la poignée.
- 4) Ouvrez les robinets d'arrêt.
- 5) Vérifiez la température de l'eau.

\*\* Répétez les étapes 1 à 5 si nécessaire.



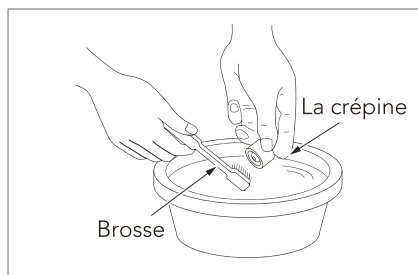
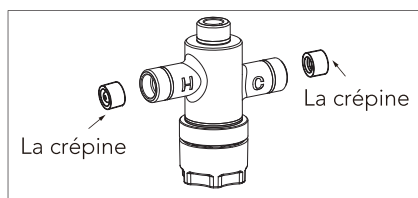
## RÉGLAGE DE LA TEMPÉRATURE DE L'EAU

- 1) Pour diminuer la température, tournez la poignée dans le sens horaire.
- 2) Pour augmenter la température, tournez la poignée dans le sens antihoraire.



## ACCÈS AUX VANNES ET NETTOYAGE

- 1) Fermez les robinets d'arrêt.
- 2) Débranchez les tuyaux d'alimentation.
- 3) Déposez la crépine et nettoyez-la avec une brosse.
- 4) Remettez la crépine et branchez les tuyaux d'alimentation d'eau.
- 5) Ouvrez les robinets d'arrêt.



## CARACTÉRISTIQUES

|  |   |
|--|---|
| Pression de l'alimentation en eau        | Pression minimum d'eau requise : 15 psi (100 kPa) (coulant)   |
|  | Pression d'eau maximum : 80 psi (551 kPa)   |
| Branchement de l'alimentation en eau     | G1/2 compatible avec ½ NPSM   |
| Température ambiante                     | 32~104 °F (0~40 °C)   |
| Humidité                                 | Max. 90 % HR  |
| Plage de température recommandée (chaud) | 120 ~ 180°F (49 ~ 82°C)   |
| Plage de température recommandée (froid) | 39 ~ 80°F (4 ~ 27°C)  |
| Plage de réglage de la température       | temperatura comum ~ 120°F (49°C)<br>(Le réglage d'usine 100±4°F (38±2°C)<br>@30 psi (206 kPa), Température ambiante<br>froide, Chaude 176°F (80°C)) |
| Débit minimum                            | 0.35gpm(1.33L/min)  |

## DÉPANNAGE

| Problème  | Cause   | Solution   |
|---|---|--|
| L'eau ne commence pas à couler.                           | La valve d'arrêt est fermée.  | Allumez la valve.  |
|   | La source d'eau est suspendue.  | Attendez jusqu'à ce que la source d'eau soit restaurée.            |
|   | Le tamis ou l'écran de réglage est bouché.  | Nettoyez le tamis et l'écran régulateur.                           |
| Débit faible.   | La valve d'arrêt n'est pas complètement ouverte.                                    | Ouvrez la valve d'arrêt complètement.                              |
|   | Le tamis ou l'écran de réglage est bouché.  | Nettoyez le tamis et l'écran régulateur.                           |
| La température de l'eau est trop élevée                   | La poignée de contrôle de la température est réglée à « H ».                        | Fixez la poignée de contrôle de la température au point du milieu. |
|   | La valve d'arrêt connectée à la source d'eau froide n'est pas complètement ouverte. | Ouvrez la valve d'arrêt d'eau froide complètement.                 |
| La température de l'eau est trop basse.                   | La poignée de contrôle de la température est réglée à « C ».                        | Fixez la poignée de contrôle de la température au point du milieu. |
|   | La valve d'arrêt connectée à la source d'eau chaude n'est pas complètement ouverte. | Ouvrez la valve d'arrêt d'eau chaude complètement.                 |
|   | La température de la source d'eau chaude est inférieure à 120 °F.                   | Fixez la température de la source d'eau chaude à 120°F.            |
| La température de l'eau n'est pas contrôlée correctement. | Un côté de la valve d'arrêt n'est pas complètement ouvert.                          | Ouvrez la valve d'arrêt complètement.                              |
|   | Le tamis ou l'écran de réglage est bouché.  | Nettoyez le tamis et l'écran régulateur.                           |

# GARANTIE

1. TOTO garantit ses robinets de chasse électronique et robinets (« Produit ») contre tout défaut de matériel et de fabrication pendant l'utilisation normale, lorsqu'ils sont correctement installés et maintenus pendant une période de trois ans (3) à partir de la date d'achat. La présente garantie limitée ne peut être prolongée que pour le seul ACHETEUR D'ORIGINE de l'appareil et n'est pas transférable à un tiers, y compris mais pas limité à tout acheteur ou propriétaire subséquent du produit. Cette garantie n'est applicable qu'aux produits achetés et installés en Amérique du Nord, Centrale, et du Sud.
2. Les obligations de TOTO selon les termes de cette garantie sont limitées à la réparation, remplacement ou autre ajustement en conséquence, au choix de TOTO, des produits ou des pièces défectueuses en service normal, pourvu qu'un tel produit ait été installé, utilisé et entretenu conformément aux instructions. TOTO se réserve le droit d'effectuer ce genre de vérifications en cas de nécessité afin de déterminer la cause du défaut. TOTO ne facturera pas les interventions ou les pièces relatives à la réparation et au remplacement sous garantie. TOTO n'est pas responsable du coût de désinstallation, de renvoi et/ou de réinstallation de l'appareil.
3. La garantie ne s'applique pas dans les cas suivants:
  - a. Dommage ou perte suite à une cause naturelle telle que incendie, tremblement de terre, inondation, tonnerre, orage etc.
  - b. Dommage ou perte causé par tout accident, utilisation non adaptée, abus, négligence ou mauvais traitement, nettoyage ou entretien de l'appareil, y compris l'utilisation d'agent abrasif ou l'utilisation d'autres produits de nettoyage de façon incompatible aux instructions de l'appareil.
  - c. Dommage ou perte causé par des sédiments ou tout autre corps étranger contenus dans un réseau d'alimentation en eau.
  - d. Dommage ou perte suite à une mauvaise installation ou à l'installation de l'appareil dans un environnement rude et/ou dangereux ou une mauvaise désinstallation, réparation ou modification de l'appareil.
  - e. Dommage ou perte suite à des surtensions, foudres ou tous autres actes qui ne sont pas la responsabilité de TOTO, ou actes stipulés non supportables par le produit
  - f. Dommage ou perte résultant d'une usure normale et habituelle, telle que la diminution du lustre, grattage ou décoloration avec le temps, habitude de nettoyage, l'eau, ou des conditions atmosphériques.
4. Pour que la garantie limitée soit valable, la preuve d'achat est exigée. TOTO vous encourage à enregistrer votre produit après l'achat pour créer un record de propriété, cela peut être fait au site <http://www.totousa.com>. L'enregistrement du produit est complètement volontaire et à défaut de l'enregistrement ne va pas limiter votre droit à garantie limitée.
5. CETTE GARANTIE DONNE DES DROITS SPÉCIFIQUES. IL EST POSSIBLE QUE L'ACHETEUR AIT D'AUTRES DROITS QUI VARIENT D'UN ÉTAT À UN AUTRE OU D'UNE PROVINCE À L'AUTRE.
6. Pour obtenir une réparation selon les termes de cette garantie, l'acheteur doit livrer le produit dans un centre de réparation de TOTO port payé avec preuve d'achat (reçu de caisse original), et une lettre expliquant le problème, ou contacter un distributeur de TOTO ou un entrepreneur de réparation du produit ou écrire directement à TOTO U.S.A., INC., Southern Road, Morrow, Géorgie 30260, (888) 295-8134 ou appelé (678) 466-1300, si en dehors de L'Etat Unis. Si, à cause de la taille du produit ou de la nature du défaut, il n'est pas possible de renvoyer le produit à TOTO, la réception par TOTO d'un avis écrit du défaut avec preuve d'achat (reçu de caisse original) constitue livraison. Dans un tel cas, TOTO peut choisir de réparer le produit chez l'acheteur ou de payer le transport du produit à un centre de réparation.

CETTE GARANTIE ÉCRITE EST LA SEULE GARANTIE FAITE PAR TOTO. LA RÉPARATION, LE REMPLACEMENT OU TOUT AUTRE AJUSTEMENT APPROPRIÉ SELON LES TERMES DE CETTE GARANTIE EST LE SEUL RECOURS DE L'ACHETEUR INITIAL. TOTO N'EST PAS RESPONSABLE DE LA PERTE DU PRODUIT OU DE TOUT AUTRE DOMMAGE INDIRECT, SPÉCIAL OU SECONDAIRE OU DES DÉPENSES ENCOURUES PAR L'ACHETEUR INITIAL NI DE LA MAIN-D'ŒUVRE OU AUTRES FRAIS ASSOCIÉS À L'INSTALLATION OU LA MANIPULATION, OU LES FRAIS DE RÉPARATION PAR DES TIERS, NI POUR TOUS AUTRES FRAIS PAS SPÉCIFIQUEMENT MENTIONNÉS. EN AUCUN CAS, LA RESPONSABILITÉ DE TOTO NE PEUT DÉPASSER LE PRIX D'ACHAT DU PRODUIT. SAUF QUAND INTERDITE PAR UNE LOI APPLICABLE, TOUTE GARANTIE SOUS-ENTENDUE, Y COMPRIS CELLE DE VENDABILITÉ OU D'APPLICATION POUR UN USAGE PARTICULIER, EST EXPRESSÉMENT REJETÉ. CERTAINS PAYS NE PERMETTENT PAS LA LIMITATION DE LA LONGUEUR D'UNE GARANTIE SOUS-ENTENDUE, OU L'EXCLUSION OU LA LIMITATION DES DOMMAGES INDIRECTS OU SECONDAIRES, IL EST DONC POSSIBLE QUE CETTE LIMITATION ET EXCLUSION NE S'APPLIQUE PAS À VOTRE CAS.



## ÍNDICE

|   |    |
|---|----|
| Obrigado por escolher a TOTO ! .....        | 20 |
| Avisos .....                                | 20 |
| Peças incluídas .....                       | 21 |
| Ferramentas que você vai precisar .....     | 21 |
| Antes da instalação .....                   | 21 |
| Cuidados e limpeza .....                    | 21 |
| Procedimento de instalação .....            | 22 |
| Ajuste da temperatura máxima de saída ..... | 23 |
| Ajuste da temperatura de saída .....        | 23 |
| Acesso e limpeza de válvulas .....          | 23 |
| Especificações .....                        | 24 |
| Resolução de problemas .....                | 24 |
| Garantia .....                              | 25 |
| Dimensões aproximadas .....                 | 26 |
| Fluxograma .....                            | 26 |

## OBRIGADO POR ESCOLHER A TOTO!

A missão da TOTO é proporcionar ao mundo um estilo de vida saudável, higiênico e mais confortável. Como princípio norteador, projetamos cada produto com equilíbrio entre forma e função. Parabéns pela sua escolha.

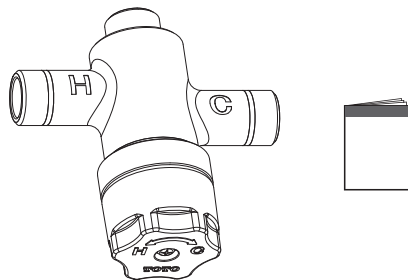
## AVISOS

Leia e respeite as recomendações a seguir. A não observância destas recomendações pode causar ferimentos pessoais e/ou danos ao equipamento.

- Essa válvula requer que a temperatura máxima de saída seja ajustada/definida pelo instalador. A temperatura máxima da água nunca deve passar de 49°C (120°F).
- Não use essa válvula se houver uma grande diferença na pressão entre o fornecimento de água quente e o fornecimento de água fria.
- Não use essa válvula em uma temperatura ambiente abaixo de 0°C (32°F).
- Não inverta as entradas de água quente e de água fria.
- Isole o tubo de fornecimento de água quente para minimizar a perda de calor.
- Não use vapor para o fornecimento de água quente.
- Não desmonte o cartucho termostático.
- Não use esta torneira em um local úmido em que possa acumular água corrente ou de condensação na superfície, especialmente em uma sauna ou no banho a vapor.
- Feche sempre a(s) válvula(s) de retenção antes de limpar o filtro.
- Verifique periodicamente a tubulação quanto a vazamentos.
- Se a temperatura cair ao nível de congelamento, isole os tubos.

## PEÇAS INCLUÍDAS

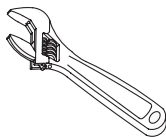
Confira para certificar-se de que todas estas peças constam da embalagem\*:  
(o aspecto de alguns componentes pode variar dependendo do modelo)



## FERRAMENTAS QUE VOCÊ VAI PRECISAR



Termômetro



Chave ajustável



chaves de parafuso

## ANTES DA INSTALAÇÃO

- Observe todas as normas técnicas locais.
- Escoe toda água dos sistemas de água quente e fria, antes de instalar a válvula.
- Certifique-se de ter desligado o abastecimento de água.
- Leia estas instruções com cuidado, para garantir a instalação adequada.
- A TOTO reserva-se o direito de atualizar o modelo do produto, sem aviso prévio.

## CUIDADOS E LIMPEZA

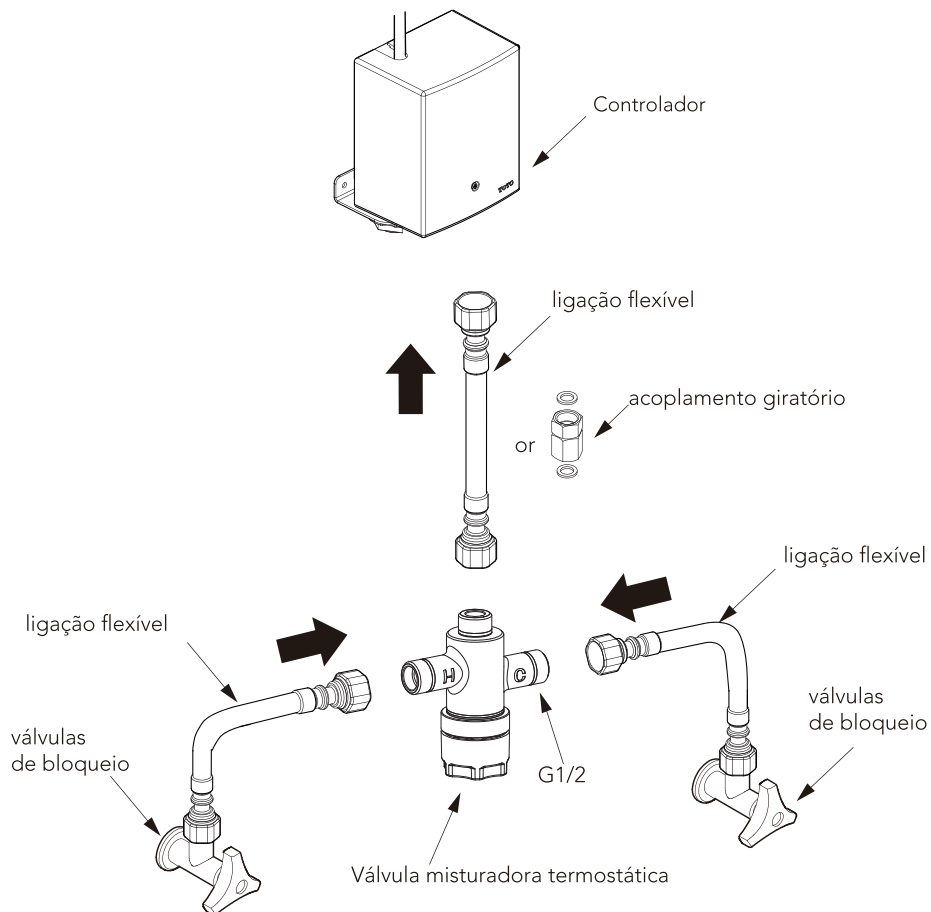
Sua nova válvula foi projetada para anos de operação sem problemas. Mantenha-a como nova limpando-a periodicamente com sabão leve, enxaguando com água morna e secando com um pano limpo e macio. Não use limpadores abrasivos, palha de aço ou produtos químicos fortes, pois eles danificarão o acabamento da válvula. A falha em seguir estas instruções pode anular a garantia.

## PROCEDIMENTOS DE INSTALAÇÃO

### PRECAUÇÃO: RISCO DE LESÃO PESSOAL.

Essa válvula requer que a temperatura máxima de saída seja ajustada/definida pelo instalador. A temperatura máxima da água nunca deve passar de 49°C (120°F).

- 1) Desligue o abastecimento de água principal.
- 2) Conecte o abastecimento de água quente à esquerda marcada com "H" e o abastecimento de água fria à direita marcada com "C".



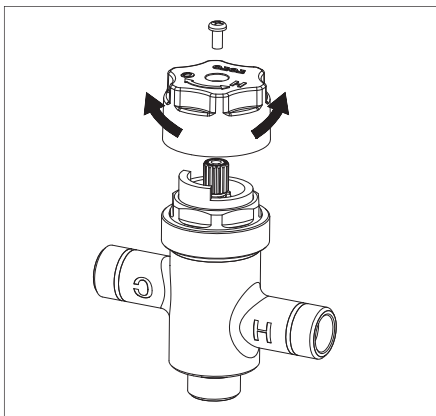
G1/2 compatível com 1/2 NPSM

Apenas a válvula misturadora termostática incluída

## AJUSTE DA TEMPERATURA MÁXIMA DE SAÍDA

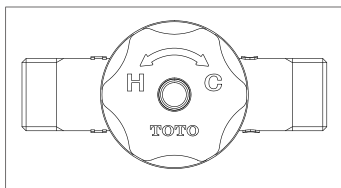
- 1) Desligue a água nas válvulas de p bloqueio.
- 2) Para reduzir a temperatura:  
Puxe e remova o limitador lentamente, gire-o uma estria no sentido anti-horário e reinstale o limitador  
Para aumentar a temperatura:  
Puxe e remova o limitador lentamente, gire-o uma estria no sentido horário e reinstale o limitador
- 3) Instale a porca de bloqueio e a alça.
- 4) Abra as válvulas de bloqueio.
- 5) Verifique a temperatura da água.

\*\*Repita as etapas de 1 a 5, se necessário



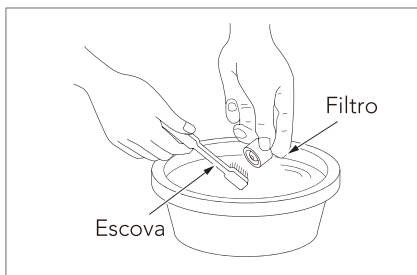
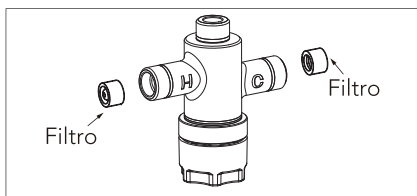
## AJUSTE DA TEMPERATURA DE SAÍDA

- 1) Para reduzir a temperatura, gire a canopla no sentido horário.
- 2) Para aumentar a temperatura, gire a canopla no sentido anti-horário.



## ACESSO E LIMPEZA DE VÁLVULAS

- 1) Desligue a água nas válvulas de bloqueio.
- 2) Desconecte as ligações flexíveis.
- 3) Retire o filtro e limpe-o com uma escova.
- 4) Reinstale o filtro limpo e conecte as ligações flexíveis de água.
- 5) Abra as válvulas de bloqueio.



## ESPECIFICAÇÕES

|   |   |
|---|---|
| Pressão de abastecimento de água            | Pressão mínima de água exigida: 15 psi (100 kPa) (dinâmica)   |
|   | Pressão máxima de água: 80 psi (551 kPa)(estática)  |
| Conexão do fornecimento de água             | G1/2  |
| Temperatura ambiente                        | 32 °F a 104 °F (0 a 40 °C)  |
| Umidade                                     | Máx. 90% RH   |
| Varição de temperatura recomendada (quente) | 120 ~ 180°F (49 ~ 82°C)   |
| Varição de temperatura recomendada (frio)   | 39 ~ 80°F (4 ~ 27°C)  |
| Faixa de ajuste da temperatura              | temperatura comum ~ 120°F (49°C)<br>(Configuração de fábrica 100±4°F (38±2°C)<br>@30 psi (206 kPa), frio temperatura comum,<br>quente 176°F (80°C)) |
| Fluxo mínimo                                | 0.35gpm(1.33L/min)  |

## Resolução de problemas

| Problema  | Causa   | Solução   |
|---|---|---|
| A água não começou a correr.                              | A válvula de bloqueio está desligada.   | Abra a válvula.   |
|   | O abastecimento de água está suspenso.  | Aguarde até que o abastecimento de água seja restabelecido.               |
|   | O filtro ou a tela está entupida.   | Limpe o filtro e tela.  |
| Vazão baixa.  | A válvula de bloqueio não está totalmente aberta.   | Abra completamente a válvula de bloqueio.                                 |
|   | O filtro ou a tela está entupida.   | Limpe o filtro e tela.  |
| A temperatura da água está muito alta.                    | A canopla de temperatura está ajustada em "H" (quente).                                     | Posicione a canopla de temperatura no ponto médio.                        |
|   | A válvula de bloqueio conectada ao abastecimento de água fria não está totalmente aberta.   | Abra completamente a válvula de bloqueio de água fria.                    |
| A temperatura da água está muito baixa.                   | A canopla de temperatura está ajustada em "C" (frio).                                       | Posicione a canopla de temperatura no ponto médio.                        |
|   | A válvula de bloqueio conectada ao abastecimento de água quente não está totalmente aberta. | Abra completamente a válvula de bloqueio de água quente.                  |
|   | A temperatura de abastecimento de água quente é inferior a 120 °F (49 °C).                  | Ajuste a temperatura de abastecimento de água quente para 120 °F (49 °C). |
| A temperatura da água não foi controlada apropriadamente. | Um lado da válvula de bloqueio não está totalmente aberto.                                  | Abra completamente a válvula de bloqueio.                                 |
|   | O filtro ou a tela está entupida.   | Limpe o filtro e tela.  |

# GARANTIA

TOTO DO BRASIL DISTRIBUIÇÃO E COMÉRCIO, LTDA.

## GARANTIA LIMITADA DE TRÊS ANOS

A garantia se aplica somente às Válvulas de Descarga Eletrônicas, Torneiras e Distribuidores de Sabão.

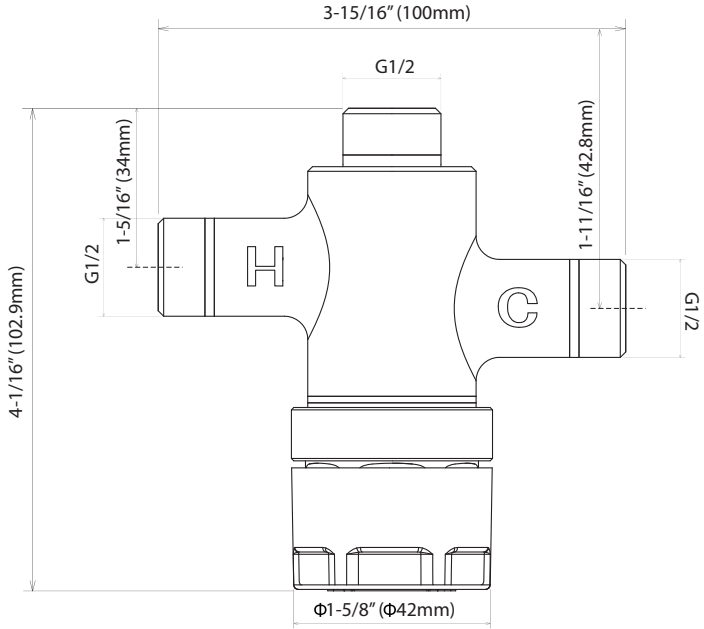
1. A TOTO garante suas válvulas de descarga eletrônicas, torneiras e dispensadores de sabão ("Produto") contra defeitos de material e de fabricação durante o uso normal quando instalados e submetidos à manutenção adequada, por um período de três (3) anos à partir da data da compra. Esta garantia limitada é estendida apenas ao COMPRADOR ORIGINAL do Produto e não é transferível a terceiros, incluindo, mas não limitado a, qualquer comprador ou proprietário subsequente do Produto. Esta garantia se aplica somente a Produtos da TOTO comprados e instalados no Brasil.
2. As obrigações da TOTO sob esta garantia estão limitadas a reparos, substituições ou outros ajustes apropriados, a critério da TOTO, do Produto ou de peças que apresentem defeitos durante o uso normal, contanto que tal Produto tenha sido instalado, usado e submetido à manutenção adequada de acordo com as instruções. A TOTO se reserva o direito de realizar tais inspeções conforme necessário para determinar a causa do defeito. A TOTO não cobrará pela mão de obra ou por peças relacionadas a reparos ou substituições em garantia. A TOTO não é responsável pelo custo de remoção, devolução e/ou reinstalação do Produto.
3. Esta garantia não se aplica aos seguintes itens:
  - a. Danos ou perdas sofridos em desastres naturais como incêndios, terremotos, enchentes, trovoadas, tempestades elétricas etc.
  - b. Danos ou perdas resultantes de quaisquer acidentes, uso excessivo, uso indevido, abuso, negligência ou de cuidados, limpeza ou manutenção inadequada do Produto.
  - c. Danos ou perdas resultantes de sedimentos ou corpos estranhos contidos em um sistema hidráulico.
  - d. Danos ou perdas resultantes de instalação inadequada ou instalação do Produto em um ambiente severo e/ou de risco, ou de remoção, reparos ou modificações inadequados do Produto, o que inclui o uso de componentes não originais da TOTO.
  - e. Danos ou perdas resultantes de oscilações de energia ou quedas de raios ou outros atos que não sejam de responsabilidade da TOTO ou os quais o Produto não seja especificado para suportar.
  - f. Danos ou perdas resultantes do desgaste normal e habitual, como redução do brilho, arranhões ou desbotamento ao longo do tempo devido ao uso, práticas de limpeza ou água ou condições atmosféricas, incluindo, mas não limitados a, o uso de alvejantes, álcali, limpadores ácidos, limpadores a seco (pó) ou quaisquer outros limpadores abrasivos ou o uso de esponjas de metal ou nylon.

Para obter o serviço de reparos da garantia sob esta garantia, por favor envie um e-mail para [suporte@br.toto.com](mailto:suporte@br.toto.com) para obter instruções sobre como proceder com sua reivindicação. Você pode ser instruído a (1) levar o Produto ou fazer a entrega pré-paga a um prestador de serviços da TOTO juntamente com o comprovante de compra (recibo de compra original) e uma carta declarando o problema; (2) entrar em contato com um distribuidor ou prestador de serviços de produtos da TOTO; ou (3) se, devido ao tamanho do Produto ou natureza do defeito, o Produto não puder ser devolvido a um centro de assistência autorizado da TOTO, a TOTO pode optar por reparar o Produto no local do comprador ou pagar pelo transporte do Produto para uma prestadora de serviços.

**ATENÇÃO!** A TOTO não é responsável por qualquer defeito de, ou dano a, esse Produto causado por cloraminas no tratamento do fornecimento público de água ou limpadores contendo cloro (hipoclorito de cálcio). **ATENÇÃO:** O uso de alta concentração de cloro ou produtos à base de cloro pode danificar seriamente os acessórios. Esse dano pode causar vazamentos e outros problemas graves.

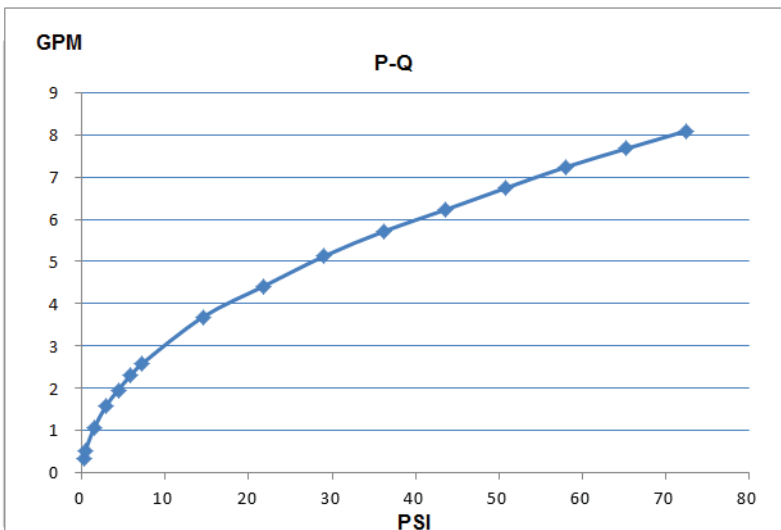
**ESTA GARANTIA POR ESCRITO É A ÚNICA GARANTIA FEITA PELA TOTO. REPAROS, SUBSTITUIÇÕES OU OUTROS AJUSTES APROPRIADOS CONFORME FORNECIDOS SOB ESTA GARANTIA SERÃO O ÚNICO RECURSO DISPONÍVEL AO COMPRADOR ORIGINAL. A TOTO NÃO SERÁ RESPONSÁVEL PELA PERDA DO PRODUTO OU POR OUTROS DANOS OU GASTOS INCIDENTAIS, ESPECIAIS OU CONSEQUENTES INCORRIDOS PELO COMPRADOR ORIGINAL OU POR CUSTOS DE MÃO DE OBRA OU OUTROS DEVIDO À INSTALAÇÃO OU REMOÇÃO, OU CUSTOS DE REPAROS FEITOS POR TERCEIROS, OU POR QUALQUER OUTRO GASTO NÃO DECLARADO ESPECIFICAMENTE ACIMA. EM NENHUM CASO A RESPONSABILIDADE DA TOTO EXCEDERÁ O PREÇO DE COMPRA DO PRODUTO. EXCETO QUANTO À EXTENSÃO PROIBIDA POR LEI APLICÁVEL, QUAISQUER GARANTIAS IMPLÍCITAS, INCLUINDO A DE COMERCIALIZIDADE OU ADEQUAÇÃO PARA USO OU PARA UMA FINALIDADE ESPECÍFICA, SÃO EXPRESSAMENTE ISENTAS. ALGUNS PAÍSES, REGIÕES, ESTADOS ETC. NÃO PERMITEM LIMITAÇÕES SOBRE A DURAÇÃO DE UMA GARANTIA IMPLÍCITA OU A EXCLUSÃO OU LIMITAÇÃO DE DANOS INCIDENTAIS OU CONSEQUENTES, PORTANTO, A LIMITAÇÃO E A EXCLUSÃO ACIMA PODEM NÃO SE APLICAR A VOCÊ.**

# ROUGH-IN DIMENSIONS / BOSQUEJO / ROBINETTERIE BRUTE/DIMENSÕES APROXIMADAS



G1/2 compatible with 1/2 NPSM

## FLOW CHART/DIAGRAMA DE FLUJO/ DIAGRAMME DE FLUX/FLUXOGRAMA



# TOTO

TOTO U.S.A., Inc. 1155 Southern Road,  
Morrow, Georgia 30260  
Tel: 888-295-8134 Fax: 800-699-4889  
[www.totousa.com](http://www.totousa.com)

0GU3071  
Rev.B



0G572XR

## Warranty Registration and Inquiry

For product warranty registration, TOTO U.S.A. Inc. recommends online warranty registration. Please visit our web site <http://www.totousa.com>. If you have questions regarding warranty policy or coverage, please contact TOTO U.S.A. Inc., Customer Service Department, 1155 Southern Road, Morrow, GA 30260 (888) 295-8134 or (678) 466-1300 when calling from outside of U.S.A.