

Fig. 980 - TOLCO Universal swivel sway brace attachment -³/₈"-16 to ³/₄"-10 rods
Fig. 980H - TOLCO Universal swivel sway brace attachment -⁷/₈"-9 to 1¹/₄"-7

Size Range: One size fits bracing pipe 1" (25mm) thru 2" (50mm), Eaton B-Line series 12 gauge (2.6mm) channel.

Material: Carbon steel

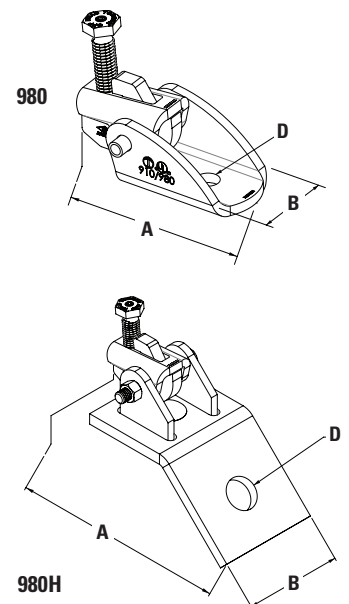
Function: The Fig. 980 is the structural or transitional attachment component of a longitudinal or lateral sway brace assembly. It is intended to be combined with the a 1" through 2" "bracing pipe" and TOLCO "brace pipe" attachment to form a complete bracing assembly. Sway brace assemblies are intended to be installed in accordance with NFPA 13 and the manufacturer's installation instructions.

Features: A concentric attachment opening which is critical to the performance of structural seismic connections. NFPA 13 (2010) 9.3.5.8.4 indicates clearly that fastener table load values are based only on concentric loading. Mounts to any surface angle. Break-off bolt head helps assure verification of proper installation.

To install: Place the Fig. 980 onto the "bracing pipe" so that there is no more than an ¹/₈" gap between the end of the bracing pipe and the back of the jaw. Tighten the set screw until the head breaks off (hint: apply between 36-40 lb. ft. of torque). When using in combination with a Fig. 825A, Fig. 825, Fig. 828, or Fig. 906, refer to those instruction sheets, otherwise select an anchor that is sized appropriately for the intended use and follow anchor manufacturer's instructions regarding structural thickness and embedment requirements. The required type, number and size of fasteners used for the structure attachment fitting shall be in accordance with NFPA 13. Once the anchor is installed per manufacturer's direction, secure the Fig. 980 to the anchor. Attachment can pivot to allow for proper brace angle adjustment.

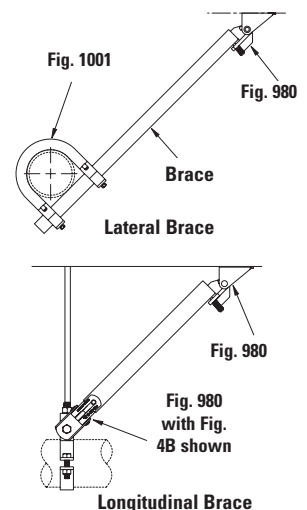
Finish: Plain, electro-galvanized or stainless steel.

Component of State of California OSHPD Approved Seismic Restraints System



Catalog #	A		B		D**	Max. Design Load (cULus) lbs./kN	Max. Design Load*** (FM)				Approx. Wt./100		
	in.	(mm)	in.	(mm)			30°-44°	45°-59°	60°-74°	75°-90°	lbs.	(kg)	
*980- ³ / ₈	4 ⁹ / ₁₆	(114.9)	2 ¹ / ₁₆	(52.4)	⁷ / ₁₆ (11.1)	1600 (7.12)					149	(67.6)	
*980- ¹ / ₂					⁹ / ₁₆ (14.3)	2100 (9.34)	2370	2790	3360	3750	148	(67.1)	
*980- ⁵ / ₈					¹¹ / ₁₆ (17.5)	2100 (9.34)	(10.54)	(12.41)	(14.94)	(16.68)	147	(66.7)	
*980- ³ / ₄					¹³ / ₁₆ (20.6)	2100 (9.34)					146	(66.2)	
980H- ⁷ / ₈	6 ³ / ₄	(171.4)	3 ¹ / ₂	(88.9)	¹⁵ / ₁₆ (23.8)						402	(182.3)	
980H-1					¹ / ₁₆ (27.0)						400	(181.4)	
980H-1 ¹ / ₈					¹³ / ₁₆ (30.2)	Fig. *980H is not UL Listed or FM Approved						397	(180.1)
980H-1 ¹ / ₄					¹⁵ / ₁₆ (33.3)						390	(176.9)	

* Sizes available in stainless steel (980S-³/₈, 980S-¹/₂, 980S-⁵/₈, and 980S-³/₄) and have the same UL rating as what is listed.
** Mounting attachment hole size.
*** Installed with 1" or 1¹/₄" schedule 40 brace pipe.



Eaton
1000 Eaton Boulevard
Cleveland, OH 44122
United States
Eaton.com

13201 Dahlia Street, Suite 200
Fontana, CA 92337
United States
Phone: 800-851-7415

© 2020 Eaton
All Rights Reserved
Printed in USA
Publication No. IL309006EN
September 2020 B-Line Division

Eaton.com/tolco
Eaton is a registered trademark.

All other trademarks are property of their respective owners.

Follow us on social media to get the latest product and support information.

