

IMPORTANT

1. Always include complete heater model and serial number so that any specification change can be considered for parts replacement. It can save time and expense.
2. Specifications are subject to change without notice.
3. We reserve the right to substitute functional replacements
4. Order by P/N; not Heater Option Designation.

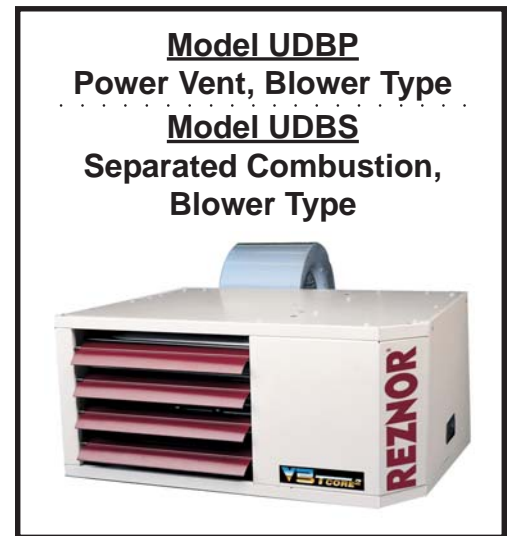
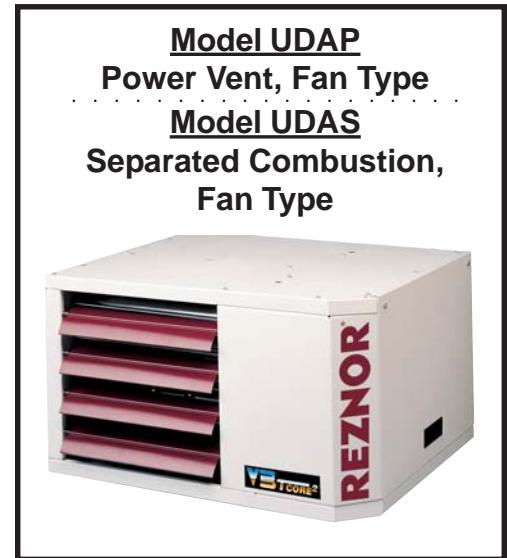


Replacement Parts for V3® Series Unit Heaters

PARTS FORM RZ-NA P-UD (Version B)
 Obsoletes Form RZ-NA P-UD (Version A)

APPLIES TO: Models UDAP, UDAS, UDBP, and UDBS

Index of Parts by Page No.	Model			
	UDAP	UDAS	UDBP	UDBS
Belt	--	--	10	10
Blower and Components	--	--	12	12
Bracket for Mounting Thermostat (Same as Option CM3)	19	19	19	19
Burner	14	14	14	14
Cabinet Parts	11	11	11-12	11-12
Capacitor, Fan or Blower Motor	5-6	5-6	8	8
Capacitor, Venter Motor	13	13	13	13
Ceiling Suspension Kit (same as Option CK22)	20	20	--	--
Concentric Adapter Box for Separated Combustion	--	15	--	15
Contactora	--	--	8	8
DDC Controller	7	7	7	7
Downturn Outlet Nozzles (same as Options CD 2, 3, 4, 5)	17	17	17	17
Drive	--	--	10	10
Duct Flange (same as Option CD9)	--	--	18	18
Electrical Components	4-7	4-7	4-9	4-9
Fan Blade	11	11	--	--
Fan Guard	11	11	--	--
Flame Sensor	4-6	4-6	4-6	4-6
Flue Wrapper	13	13	13	13
Fuse	6	6	6	6
Gas Conversion Kits	14	14	14	14
Guards - Belt Guard/Blower Inlet Guard (same as Option CD10 or CD12)	--	--	18	18
Hanger Kits (same as Options CK 8, 10)	20	20	20	20
Heat Exchanger	14	14	14	14
Ignition Control Board (Circuit Board)	4-6	4-6	4-6	4-6
Ignitor	4-6	4-6	4-6	4-6
Isolator for Fan Guard	11	11	11	11
Limit Control, High Temperature	4-6	4-6	4-6	4-6
Louvers, Horizontal	11	11	11	11
Louvers, Vertical (same as Option CD1)	17	17	17	17
Motor, Fan on UDAP/UDAS or Blower on UDBP/UDBS	4-6	4-6	8-9	8-9
Motor, Venter	13	13	13	13
Multiple Heater Control (same as Options CL 31, 32)	19	19	19	19
Orifice	14	14	14	14
Paint (spray touchup)	11	11	11	11
Rating Plate	2	2	2	2
Serial Number	2-3	2-3	2-3	2-3
Spring for Louvers	11	11	11	11
Switch, Flame Rollout	4-6	4-6	--	--
Switch, Pressure (0-6000ft Elevation)	4-6	4-6	4-6	4-6
Switch, Pressure (over 6000ft Elevation)	16	16	16	16
Terminal Board	4-6	4-6	4-6	4-6
Thermostats and Accessories	19	19	19	19
Transformer (control)	4-6	4-6	4-6	4-6
Transformer (stepdown)	7	7	6, 7	6, 7
Valve (electric)	4-6	4-6	4-6	4-6
Valve (manual)	20	20	20	20
Vent Cap (same as Option CC1)	16	--	16	--
Vent/Combustion Air Kits (same as Options CC2, CC6, and CC14)	--	15	--	15
Venter Parts	13	13	13	13



Warranty - Models UDAP, UDAS, UDBP, and UDBS



One-year limited warranty on the heater.
 Nine-year extended limited warranty on the heat exchanger, burner, and flue collection box assembly.
 Four-year extended limited warranty on all electrical and mechanical operating components (with the exception of blower belts).

Contact your distributor for details.

Rating Plate and Serial No.

Example of a Rating Plate, Model UDAP

REZNOR
 MERCER, PA. USA 16137
 MADE IN MEXICO



UNIT HEATER
CATEGORY [Z]
 ANSI Z83.8 [A] CSA 2.6 [A'] UNIT HEATER
 CSA .10.96 U.S. (2nd Ed.) UNIT HEATERS FOR RESIDENTIAL INSTALLATION
MODEL [B] [C]
SERIAL NO. BBD 79 X7 N 00000
[D] VOLTS [D] PH [D] HZ MAXIMUM TOTAL INPUT [D] AMPS
TYPE OF GAS: [E]
 FOR USE AT 0-2000 FEET, 0-610 METERS OF ALTITUDE.
 ORIFICE SIZE [F] DRILL HAS BEEN FACTORY ADJUSTED

NORMAL INPUT	SEA LEVEL
THERMAL OUTPUT CAPACITY	[J] BTU/HR
MINIMUM INPUT (-2 MODELS)	[L] BTU/HR
NORMAL MANIFOLD PRESSURE	[M] BTU/HR
MIN. PERMISSIBLE GAS SUPPLY PRESSURE	[G] IN.W.C.
FOR PURPOSE OF INPUT ADJUSTMENT.	[H] IN.W.C.

CLEARANCES TO COMBUSTIBLE CONSTRUCTION: TOP-[N]",
 FLUE CONNECTION-6", CONTROL SIDE-18", OPP. SIDE-[P]",
 BOTTOM-1", FRONT-36".
 FOR ALTERNATE INSTALLATIONS USE THE LATEST EDITIONS OF
 THE APPROPRIATE STANDARD LISTED BELOW:
 FOR AIRCRAFT HANGARS USE STANDARD ANSI/NFPA 409
 FOR PARKING STRUCTURES USE STANDARD ANSI/NFPA 88A
 FOR REPAIR GARAGES USE STANDARD ANSI/NFPA 88B
 THIS UNIT IS NOT FOR USE WITH DUCTS.
 THIS UNIT IS NOT FOR USE WITH FILTERS.
 IN THE EVENT THE FLAME ROLLOUT SENSOR CAUSES THE
 HEATER TO SHUT OFF, DETERMINE AND CORRECT THE CAUSE.
 FAILURE TO DO SO COULD RESULT IN PERSONAL INJURY OR
 DEATH. TO RESET, DEPRESS THE BUTTON ON THE SENSOR
 LOCATED ON THE BURNER BOX ASSEMBLY.

Example of a Rating Plate, Model UDBP

REZNOR
 MERCER, PA. USA 16137
 MADE IN MEXICO

UNIT HEATER
CATEGORY [Z]
 ANSI Z83.8 [A] CSA 2.6 [A'] UNIT HEATER

MODEL [B] [C]
SERIAL NO. [K] HP
[D] VOLTS [D] PH [D] HZ MAXIMUM TOTAL INPUT [D] AMPS
TYPE OF GAS: [E]
 FOR USE AT 0-2000 FEET, 0-610 METERS OF ALTITUDE.
 ORIFICE SIZE [F] DRILL

NORMAL INPUT	[J] BTU/HR
THERMAL OUTPUT CAPACITY	[L] BTU/HR
MINIMUM INPUT (-2 MODELS)	[M] BTU/HR
NORMAL MANIFOLD PRESSURE	[G] IN.W.C.
MIN. PERMISSIBLE GAS SUPPLY PRESSURE	[H] IN.W.C.
FOR PURPOSE OF INPUT ADJUSTMENT.	[H] IN.W.C.

TEMPERATURE RISE RANGE FROM [Q] DEG. F. TO [R] DEG. F.
 MAXIMUM EXTERNAL STATIC PRESSURE [S] IN. W.C.

CLEARANCES TO COMBUSTIBLE CONSTRUCTION: TOP-[N]", FLUE
 CONNECTION-6", CONTROL SIDE-18", OPP. SIDE-[P]", BOTTOM-1", FRONT-36"
 FOR ALTERNATE INSTALLATIONS USE THE LATEST EDITIONS OF THE
 APPROPRIATE STANDARD LISTED BELOW:
 FOR AIRCRAFT HANGARS USE STANDARD ANSI/NFPA 409
 FOR PARKING STRUCTURES USE STANDARD ANSI/NFPA 88A
 FOR REPAIR GARAGES USE STANDARD ANSI/NFPA 88B
 INSTALLATION OF THIS UNIT IN AIRCRAFT HANGERS IN ACCORDANCE WITH THE
 REQUIREMENTS OF THE ENFORCING AUTHORITIES AND IN PUBLIC GARAGES IN
 ACCORDANCE WITH THE CAN/CGA-B149 (.1 OR .2) CODES.
 THIS UNIT IS NOT FOR USE WITH FILTERS.
 THIS UNIT MAY BE USED WITH DUCTS.

Rating Plate Key:

A	Date of ANSI Standard	K	Blower Motor Horsepower
A'	Date of CSA Standard	L	BTU Thermal Output Sea Level
B	Model No.	M	BTU Minimum Input Sea Level
C	Month and Year of Manufacture	N	Top Clearance
D	Voltage, Phase, 60 Hertz, Maximum Total Input Amps	P	Left Side Clearance
E	Natural or Propane Gas	Q	Temperature Rise From (°F)
F	Orifice Size	R	Temperature Rise To (°F)
G	Manifold Pressure (3.5" w.c. Natural Gas; 10" w.c. Propane Gas)	S	Maximum External Static Pressure (inches w.c.)
H	Minimum Gas supply Pressure (5.0" w.c. Natural Gas; 11.0" w.c. Propane Gas)	Z	Category
J	BTU Normal Input Sea Level		

Decoding a Serial No.

Example of a Serial No.	BBD	79	X7	N	00000
CODE Nos.	1	2	3	4	5
CODE No.	Explanation				
1	Date of manufacture (see below)				
2	Type of ignition system				
3	Type of gas valve				
4	Gas (N = natural; L = propane)				
5	Consecutive number (identification only)				

First Element of the Serial Number - Date of Manufacture

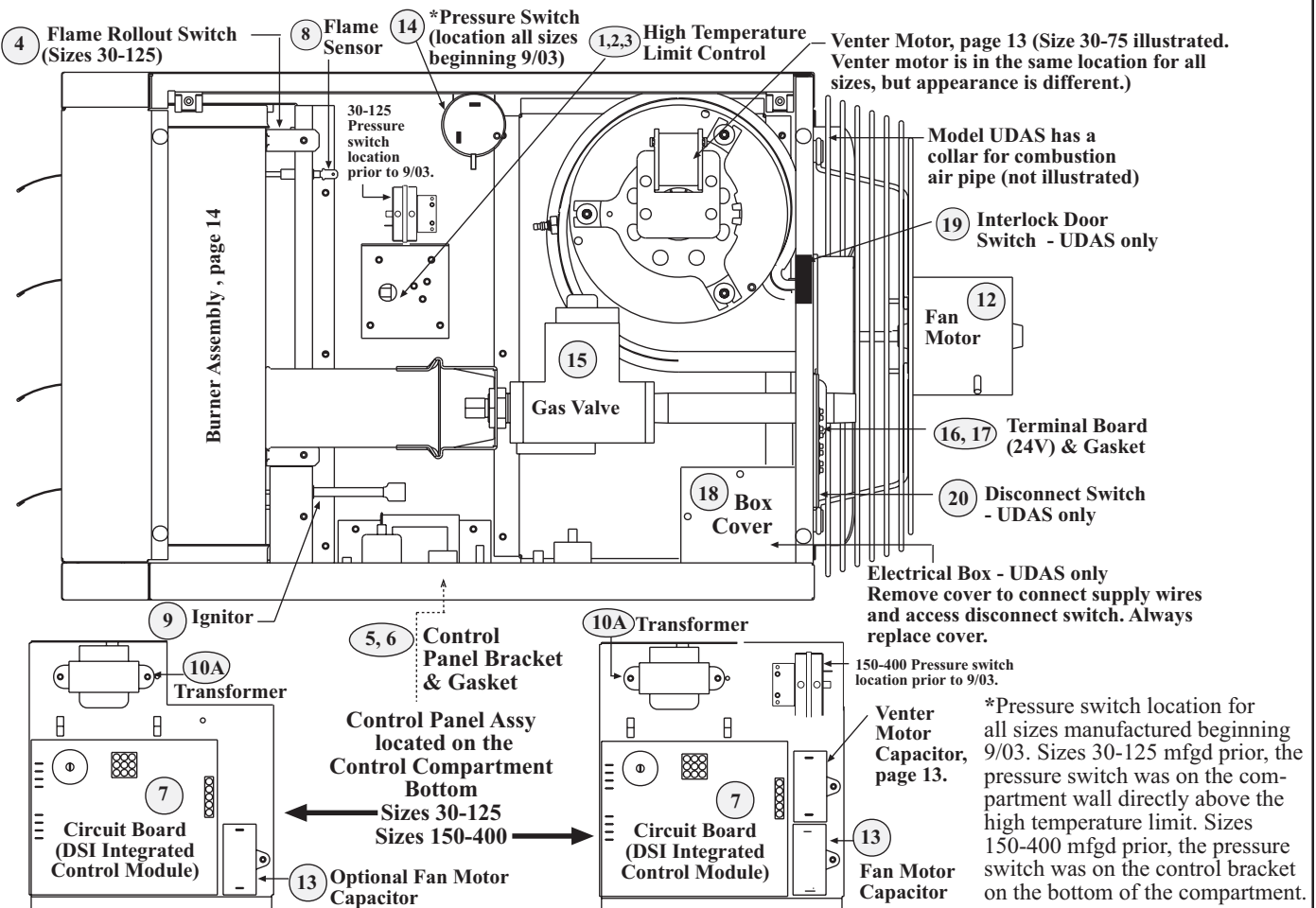
Year	Jan	Feb	Mar	Apr	May	June	July	Aug	Sept	Oct	Nov	Dec
2002	BBA	BBB	BBC	BBD	BBE	BBF	BBG	BBH	BBI	BBJ	BBK	BBL
2003	BCA	BCB	BCC	BCD	BCE	BCF	BCG	BCH	BCI	BCJ	BCK	BCL
2004	BDA	BDB	BDC	BDD	BDE	BDF	BDG	BDH	BDI	BDJ	BDK	BDL
2005	BEA	BEB	BEC	BED	BEE	BEF	BEG	BEH	BEI	BEJ	BEK	BEL
2006	BFA	BFB	BFC	BFD	BFE	BFF	BFG	BFH	BFI	BFJ	BFK	BFL
2007	BGA	BGB	BGC	BGD	BGE	BGF	BGG	BGH	BGI	BGJ	BGK	BGL
2008	BHA	BHB	BHC	BHD	BHE	BHF	BHG	BHH	BHI	BHJ	BHK	BHL
2009	BIA	BIB	BIC	BID	BIE	BIF	BIG	BIH	BII	BIJ	BIK	BIL
2010	BJA	BJB	BJC	BJD	BJE	BJF	BJG	BJH	BJI	BJJ	BJK	BJL
2011	BKA	BKB	BKC	BKD	BKE	BKF	BKG	BKH	BKI	BKJ	BKK	BKL
2012	BLA	BLB	BLC	BLD	BLE	BLF	BLG	BLH	BLI	BLJ	BLK	BLL
2013	BMA	BMB	BMC	BMD	BME	BMF	BMG	BMH	BMI	BMJ	BMK	BML
2014	BNA	BNB	BNC	BND	BNE	BNF	BNG	BNH	BNI	BNJ	BNK	BNL
2015	BOA	BOB	BOC	BOD	BOE	BOF	BOG	BOH	BOI	BOJ	BOK	BOL
2016	BPA	BPB	BPC	BPD	BPE	BPF	BPG	BPH	BPI	BPJ	BPK	BPL
2017	BQA	BQB	BQC	BQD	BQE	BQF	BQG	BQH	BQI	BQJ	BQK	BQL
2018	BRA	BRB	BRC	BRD	BRE	BRF	BRG	BRH	BRI	BRJ	BRK	BRL
2019	BSA	BSB	BSC	BSD	BSE	BSF	BSG	BSH	BSI	BSJ	BSK	BSL
2020	BTA	BTB	BTC	BTD	BTE	BTF	BTG	BTH	BTI	BTJ	BTK	BTL

References

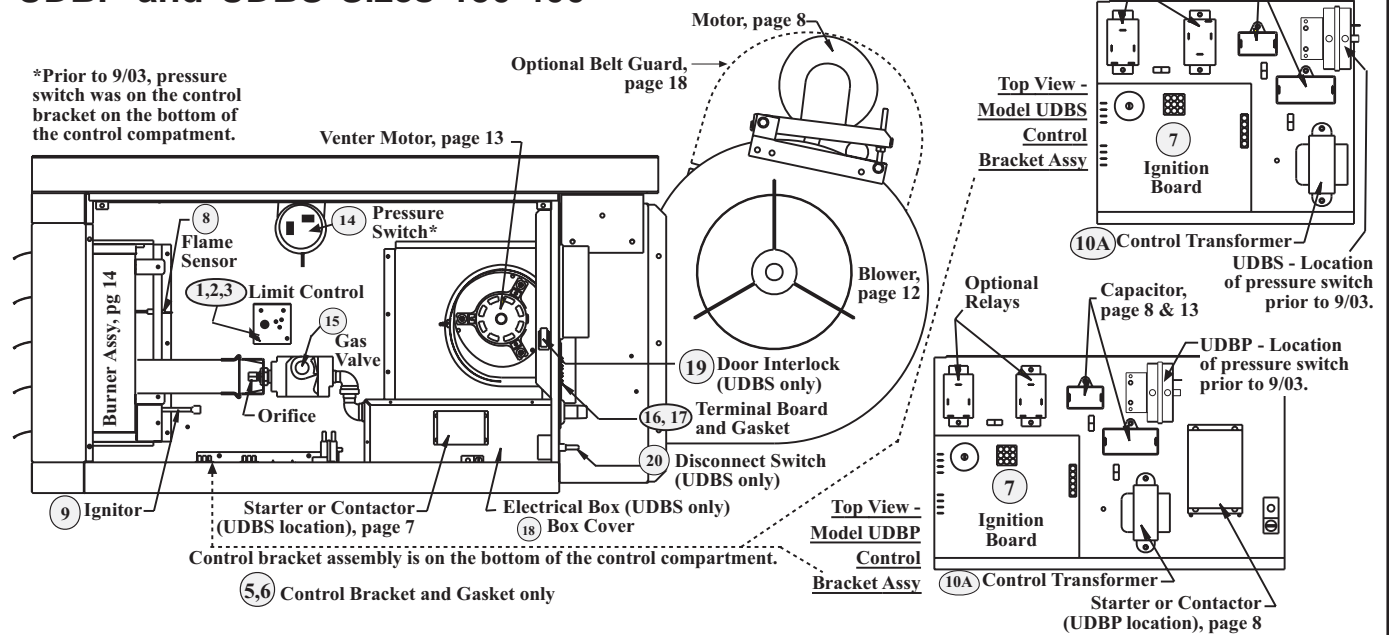
Printed Forms (Request by RZ-NA designation; not P/N.)	Form RZ-NA	P/N
Installation/Operation/Maintenance - All UDAP and UDAS	I-UDA	195673
Installation/Operation/Maintenance - All UDBP and UDBS	I-UDB	202658
Venting Installation - Models UDAP and UDBP	I-UD-V-PV	195675
Venting Installation - Model UDAP-CV with Option AV6 (common vent)	I-UD-V-CV	195677
Venting Installation - Models UDAS and UDBS	I-UD-V-SC	195676
Gas Conversion	I-UD-GC	197209
High Altitude (above 6000 ft)	I-UD-HA	197081
Website (Forms are available for downloading.)		
www.RezSpec.com		

Electrical Components - Location, Quantity (Quantities other than one are listed in parenthesis.), and P/N (see page 6 for photos)

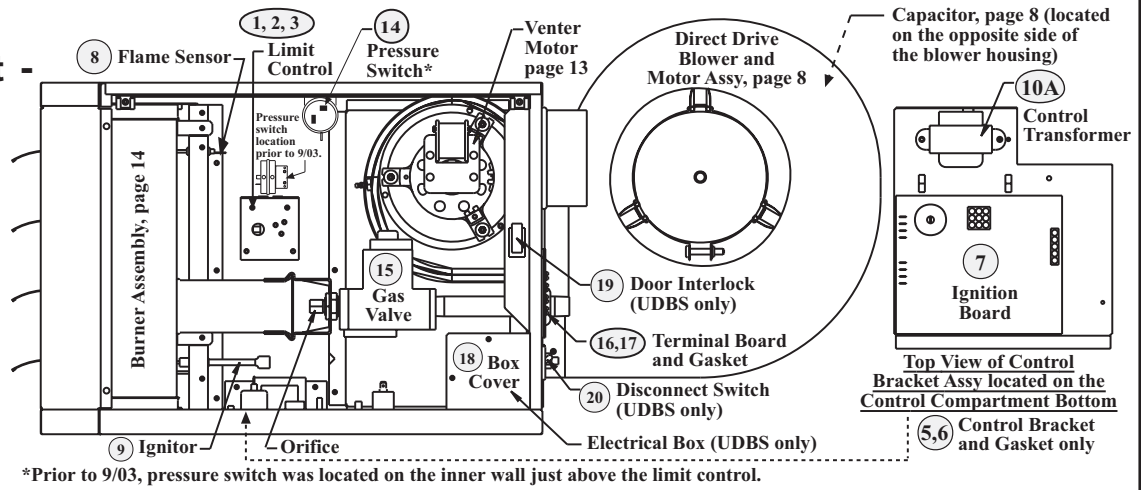
Control Compartment - Models UDAP and UDAS Sizes 30-400



Control Compartment - Models UDBP and UDBS Sizes 150-400



Control Compartment - Models UDBP and UDBS Sizes 30-125



Code	Description	Model	30	45	60	75	100	125	150	175	200	225	250	300	350	400
1A	High Temperature Limit Control, Auto Reset (NOTE: Color listed is the color of the identifying dot on the limit control label. "No" indicates no colored dot on the label.)	UDAP/UDAS	96512, 220°F, Blue		45602, 180°F, No			85449, 200°F, Yellow	45602, 180°F, No	82091, 160°F, Red	45602, 180°F, No	85449, 200°F, Yellow	45602, 180°F, No			
		UDBP/UDBS	201961, 275°F, Green	96512, 220°F, Blue	85449, 200°F, Yellow		96512, 220°F, Blue	201961, 275°F, Green	45602, 180°F, No	202048, 240°F, Silver		45602, 180°F, No	201962, 250°F, Orange	202048, 240°F, Silver	85449, 200°F, Yellow	
1B	High Temperature Limit Control, Auto Reset - UDAP w/Opt	UDAP-45LN (low noise)	N/A	85449, 200°F, Yellow		N/A										
2	Limit Control Plate	All	170025													
3	Limit Control Bracket	UDAP/UDAS	170026													
		UDBP/UDBS	201771										202701			
4	Flame Rollout Switch, Manual Reset	UDAP/UDAS	197033, 210°F / -31°F, Violet Dot	196949, 225°F / -31°F, Red Dot		196950, 250°F / -31°F, Yellow Dot			--	--	--	--	--	--	--	--
5	Control Mounting Bracket	UDAP/UDAS	195551													
		UDBP	195551													
		UDBS	195551													
6	Control Mounting Bracket	All	195664													
7	Circuit Board (DSI Ignition Cntrl)	All	195265, UTC 1097-210, Serial No. Code 79													
7A	Fuse for Circuit Board	All	P/N 201685 or replace with a field-supplied Type ATC or ATO 3 amp fuse, Color Code Violet.													
8	Flame Sensor	All	195292													
9	Ignitor (Electrode Assy)	All	175272													
10A	Transformer 115V	UDAP/UDAS	175265, 25VA													
		All*	194808, 40 VA (*40VA transformer only applies to UDAP and UDAS when equipped with multiple heater control Option CL31)													
		UDBP/UDBS	--	--	--	--	--	--	--	--	--	--	--	--	--	--
10B**	Xformer w/ Opts D10/14 DDC Cntrls 208V-230V/1ph	UDAP/UDAS	N/A													
		UDBS	N/A													
11	Stepdown Transformer 480V supply-120V 575V supply-120V	UDAP/UDAS	11100, 1/2 KVA													
		UDBP/UDBS	202056, 575/120													
12A	Fan Motor 115V Open 115V TEFC (AL14) 208/230V Open	UDAP/UDAS	196240	196241		196242	196243	196244	196245		196246	196247				
		UDBP/UDBS	203310		203724		196824		196825							
		All	196826		195302		195303									
12B	Fan Mtr 115V w/Opt AL2B	UDAP45-LN	N/A	203030		N/A										
13	Fan Motor Capacitor	All	195642													
14	Pressure Switch, 0 to 6000 ft (Above 6000 ft, see kits on page 16.) NOTE: Color listed is the identifying color of the pressure switch label.	UDAP	197030, -40" w.c., Green		196388, -50" w.c., Orange			197030, -40" w.c., Green		201158, -1.10" w.c., Blue		201159, -1.40" w.c., Red				
		UDAP-CV***	197028, -65" w.c., Yellow	196388, .50" w.c., Orange		197029, -.60" w.c., Light Blue		196362, -.55" w.c., White		--	--	--	--	--	--	
		UDAS	197028, .65" w.c., Yellow						196362, .55" w.c., White	197032, 45" w.c., Pink	197030, 40" w.c., Green		201158, 1.10" w.c., Blue		201159, 1.40" w.c., Red	
		UDBP	197030, -40" w.c., Green		196388, -50" w.c., Orange		197030, -40" w.c., Green		197030, -40" w.c., Green		201158, -1.10" w.c., Blue		201159, -1.40" w.c., Red		201158, -1.10" w.c., Blue	
		UDBS	197030, 40" w.c., Green	196388, .50" w.c., Orange	197029, .60", Lt Blue	196388, .50" w.c., Orange	197030, 40" w.c., Green	197032, 45" w.c., Pink	197030, 40" w.c., Green		201158, 1.10" w.c., Blue		201159, 1.40" w.c., Red		201158, 1.10" w.c., Blue	
15	Gas Valve Natural, 1-Stage Propane, 1-Stage Natural Gas, Two-Stage Propane Gas, Two-Stage	All	196848, 1/2x1/2, MH VR8105K2942				196980, 1/2x1/2, MH VR8205K8905				196981, 3/4x3/4, MH VR8305K4241					
			196850, 1/2x1/2, MH VR8105K2959				196982, 1/2x1/2, MH VR8205K2965				196983, 3/4x3/4, MH VR8305K4258					
			--	--	196849, 1/2x1/2, MH VR8105N2949		197066, 1/2x1/2, MH VR8205N2921				197067, 3/4x3/4, MH VR8305N4297					
			--	--	196851, 1/2x1/2, MH VR8105N2931		197064, 1/2x1/2, MH VR8205N2913				197065, 3/4x3/4, MH VR8305N4289					
16	Terminal Board (24V), 4 pole	All	196813													
17	Terminal Board Gasket	All	196327													
18	Electrical Box Cover	UDAS and UDBS only	201945													
19	Door Switch	All	116023, MCG 0815-9011													
20	Disconnect Switch	All	201946													
21	Wiring Harness with 9 pin Terminal	UDAP/UDAS	197148		197199		197149		201417		201418		201419			
		UDBP/UDBS	203523		203524		203525		203526		203527		203528			
22	Wiring Harness w/ 5 pin Terminal	All	195653													
			195656													

** For location, see page 7.

***Model UDAP-CV is a Model UDAP with factory-installed Common Vent Option AV6

Electrical Components - See locations on pages 4 and 5.

CODE 1 - High Temperature Limit Control, Auto Reset

P/N 45602, 180°F, No Dot
 P/N 85449, 200°F, Yellow Dot
 P/N 96512, 220°F, Blue Dot
 P/N 202048, 240°F, Silver Dot
 P/N 201962, 250°F, Orange Dot
 P/N 201961, 275°F, Green Dot



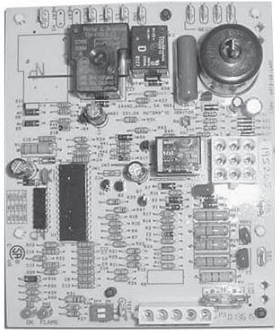
Bracket, P/N 170026
 Plate, P/N 170025

CODE 4 - Flame Rollout Switch, Manual Reset



UDAP/UDAS 30, P/N 197033, 210°F, Violet Dot
 UDAP/UDAS 45, 60, 75, P/N 196949, 225°F, Red Dot
 UDAP/UDAS 100, 125, P/N 196950, 250°F, Yellow Dot

CODE 7 - Circuit Board (DSI Ignition Control), P/N 195265, UTC 1097-210



To replace fuse, use P/N 201685 or a field supplied Type ATC or ATO 3 amp fuse, Color Code Violet.

CODE 8 - Flame Sensor, P/N 195292



CODE 9 - Ignitor (Electrode Assembly), P/N 175272



CODE 10 - Transformer



115V-25VA, P/N 175265
 115V-40VA, P/N 194808
 208/230V-40VA, P/N 194536

CODE 11 - Stepdown Transformer



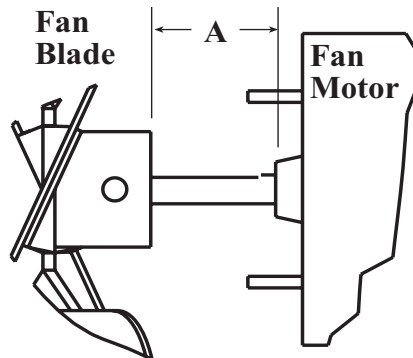
460V-120V, 1/2 KVA (500VA), P/N 11100
 575V-120V, P/N 202056
 (Stepdown transformer is not in the control compartment; it hangs on the outside of the heater cabinet.)

CODE 12 - Fan Motor



See application and P/N's on page 5.

Fan Blade/
 Motor Spacing



CODE 13 - Fan Motor Capacitor, P/N 195643, 7.5MFD, MB40075EB



Dimension A - Fan Blade and Motor Spacing

Size	30	45	60	75	100	125	150	175	200	225	250	300	350	400
inches	1	9/16	1-1/2	2-1/8	2-3/8	2-5/16	2-3/8	2-1/8	1-5/8	2	2	2	1-7/8	1-3/8
mm	25	14	38	54	60	59	60	54	67	51	51	51	48	35

CODE 14 - Pressure Switch, H/W #IS2



See application and P/N's on page 5.
 For high altitude (above 6000 ft), see page 16.

CODE 15 - Gas Valve See application by P/N, Type, and Size on page 5.



Single-Stage Gas Valve

P/N	Serial No. Code
196848	X7
196980	Y2
196981	Y3
196850	X9
196982	Y4
196983	Y5



Two-Stage Gas Valve

P/N	Serial No. Code
196849	X8
197066	Y8
197067	Y9
196851	Y1
197064	Y6
197065	Y7

CODE 16 - Terminal Board, 24V, 4 pole, P/N 196813



CODE 17 - Terminal Board Gasket for UDAS and UDBS, P/N 196327

CODE 19 - Interlock Door Switch, UDAS and UDBS, P/N 116023



CODE 20 - Disconnect Switch, UDAS and UDBS



Sizes 30-125, P/N 201946



Sizes 150-400, P/N 202054

DDC Controller, P/N 207944, and other components used in Option D10 and Option D14 (D14 requires field-provided sensor) - applies to Sizes 150-400

CODE	P/N	Description
21A	207944	Novar Controller, Model Minio 737200000
21B	207945	Novar Discharge Sensor Model 712007000DTS 30 (Option D10 only)
22	208069	Controller Bracket
23	195669	Gasket
24	(2) 98118	Relay, Fan and Heat

Code 21A, Novar Controller (mounts on the inside wall of the control compartment)

CODE 24 -
Relays

CODE 10B -
Transformer
(See page 5.)

CODE 22 - Bracket
CODE 23 - Gasket



**CODE 25 -
Stepdown
Transformer
Kits (Same
as Options
CG2, CG4)**



For Model UDAP or UDAS	30	45, 60, 75, 100	125, 150, 175, 200	225, 250	300, 350, 400
Option CG2 & CG4 Pkg P/N	197150	197151	197152	197153	197154
Components:					
Transformer, Type EP, 240-480 primary/120-240V secondary	11279 1/4 KVA	11100 1/2 KVA	11217 3/4 KVA	16065 1 KVA	197085 1.5 KVA
Transformer Bracket	197079			197080	
Transformer Bracket Gasket	195663				
Hex Head Cap Screw	32253, 3/8 x 1"lg				
3/8" Lock Washer	5197				
3/8" Flat Washer	6593				
BX Cable, 3/8"	45097, 38" lg	174394, 46" lg	63292, 49" lg	10460, 56" lg	201465, 70" lg
Black wire 14 gauge, 105°C	32520, 54" lg	7208, 62" lg	123150, 65"	48862, 72"	201466, 86"
White wire 14 gauge, 105°C	201243, 54" lg	201242, 62" lg	123152, 65"	48861, 72"	201467, 86"
Green wire 14 gauge, 105°C	201241, 54" lg	201240, 62" lg	201468, 65"	201462, 72"	201469, 86"
Anti-Short Bushing	(2) 16358				
Straight Connector	16202, T&B #302				
90° Connector	1417, T&B #XC-290				
Cable Clamp, 1/2"	16227, Heyco #3328				
Sheetmetal Screws	(3) 11813, #10 x 1/2"				
Wire Nut 73B	(10) 16354, Ideal #3-0253				

NOTE: For stepdown transformer for **UDBP or UDBS with 460V or 575V**, see CODE 11, page 6.

For Model UDBP or UDBS	30, 45	60, 75	100, 125
Option CG2 & CG4 Pkg P/N	202976	202977	202978
Components:			
Transformer, Type EP, 240-480 primary/120-240V secondary	11100, 1/2 KVA	16065, 1 KVA	202979, 2 KVA
Transformer Bracket	197079		
Transformer Bracket Gasket	195663		
BX Cable, 3/8", (length in inches)	45097, 38"	174394, 46"	63292, 49"
Black wire 14 gauge, 105°C, (length in inches)	32520, 54"	7208, 62"	123150, 65"
White wire 14 gauge, 105°C, (length in inches)	201243, 54"	201242, 62"	123152, 65"
Green wire 14 gauge, 105°C, (length in inches)	201241, 54"	201240, 62"	201468, 65"
Anti-Short Bushing	(2) 16358		
Straight Connector, T&B #302	16202		
90° Connector, T&B #XC-290	1417		
Cable Clamp, 1/2" Heyco #3328	16227		
Sheetmetal Screws	(3) 11813		
Wire Connector 73B	(10) 16354		

Blower Motor, Capacitor, Starter, and Contactor

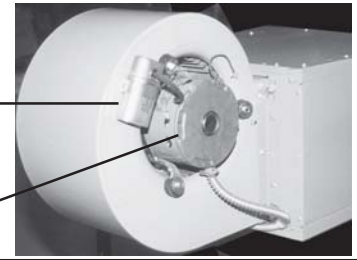
Model UDBP and UDBS Sizes 30-125

Code	Description	30	45	60	75	100	125
26	Direct Drive Motor Assembly	202731		202732		202733	
26A	Motor	201760 1/6 HP		201761 1/3 HP		201762 3/4 HP	
26B	Fleximount Adapter	-	-	-	-	201764	
26C	Motor Band	51221				-	-
26D	Support Arm	(3) 51223				-	-
26E	Hex Head Cap Screw 1/4" - 20 X 1-1/2" long	51231				-	-
26F	1/4" - 20 Nut (Keys)	7328				-	-
26G	BX Cable, 3/8"	2889, 30"				174387, 43"	
26H	Anti-Short Bushing	(2)16358					
27	Blower Motor Capacitor, 370V	101917 5MFD		101918 7.5MFD		201763 15MFD	
28A	Capacitor End Cap	82113					
28B	Capacitor Strap Bracket	82114					

CODE 26 - Direct Drive Motor

CODE 27 - Motor Capacitor

CODE 26A - Motor



CODE 29 - Belt Drive Blower Motor



CODE 30 and 31 - Motor Starter and Overload



CODE 32 - Blower Motor Contactor

Motors that don't list a contactor require a starter. If a contactor is listed below, starter is optional.



Model UDBP and UDBS Sizes 150-400 -

CODE 29 Belt Drive Motor; CODE 30 Starter Overload; CODE 31 Motor Starter; CODE 32 Contactor

Motors that don't list a contactor require a starter. If a contactor is listed, starter is optional.

MOTOR			Mfr Model No.	Reznor P/N	Volt	ph	Service Factor	Power Factor	Efficiency	OVERLOAD				STARTER		CONTACTOR	
Type	HP	FLA								min	max	GE#	P/N	GE#	P/N	GE#	P/N
Open	1/4	4.6	BF2024	210611	120	1	1.35			4.00	6.30	RTA1-L	151191	CL00A310T-J	151146	42AF35AF	119626
Open	1/4	2.3	BF2024	210611	208	1	1.15	63	59.0%	1.80	2.70	RTA1-J	151189	CL00A310T-L	151150	42AF35AG	119627
Open	1/4	2.3	BF2024	210611	240	1	1.15	63	59.0%	1.80	2.70	RTA1-J	151189	CL00A310T-S	151147	42AF35AG	119627
Open	1/4	1.1	H200	115864	208	3	1.35	72	74.0%	1.00	1.50	RTA1-G	151187	CL00A310T-L	151150	-	-
Open	1/4	1.4	H200	115864	240	3	1.35	72	74.0%	1.00	1.50	RTA1-G	151187	CL00A310T-S	151147	-	-
Open	1/4	0.75	H200	115863	480	3	1.35	72	81.0%	0.65	1.10	RTA1-F	151186	CL00A310T-J	151146	-	-
Open	1/3	6	BF2034	202091	120	1	1.35			4.00	6.30	RTA1-L	151191	CL00A310T-J	151146	42AF35AF	119626
Open	1/3	3	BF2034	202091	208	1	1.35			2.50	4.10	RTA1-K	151190	CL00A310T-L	151150	42AF35AG	119627
Open	1/3	3	BF2034	202091	240	1	1.35			2.50	4.10	RTA1-K	151190	CL00A310T-S	151147	42AF35AG	119627
Open	1/3	1.4	H260	115863	208	3	1.35			1.00	1.50	RTA1-G	151187	CL00A310T-L	151150	-	-
Open	1/3	1.6	H260	115863	240	3	1.35			1.30	1.90	RTA1-H	151188	CL00A310T-S	151147	-	-
Open	1/3	0.8	H260	115863	480	3	1.35			0.65	1.10	RTA1-F	151186	CL00A310T-J	151146	-	-
Open	1/2	8.8	327P828 or BF2054	102627	120	1	1.15			8.00	12.00	RTA1-N	151193	CL00A310T-J	151146	42AF35AF	119626
Open	1/2	5.1	327P828 or BF2054	102627	208	1	1.15			4.00	6.30	RTA1-L	151191	CL00A310T-L	151150	42AF35AG	119627
Open	1/2	4.4	327P828 or BF2054	102627	240	1	1.15			4.00	6.30	RTA1-L	151191	CL00A310T-S	151147	42AF35AG	119627
Open	1/2	2.5	H880	159183	208	3	1.25			1.80	2.70	RTA1-J	151189	CL00A310T-L	151150	42AF35AG	119627
Open	1/2	3	H880	159183	240	3	1.25			2.50	4.10	RTA1-K	151190	CL00A310T-S	151147	42AF35AG	119627
Open	1/2	1.5	H880	159183	480	3	1.25			1.30	1.90	RTA1-H	151188	CL00A310T-J	151146	42AF35AF	119626
Open	1/2	0.9	H991	202089	575	3	1.25			0.65	1.10	RTA1-F	151186	CL00A310T-J	151146	-	-
Open	3/4	11	312P629	93548	120	1	1.25			10.00	16.00	RTA1-P	151194	CL01A310T-J	151151	42AF35AF	119626
Open	3/4	6.3	312P629	93548	208	1	1.25			5.50	8.50	RTA1-M	151192	CL00A310T-L	151150	42AF35AG	119627
Open	3/4	5.5	312P629	93548	240	1	1.25			4.00	6.30	RTA1-L	151191	CL00A310T-S	151147	42AF35AG	119627
Open	3/4	2.9	312P696	36951	208	3	1.25			2.50	4.10	RTA1-K	151190	CL00A310T-L	151150	42AF35AG	119627
Open	3/4	2.6	312P696	36951	240	3	1.25			2.50	4.10	RTA1-K	151190	CL00A310T-S	151147	42AF35AG	119627
Open	3/4	1.3	312P696	36951	480	3	1.25			1.00	1.50	RTA1-G	151187	CL00A310T-J	151146	42AF35AF	119626
Open	3/4	1	H992	202090	575	3	1.25			0.65	1.10	RTA1-F	151186	CL00A310T-J	151146	-	-
Open	1	13	327P297 or C523	13685	120	1	1.25			10.00	16.00	RTA1-P	151194	CL01A310T-J	151151	42AF35AF	119626
Open	1	7.5	327P297 or C523	13685	208	1	1.25			5.50	8.50	RTA1-M	151192	CL00A310T-L	151150	42AF35AG	119627
Open	1	6.5	327P297 or C523	13685	240	1	1.25			5.50	8.50	RTA1-M	151192	CL00A310T-S	151147	42AF35AG	119627
Open	1	3.7	312P703 or H882	36580	208	3	1.15		79.0%	2.50	4.10	RTA1-K	151190	CL00A310T-L	151150	42AF35AG	119627
Open	1	3.2	312P703 or H882	36580	240	3	1.15		79.0%	2.50	4.10	RTA1-K	151190	CL00A310T-S	151147	42AF35AG	119627
Open	1	1.6	312P703 or H882	36580	480	3	1.15		79.0%	1.30	1.90	RTA1-H	151188	CL00A310T-J	151146	42AF35AF	119626
Open	1	1.1	E1006	158175	575	3	1.15		82.5%	1.00	1.50	RTA1-G	151187	CL00A310T-J	151146	-	-
Open	1.5	15	C621	194202	120	1	1.2	86.4	77.2%	10.00	16.00	RTA1-P	151194	CL02A310T-J	151156	42AF35AF	119626
Open	1.5	7.8	C621	194202	208	1	1.2	86.4	77.2%	5.50	8.50	RTA1-M	151192	CL00A310T-L	151150	42AF35AG	119627
Open	1.5	7.5	C621	194202	240	1	1.2	86.4	77.2%	5.50	8.50	RTA1-M	151192	CL00A310T-S	151147	42AF35AG	119627
Open	1.5	5.6	H884	115859	208	3	1.15	66.4	78.6%	4.00	6.30	RTA1-L	151191	CL00A310T-L	151150	42AF35AG	119627
Open	1.5	5	H884	115859	240	3	1.15	66.4	78.6%	4.00	6.30	RTA1-L	151191	CL00A310T-S	151147	42AF35AG	119627
Open	1.5	2.8	H884	115859	480	3	1.15	66.4	78.6%	2.50	4.10	RTA1-K	151190	CL00A310T-J	151146	42AF35AF	119626
Open	1.5	1.6	E1007	158162	575	3	1.15	85.3	84.0%	1.30	1.90	RTA1-H	151188	CL00A310T-J	151146	-	-

Blower Motor, Starter, and Contactor (cont'd)

Motors that don't list a contactor require a starter. If a contactor is listed, starter is optional.

MOTOR (cont'd)		Mfr Model No.	Reznor P/N	Volt	ph	Service Factor	Power Factor	Efficiency	OVERLOAD				STARTER		CONTACTOR		
Type	HP								FLA	min	max	GE#	P/N	GE#	P/N	GE#	P/N
Open	2	24.6	327P922	202581	120	1	1		21.00	26.00	RTA1-U	151197	CL04A310M-J	151165	42AF35AF	119626	
Open	2	12.3	327P922	202581	208	1	1.15		10.00	16.00	RTA1-N	151193	CL01A310T-L	151155	42AF35AG	119627	
Open	2	12.3	327P922	202581	240	1	1.15		8.00	12.00	RTA1-N	151193	CL01A310T-S	151152	42AF35AG	119627	
Open	2	7	H886	159327	208	3	1.15	67	79.0%	5.50	8.50	RTA1-M	151192	CL00A310T-L	151150	42AF35AG	119627
Open	2	6.6	H886	159327	240	3	1.15	67	79.0%	5.50	8.50	RTA1-M	151192	CL00A310T-S	151147	42AF35AG	119627
Open	2	3.5	H886	159327	480	3	1.15	67	79.0%	2.50	4.10	RTA1-K	151190	CL00A310T-J	151146	42AF35AF	119626
Open	2	2.1	E1008	158176	575	3	1.15	86	84.0%	1.80	2.70	RTA1-K	151189	CL00A310T-J	151146	-	-
Open	3	14	B735	111560	208	1	1.15	94.5	80.3%	10.00	16.00	RTA1-P	151194	CL02A310T-L	151159	-	-
Open	3	12.4	B735	111560	240	1	1.15	94.5	80.3%	10.00	16.00	RTA1-P	151194	CL01A310T-S	151152	-	-
Open	3	9	H845	159185	208	3	1.15		8.00	12.00	RTA1-N	151193	CL00A310T-L	151150	42AF35AG	119627	
Open	3	8.6	H845	159185	240	3	1.15		8.00	12.00	RTA1-N	151193	CL00A310T-S	151147	42AF35AG	119627	
Open	3	4.3	H845	159185	480	3	1.15		4.00	6.30	RTA1-L	151191	CL00A310T-J	151146	42AF35AF	119626	
Open	3	3.6	181532-01 or H954	120019	575	3	1.15	80.3	83.8%	2.50	4.10	RTA1-K	151190	CL00A310T-J	151146	-	-
Open	5	13.4	181159-01 or 196033	113371	208	3	1.15	87.2	85.0%	10.00	16.00	RTA1-P	151194	CL01A310T-L	151155	-	-
Open	5	13.2	181159-01 or 196033	113371	240	3	1.15	87.2	85.0%	10.00	16.00	RTA1-P	151194	CL01A310T-S	151152	-	-
Open	5	6.6	181159-01 or 196033	113371	480	3	1.15	87.2	85.0%	5.50	8.50	RTA1-M	151192	CL00A310T-J	151146	-	-
Open	5	5.4	8-181533-01 or H956	120020	575	3	1.15	85.9	85.3%	4.00	6.30	RTA1-L	151191	CL00A310T-J	151146	-	-
TEFC	1/4	3.6	STOCK #904	105566	120	1	1		2.50	4.10	RTA1-K	151190	CL00A310T-J	151146	42AF35AF	119626	
TEFC	1/4	2.2	108152	16074	208	1	1.35		1.80	2.70	RTA1-J	151189	CL00A310T-L	151150	42AF35AG	119627	
TEFC	1/4	1.9	108152	16074	240	1	1.35		1.30	1.90	RTA1-H	151188	CL00A310T-S	151147	42AF35AG	119627	
TEFC	1/4	1.6	125439	16075	208	3	1	61.9	72.1%	1.30	1.90	RTA1-H	151188	CL00A310T-L	151150	42AF35AG	119627
TEFC	1/4	1.4	125439	16075	240	3	1	61.9	72.1%	1.00	1.50	RTA1-G	151187	CL00A310T-S	151147	42AF35AG	119627
TEFC	1/4	0.7	125439	16075	480	3	1	61.9	72.1%	0.65	1.10	RTA1-F	151186	CL00A310T-J	151146	42AF35AF	119626
TEFC	1/3	4.6	STOCK #906	115861	120	1	1	68.5	72.1%	4.00	6.30	RTA1-L	151191	CL00A310T-J	151146	42AF35AF	119626
TEFC	1/3	2.3	C151	159501	208	1	1	67.2	69.5%	1.80	2.70	RTA1-J	151189	CL00A310T-L	151150	42AF35AG	119627
TEFC	1/3	2.4	C151	159501	240	1	1	67.2	69.5%	1.80	2.70	RTA1-J	151189	CL00A310T-S	151147	42AF35AG	119627
TEFC	1/3	1.2	H261	105567	208	3	1.15		79.5%	1.00	1.50	RTA1-G	151187	CL00A310T-L	151150	-	-
TEFC	1/3	1.2	H261	105567	240	3	1.15		79.5%	1.00	1.50	RTA1-G	151187	CL00A310T-S	151147	-	-
TEFC	1/3	0.6	H261	105567	480	3	1.15		79.5%	0.40	0.65	RTA1-D	151184	CL00A310T-J	151146	-	-
TEFC	1/2	7.2	C613	159184	120	1	1.15		5.50	8.50	RTA1-M	151192	CL00A310T-J	151146	42AF35AF	119626	
TEFC	1/2	3.5	C613	159184	208	1	1.15		2.50	4.10	RTA1-K	151190	CL00A310T-L	151150	42AF35AG	119627	
TEFC	1/2	3.6	C613	159184	240	1	1.15		2.50	4.10	RTA1-K	151190	CL00A310T-S	151147	42AF35AG	119627	
TEFC	1/2	2.3	119851 or H274	16077	208	3	1	59.5	74.8%	1.80	2.70	RTA1-J	151189	CL00A310T-L	151150	42AF35AG	119627
TEFC	1/2	2	119851 or H274	16077	240	3	1	59.5	74.8%	1.80	2.70	RTA1-J	151189	CL00A310T-S	151147	42AF35AG	119627
TEFC	1/2	1	119851 or H274	16077	480	3	1	59.5	74.8%	0.65	1.10	RTA1-F	151186	CL00A310T-J	151146	42AF35AF	119626
TEFC	1/2	0.7	H276	105568	575	3	1.15	76.4	77.0%	0.65	1.10	RTA1-F	151186	CL00A310T-J	151146	-	-
TEFC	3/4	11	F353	115860	120	1	1	66	65.7%	10.00	16.00	RTA1-P	151194	CL01A310T-J	151151	42AF35AF	119626
TEFC	3/4	5.4	F353	115860	208	1	1	66	65.7%	4.00	6.30	RTA1-L	151191	CL00A310T-L	151150	42AF35AG	119627
TEFC	3/4	5.5	F353	115860	240	1	1	66	65.7%	4.00	6.30	RTA1-L	151191	CL00A310T-S	151147	42AF35AG	119627
TEFC	3/4	2	142198 or H580	20371	208	3	1	73.5	81.1%	1.80	2.70	RTA1-J	151189	CL00A310T-L	151150	42AF35AG	119627
TEFC	3/4	2.2	142198 or H580	20371	240	3	1	73.5	81.1%	1.80	2.70	RTA1-J	151189	CL00A310T-S	151147	42AF35AG	119627
TEFC	3/4	1.1	142198 or H580	20371	480	3	1	73.5	81.1%	1.00	1.50	RTA1-G	151187	CL00A310T-J	151146	42AF35AF	119626
TEFC	3/4	0.8	H461	105569	575	3	1.15	78.3	82.0%	0.65	1.10	RTA1-F	151186	CL00A310T-J	151146	-	-
TEFC	1	12	159105	174993	120	1	1.15	74.3	70.6%	10.00	16.00	RTA1-P	151194	CL01A310T-J	151151	42AF35AF	119626
TEFC	1	6.2	159105	174993	208	1	1.15	74.3	70.6%	5.50	8.50	RTA1-M	151192	CL00A310T-L	151150	42AF35AG	119627
TEFC	1	6	159105	174993	240	1	1.15	74.3	70.6%	5.50	8.50	RTA1-M	151192	CL00A310T-S	151147	42AF35AG	119627
TEFC	1	3.3	8-159223-01 or H524	16080	208	3	1	74.4	80.2%	2.50	4.10	RTA1-K	151190	CL00A310T-L	151150	42AF35AG	119627
TEFC	1	3.4	8-159223-01 or H524	16080	240	3	1	74.4	80.2%	2.50	4.10	RTA1-K	151190	CL00A310T-S	151147	42AF35AG	119627
TEFC	1	1.7	8-159223-01 or H524	16080	480	3	1	74.4	80.2%	1.30	1.90	RTA1-H	151188	CL00A310T-J	151146	42AF35AF	119626
TEFC	1	1.4	H525	105570	575	3	1.15	71.6	80.4%	1.00	1.50	RTA1-G	151187	CL00A310T-J	151146	-	-
TEFC	1.5	16.4	311P402	94347	120	1			14.50	18.00	RTA1-S	151196	CL02A310T-J	151156	42AF35AF	119626	
TEFC	1.5	9.5	311P402	94347	208	1			8.00	12.00	RTA1-N	151193	CL00A310T-L	151150	42AF35AG	119627	
TEFC	1.5	8.2	311P402	94347	240	1			8.00	12.00	RTA1-N	151193	CL00A310T-S	151147	42AF35AG	119627	
TEFC	1.5	4.3	362272 or H535	101286	208	3	1	80.9	82.4%	4.00	6.30	RTA1-L	151191	CL00A310T-L	151150	42AF35AG	119627
TEFC	1.5	4.4	362272 or H535	101286	240	3	1	80.9	82.4%	4.00	6.30	RTA1-L	151191	CL00A310T-S	151147	42AF35AG	119627
TEFC	1.5	2.2	362272 or H535	101286	480	3	1	80.9	82.4%	1.80	2.70	RTA1-J	151189	CL00A310T-J	151146	42AF35AF	119626
TEFC	1.5	1.6	E127	105665	575	3	1.15	85.7	84.0%	1.30	1.90	RTA1-H	151188	CL00A310T-J	151146	-	-
TEFC	2	8.3	Baldor	205881	230	1	1.15	99	78.0%	5.50	8.50	RTA1-M	151192	CL00A310T-I	151275	42AF35AJ-24V	119625
TEFC	2	7	E166	158165	208	3	1.15	77.5	84.0%	5.50	8.50	RTA1-M	151192	CL00A310T-L	151150	-	-
TEFC	2	5.8	E166	158165	240	3	1.15	77.5	84.0%	4.00	6.30	RTA1-L	151191	CL00A310T-S	151147	-	-
TEFC	2	2.9	E166	158165	480	3	1.15	77.5	84.0%	2.50	4.10	RTA1-K	151190	CL00A310T-J	151146	-	-
TEFC	2	2.3	E169	158166	575	3	1.15	77.5	84.0%	1.80	2.70	RTA1-J	151189	CL00A310T-J	151146	-	-
TEFC	3	7.9	M3559T	159330	208	3	1.15	85.5	85.5%	5.50	8.50	RTA1-N	151192	CL00A310T-L	151150	-	-
TEFC	3	7.2	M3559T	159330	240	3	1.15	85.5	85.5%	5.50	8.50	RTA1-N	151192	CL00A310T-S	151147	-	-
TEFC	3	3.6	M3559T	159330	480	3	1.15	85.5	85.5%	2.50	4.10	RTA1-K	151190	CL00A310T-J	151146	-	-
TEFC	3	3	B-M3559T-5	111571	575	3	1.15	85.5	85.5%	2.50	4.10	RTA1-K	151190	CL00A310T-J	151146	-	-

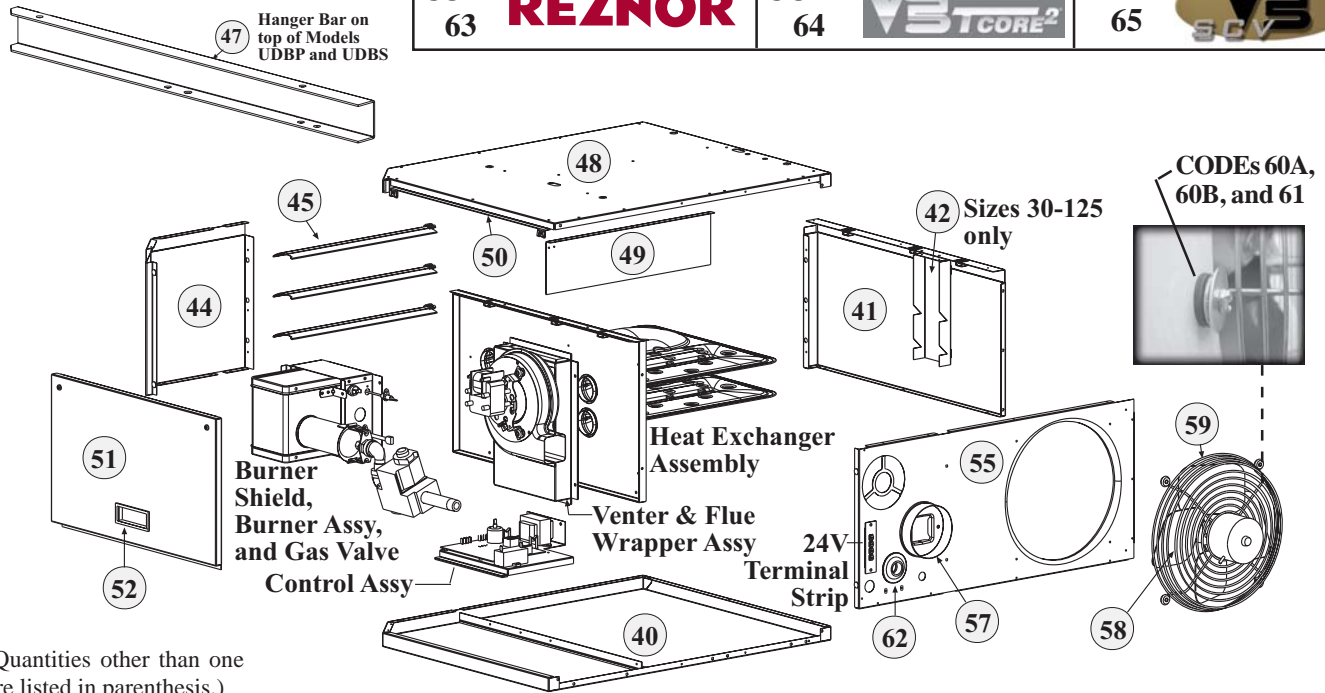
Drives - CODE 35 Motor Pulley, CODE 36 Blower Pulley, CODE 37 Belt

UDBP and UDBS	OPEN MOTOR		Voltage Option	Drive, Option AM	Motor Pulley			Blower Pulley			Average Belt Links and Type*
	HP	Option AL			P/N	Model	Bore	P/N	Model	Bore	
150 and 175	1/4, 1/3	2, 3	AK1, AK2, AK3, AK5, AK6, AK7	1, 2	4074	1VL34	1/2	111609	AK 99	1	"A-section" 3.8 ft
				3, 4	13491	1VL40	1/2	111609	AK 99	1	"A-section" 3.8 ft
				5, 6, 7	13491	1VL40	1/2	19111	AK 84	1	"A-section" 3.8 ft
				8, 9, 10, 11, 12	13491	1VL40	1/2	18797	AK 64	1	"A-section" 3.8 ft
				13, 14, 15, 16, 17	13491	1VL40	1/2	135200	AK 51	1	"A-section" 3.8 ft
150, 175, 200, 225, 250, 300, 350, and 400	1/2, 3/4, 1, 1-1/2	4, 5, 6, 7	AK1, AK2, AK3, AK5, AK6, AK7	1, 2	13580	1VL34	5/8	111609	AK 99	1	"A-section" 3.8 ft
				3, 4	7962	1VL40	5/8	111609	AK 99	1	"A-section" 3.8 ft
				5, 6, 7	7962	1VL40	5/8	19111	AK 84	1	"A-section" 3.8 ft
				8, 9, 10, 11, 12	7962	1VL40	5/8	18797	AK 64	1	"A-section" 3.8 ft
				13, 14, 15, 16, 17	7962	1VL40	5/8	135200	AK 51	1	"A-section" 3.8 ft
150, 175, 200, 225, 250, 300, 350, and 400	1/2, 3/4	4, 5	AK8	1, 2	13580	1VL34	5/8	111609	AK 99	1	"A-section" 3.8 ft
				3, 4	7962	1VL40	5/8	111609	AK 99	1	"A-section" 3.8 ft
				5, 6, 7	7962	1VL40	5/8	19111	AK 84	1	"A-section" 3.8 ft
				8, 9, 10, 11, 12	7962	1VL40	5/8	18797	AK 64	1	"A-section" 3.8 ft
				13, 14, 15, 16, 17	7962	1VL40	5/8	135200	AK 51	1	"A-section" 3.8 ft
150, 175, 200, 225, 250, 300, 350, and 400	1, 1-1/2	6, 7	AK8	1, 2	110125	1VP34	7/8	111609	AK 99	1	"A-section" 3.8 ft
				3, 4	106748	1VL40	7/8	111609	AK 99	1	"A-section" 3.8 ft
				5, 6, 7	106748	1VL40	7/8	19111	AK 84	1	"A-section" 3.8 ft
				8, 9, 10, 11, 12	106748	1VL40	7/8	18797	AK 64	1	"A-section" 3.8 ft
				13, 14, 15, 16, 17	106748	1VL40	7/8	135200	AK 51	1	"A-section" 3.8 ft
150, 175, 200, 225, 250, 300, 350, and 400	2	8	AK1, AK2, AK3	1, 2	13580	1VL34	5/8	111609	AK 99	1	"A-section" 3.8 ft
				3, 4	7962	1VL40	5/8	111609	AK 99	1	"A-section" 3.8 ft
				5, 6, 7	7962	1VL40	5/8	19111	AK 84	1	"A-section" 3.8 ft
				8, 9, 10, 11, 12	7962	1VL40	5/8	18797	AK 64	1	"A-section" 3.8 ft
				13, 14, 15, 16, 17	7962	1VL40	5/8	135200	AK 51	1	"A-section" 3.8 ft
150, 175, 200, 225, 250, 300, 350, and 400	2	8	AK5, AK6, AK7, AK8	1, 2	110125	1VP34	7/8	111609	AK 99	1	"A-section" 3.8 ft
				3, 4	106748	1VL40	7/8	111609	AK 99	1	"A-section" 3.8 ft
				5, 6, 7	106748	1VL40	7/8	19111	AK 84	1	"A-section" 3.8 ft
				8, 9, 10, 11, 12	106748	1VL40	7/8	18797	AK 64	1	"A-section" 3.8 ft
				13, 14, 15, 16, 17	106748	1VL40	7/8	135200	AK 51	1	"A-section" 3.8 ft
150, 175, 200, 225, 250, 300, 350, 400	3	9	AK2, AK3	9, 10, 11, 12	7962	1VL40	5/8	202652	AK124	1	"A-section" 3.8 ft
				3, 14, 15, 16, 17, 18, 1	7962	1VL40	5/8	202653	AK94	1	"A-section" 3.8 ft
150, 175, 200, 225, 250, 300, 350, 400	3, 5	9, 10	AK5, AK6, AK7, AK8	9, 10, 11, 12	106748	1VL40	7/8	101414	BK130	1	"B-section" 3.8 ft
				13, 14, 15, 16, 17	106748	1VL40	7/8	202654	BK105	1	"B-section" 3.8 ft
UDBP and UDBS	TEFC MOTOR		Voltage Option	Drive, Option AM	Motor Pulley			Blower Pulley			Average Belt Links and Type*
	HP	Option AL			P/N	Model	Bore	P/N	Model	Bore	
150 and 175	1/4	19	AK1	1, 2	4074	1VL34	1/2	111609	AK 99	1	"A-section" 3.8 ft
				3, 4	13491	1VL40	1/2	111609	AK 99	1	"A-section" 3.8 ft
				5, 6, 7	13491	1VL40	1/2	19111	AK 84	1	"A-section" 3.8 ft
				8, 9, 10, 11, 12	13491	1VL40	1/2	18797	AK 64	1	"A-section" 3.8 ft
				13, 14, 15, 16, 17	13491	1VL40	1/2	135200	AK 51	1	"A-section" 3.8 ft
150, 175, 200, 225, 250, 300, 350, and 400	1/4	19	AK2, AK3, AK5, AK6, AK7	1, 2	13580	1VL34	5/8	111609	AK 99	1	"A-section" 3.8 ft
				3, 4	7962	1VL40	5/8	111609	AK 99	1	"A-section" 3.8 ft
				5, 6, 7	7962	1VL40	5/8	19111	AK 84	1	"A-section" 3.8 ft
				8, 9, 10, 11, 12	7962	1VL40	5/8	18797	AK 64	1	"A-section" 3.8 ft
				13, 14, 15, 16, 17	7962	1VL40	5/8	135200	AK 51	1	"A-section" 3.8 ft
150 and 175	1/3	20	AK1, AK2, AK3, AK5, AK6, AK7	1, 2	4074	1VL34	1/2	111609	AK 99	1	"A-section" 3.8 ft
				3, 4	13491	1VL40	1/2	111609	AK 99	1	"A-section" 3.8 ft
				5, 6, 7	13491	1VL40	1/2	19111	AK 84	1	"A-section" 3.8 ft
				8, 9, 10, 11, 12	13491	1VL40	1/2	18797	AK 64	1	"A-section" 3.8 ft
				13, 14, 15, 16, 17	13491	1VL40	1/2	135200	AK 51	1	"A-section" 3.8 ft
150, 175, 200, 225, 250, 300, 350, and 400	1/2, 3/4, 1	21, 22, 23	AK1, AK2, AK3, AK5, AK6, AK7, AK8	1, 2	13580	1VL34	5/8	111609	AK 99	1	"A-section" 3.8 ft
				3, 4	7962	1VL40	5/8	111609	AK 99	1	"A-section" 3.8 ft
				5, 6, 7	7962	1VL40	5/8	19111	AK 84	1	"A-section" 3.8 ft
				8, 9, 10, 11, 12	7962	1VL40	5/8	18797	AK 64	1	"A-section" 3.8 ft
				13, 14, 15, 16, 17	7962	1VL40	5/8	135200	AK 51	1	"A-section" 3.8 ft
150, 175, 200, 225, 250, 300, 350, and 400	1-1/2	24	AK1, AK2, AK3, AK5, AK6, AK7	1, 2	13580	1VL34	5/8	111609	AK 99	1	"A-section" 3.8 ft
				3, 4	7962	1VL40	5/8	111609	AK 99	1	"A-section" 3.8 ft
				5, 6, 7	7962	1VL40	5/8	19111	AK 84	1	"A-section" 3.8 ft
				8, 9, 10, 11, 12	7962	1VL40	5/8	18797	AK 64	1	"A-section" 3.8 ft
				13, 14, 15, 16, 17	7962	1VL40	5/8	135200	AK 51	1	"A-section" 3.8 ft
150, 175, 200, 225, 250, 300, 350, and 400	1-1/2	24	AK8	1, 2	110125	1VP34	7/8	111609	AK 99	1	"A-section" 3.8 ft
				3, 4	106748	1VL40	7/8	111609	AK 99	1	"A-section" 3.8 ft
				5, 6, 7	106748	1VL40	7/8	19111	AK 84	1	"A-section" 3.8 ft
				8, 9, 10, 11, 12	106748	1VL40	7/8	18797	AK 64	1	"A-section" 3.8 ft
				13, 14, 15, 16, 17	106748	1VL40	7/8	135200	AK 51	1	"A-section" 3.8 ft
150, 175, 200, 225, 250, 300, 350, and 400	2	25	AK5, AK6, AK7, AK8	1, 2	110125	1VP34	7/8	111609	AK 99	1	"A-section" 3.8 ft
				3, 4	106748	1VL40	7/8	111609	AK 99	1	"A-section" 3.8 ft
				5, 6, 7	106748	1VL40	7/8	19111	AK 84	1	"A-section" 3.8 ft
				8, 9, 10, 11, 12	106748	1VL40	7/8	18797	AK 64	1	"A-section" 3.8 ft
				13, 14, 15, 16, 17	106748	1VL40	7/8	135200	AK 51	1	"A-section" 3.8 ft
150, 175, 200, 225, 250, 300, 350, 400	3	26	AK5, AK6, AK7, AK8	9, 10, 11, 12	106748	1VL40	7/8	101414	BK130	1	"B-section" 3.8 ft
				13, 14, 15, 16, 17	106748	1VL40	7/8	202654	BK105	1	"B-section" 3.8 ft

* Assume 17 belt links per foot. CODE 37, "A" Belt link, P/N 201809, Fenner #0408030; "B" Belt link, P/N 202655, Fenner #0408050.

Cabinet Parts

CODE 63 **REZNOR** CODE 64 **V3 T-CORE²** CODE 65 **SCV V3**



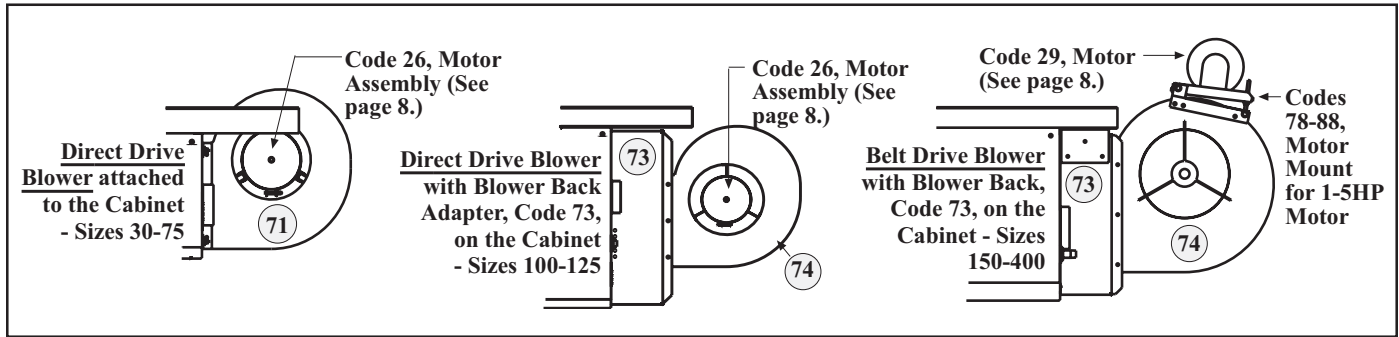
(Quantities other than one are listed in parenthesis.)

Code	Description	Model	30	45	60	75	100	125	150	175	200	225	250	300	350	400				
40	Bottom Pan Assembly	All	195772			196025			196350											
41	Left Side Panel	All	195492	195493			195494			195562			195563			195564				
42	Heat Exchanger Support	All	196317	196318	196319	196320	196321	196322	The heat exchanger support and support gaskets for Sizes 150-400 are part of the replacement heat exchanger; see page 14.											
43	Ht Exchngr Support Gasket	All	(2)195663																	
44	Front Panel	UDAP/UDAS	195489*		195490*		195491*		201692		201693		201694							
		UDBP/UDPS	201755		201756		201757		201692		201693		201694							
45A	Horizontal Louver	All	(3)195314		(4)195314		(6)195314		(5)195578		(7)195578		(10)195578							
45B	Compression Spring for Louvers	All	(3)195046		(4)195046		(6)195046		(5)195046		(7)195046		(10)195046							
46	Hanger Bar	UDBP/UDPS	Right		202744		202746		202748		202750		202752		202754		202756		202758	
			Left	202743		202745		202747		202749		202751		202753		202755		202757		
47	Clip Nut (for hanging)	All	(2)196336																	
48	Top Panel	UDAP/UDAS	195498*						195556			195557								
		UDBP/UDPS	201406						202944			195557								
49	Top Air Baffle	UDAP/UDAS	195545	195546	195547	195548	195549	195550	--	--	--	--	--	--	--	--	--			
		UDBP/UDPS	--	--	--	--	--	--	202945	202946	--	--	--	--	--	--	--			
50	Top Door Seal	All	195999																	
51A	Access Door (door only without handle and gaskets)	UDAP/ UDBP	195483		195484		195485		195565		195566		195567							
		UDAS/ UDBS	207604		207605		207606		207607		207608		207609							
51B	Window Plug	All	207525																	
52	Door Handle	All	196881																	
53	Door Rubber	UDAP/UDBP	(4)155064																	
54	Door Gaskets	UDAS/UDBS	Top/Btm		(2)196331						(2)201673									
			Side	(2)196332		(2)196333		(2)196334		(2)201674		(2)201675		(2)201676						
55	Rear Panel UDAS and UDBS include inlet collar. (Fan Model UDAP is illustrated.)	UDAP	195486		195487		195488*		196347		195558		195559		195560					
		UDAS	197035		197036		197037*		197038		197039		197040		197041					
		UDBP	201399		201400		196346		201789		201790		201791		201792					
		UDBS	201383		201384		201385		202319		202320		202321		202322					
56	Outlet Collar Gasket	All	170048																	
57	Outlet Collar (attaches with screws)	UDAP w/std power vent and UDBP	195077, 4"						195079, 5"			196640, 5"			195662, 6"					
		UDAP-CV w/Opt AV6 UDAS and UDBS	195077, 4"						195079, 5"			196640, 5"			195662, 6"					
		UDAS and UDBS	195077, 4"						195079, 5"			196640, 5"			195662, 6"					
58	Fan Blade	UDAP/UDAS	195644	195645	195646	195647	195648	195649	195678, 18, 3-24	195679, 18, 3-29	195680, 18, 3-32	195681, 20, 3-27	195682, 20, 3-30	195683, 24, 3-20	209122, Lau 61204001 (replaces 195684)	209121, Lau 61206801 (replaces 195685)				
		UDAP45 Low Noise, Opt AL2B	N/A	202960		N/A														
59	Fan Guard	All	175266		175267		195047		170084		170085		170086							
60A	Fan Guard Isolator Bushing	UDAP/UDAS	(4)196349																	
60B	Screws for Codes 60A & 61		(4)196330																	
61	Fan Guard Isolator		(4)196348																	
62	Grommet for Pipe	All	102607																	
63	Reznor Label	All	196690		196689		196691		196689		196691		15021							
64	V3 T-CORE ² Label	UDAP/UDBP	196693																	
65	SCV V3 Label	UDAS/UDBS	201856																	
66	Cabinet Touchup Paint	All	201805, 11oz spray can, white																	
67	Horizontal Louver Paint		207432, 12 oz aerosol can, maroon																	

*Parts changed effective 3/18/03. Not interchangeable with previously manufactured parts with same P/N.

Cabinet Parts (cont'd)

Blower Backs and Blowers - UDBP and UDBS

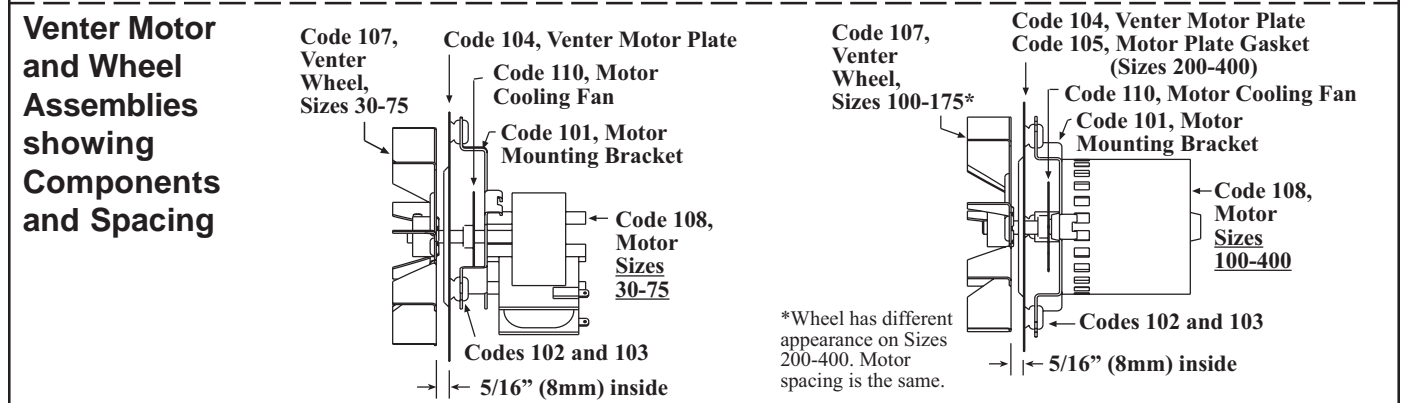
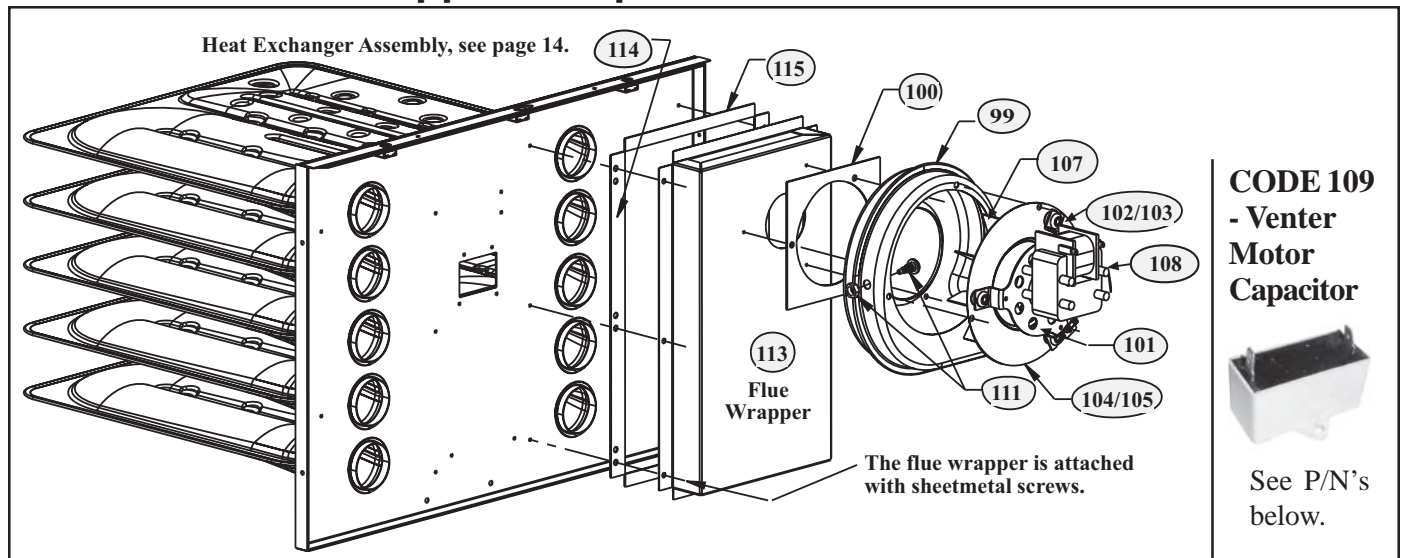


Code	Description	30	45	60	75	100	125	150	175	200	225	250	300	350	400	
70	Restrictor Assembly	201408	-	-	-	-	-	-	-	-	-	-	-	-	-	
70A	Restrictor	194512	-	-	-	-	-	-	-	-	-	-	-	-	-	
70B	Restrictor Angle	(3)100892	-	-	-	-	-	-	-	-	-	-	-	-	-	
70C	Sheetmetal Screw	(3)195638	-	-	-	-	-	-	-	-	-	-	-	-	-	
71	Blower Assembly	201401				See Code 74.										
71A	Blower 9 X 6	82111														
71B	Blower Mounting Angle	(2)201740														
71C	#10 x 1/2" Long Tekes	(6)37661														
72	Blower Back Corner Post	-	-	-	-	196239		201797			201798		201799			
73	Blower Adapter Back Assembly	-	-	-	-	201403	202931	201800			201801		201802			
73A	Adapter Back Bottom	-	-	-	-	202050		201718			201719		201720			
73B	Adapter Back Top	-	-	-	-	196032		201715			201716		201717			
73C	Adapter Back Left Side	-	-	-	-	197253		201724			201725		201726			
73D	Adaper Back Right Side	-	-	-	-	197254		201721			201722		201723			
73E	Screw	-	-	-	-	(20)195638		(34)195638			(26)195638		(34)195638			
73F	Air Baffle Horizontal	-	-	-	-	(2)196344	202934	(2)202932			-	-	(2)202933			
73G	Air Baffle Vertical	-	-	-	-	196345	-	-	-	-	-	-	-	-	-	
73H	Hanger Support Bracket Left	-	-	-	-	-	-	202759								
73I	Hanger Support Bracket Right	-	-	-	-	-	-	202760								
73J	Bolt 1/4" X 5/8" (Hanger Support Bracket to Adapter Back)	-	-	-	-	-	-	(6)47252								
73K	Nut 1/4" - 20	-	-	-	-	-	-	(6)7328								
74	Blower	See CODE 71.				201770, 10x10		1360, 12x12			100658, 15x11		100659, 15x15			
75	Key, 1/4" square x 1-1/4" long	-	-	-	-	-	-	16099								

Blower Motor Mounting Components

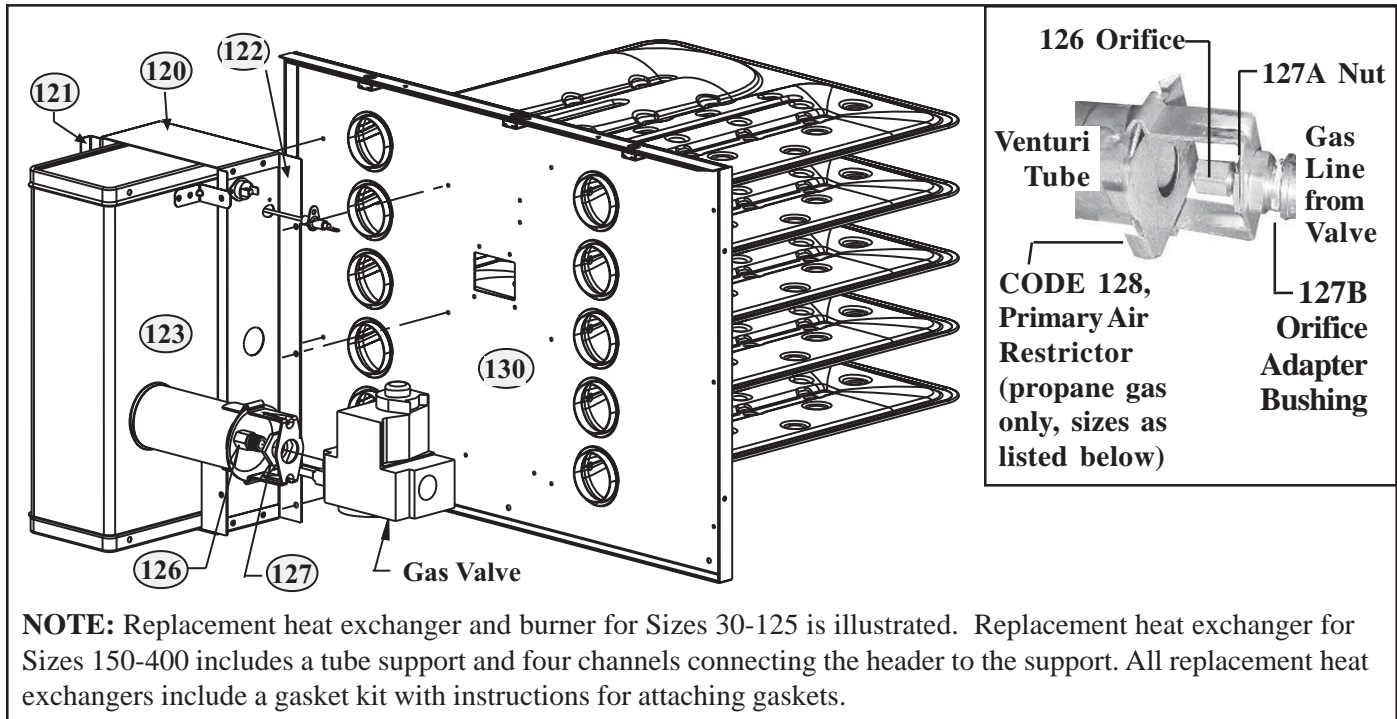
Motor	Mounting 1/4 - 3/4 HP Motor	150-250	Motor Mounting 1-5 HP Motor	175-200	225-250	300-400	
76	Motor Adjustment Bracket Assembly	193996	78	Motor Mounting Plate for 1HP - 5HP	202839	202840	202841
76A	Motor Adjustment Bracket	12575	79	Motor Mounting Plate Left Support	194122		
76B	5/16-18 Spotweld Nut	(2)16233	80	Motor Mounting Plate Right Support	194121		
76C	Hex Head Motor Adjustment Bolt, 5/16-18 x 4" long	(2)14668	81	Rod Bolt 5/16-18	(2) 12489		
76D	5/16-18 Hex Nut	(2) 1035	82	Hex Nut 5/16-18	(2) 1035		
76E	1/4-20 x 3/4" long Hex Head Cap Screw	(2) 16246	83	Hex Nut 5/16-18 (Keps)	(6) 6554		
76F	1/4-20 Hex Nut (Kep)	(2) 10650	84	Flat Washer 5/16"	(8) 1087		
76G	1/4" Flat Washer	(4) 1320	85	5/16-18 x 3/4" long Hex Head Cap Screw	(6) 16247		
77	Hardware Bag for CODE 76	64940	86	5/16-18 x 1-1/2" long Hex Head Cap Screw	(2) 16248		
			87	5/16" - 18 Threaded Insert #ATS2-518	(4)124260		
			88	#10-16 x 1/2" long Tekes	(4) 37661		

Venter and Flue Wrapper Components



Code	Description	Model	30	45	60	75	100	125	150	175	200	225	250	300	350	400		
99	Venter Housing	All	196248								195634							
100	Venter Housing Gasket		196012								196013							
101	Venter Motor Bracket		195072															
102	Venter Motor Isolator		(3)194534															
103A	Venter Motor Isolator Bushing		(3)194803															
103B	Venter Motor Isolator Bushing Screw		(3) 113275															
104	Venter Motor Plate		194806								194910							
105	Venter Motor Plate Gasket		--	--	--	--	--	--	--	--	--	201472						
106A	Venter Motor Clip		194805 (208/230V only)				194805				(3)194805							
106B	Venter Motor Clip Screw		92851 (208/230V only)				92851				(3) 92851							
107	Venter Wheel		All Models except UDAP-CV	195036								195666						
			UDAP-CV w/AV6 (common vent)	211819								--	--	--	--	--	--	--
108A	Venter Motor	115V	175273				208034				196036		208194 (replaces 196037)		196236			
	NOTE: 460V and 575V supply use	UDAP/UDAS	196827				196828				196828		196829		196830			
		UDBP/UDBS	N/A				196828				196828		196829		196830			
108B	Vntr Mtr w/Opt D10&14 DDC Cntrl	115V	UDAP/UDAS				N/A				207992 196036		208194 196037		196236 207892			
		208/230V/1ph	UDAP/UDAS				N/A				196828		196829		196830			
109A	Venter Motor Capacitor	115V	--	--	--	--	--	--	--	--	195641, 4MFD, 400 VAC, #MB40040EB		195643, 7.5MFD, 400 VAC, #MB40075EB		195642, 5MFD, 400VAC, #MB40050EB			
	NOTE: 460V and 575V supply use 115V venter motor.	208-230V/1ph	--	--	--	--	--	195643, 7.5MFD, 400 VAC, #MB40075EB	195641, 4MFD, 400 VAC, #MB40040EB		195642, 5MFD, 400VAC, #MB40050EB		195641, 4MFD, 400 VAC, #MB40040EB					
		208-230V/3ph	UDBP/UDBS				N/A											
109B	Vntr Mtr Capacitor w/Opt D10&14 DDC	115V	UDAP/UDAS				N/A				195642 195641		195643		195642 195643			
		208/230V/1ph	UDAP/UDAS				N/A				195641		195642		195641			
110	Venter Motor Cooling Fan	All	195766								196035							
111	Static Pressure Tap	All	116043															
112	Silicone Rubber Tubing	All	148986, 6" long								148251, 12"		205837, 16"		130673, 20"		157904, 22"	
113	Flue Wrapper Assy	UDAP w/ std power vent & UDBP	196000	196001	196002	196003	196004	196005	201473	204461	201475	201476	201477	201478	201481	202721		
		UDAP-CV with Option AV6	196802	196803	196804	196805	196806	--	--	--	--	--	--	--	--	--		
		UDAS	196807	196808	196809	196810	196811	196812	201473	204461	201475	201476	201477	201478	201481	202721		
		UDBS	202715	202716	202717	202718	202719	196812	201473	204461	201475	201476	201477	201478	201481	202721		
114	Side Flue Wrapper Gasket	All	(2) 170029		(2) 170030		(2) 170031		(2)	(2)	(2)	(2)	(2)	(2)	(2)	(2)		
			170033		170034		170035		170042	170043	170044	170043	170044	170036	170037	170037		
115	Top/Btm Flue Wrapper Gasket	All	(2)170038								(2)170039							

Heat Exchanger and Burner Assemblies





Burner Assembly (Quantities other than one are listed in parenthesis.)

Code	Description	Model	30	45	60	75	100	125	150	175	200	225	250	300	350	400	
120	Burner Shield Top/Btm	All	(2)195500						(2)195501						(2)195500		
121	Burner Shield Front Side	UDAP/UDAS	195512	195513	195514	195515	195516	195517	195515	195518	195516	195517	195519	195520	195521		
		UDBP/UDBS	195512	195513	195514	202726	195516	195517	195515	195518	195516	195517	195519	195520	195521		
122	Burner Shield Rear Side	UDAP/UDAS	195502	195503	195504	195505	195506	195507	195774	195508	195775	195776	195509	195510	195511		
		UDBP/UDBS	201434	201435	201436	201437	201438	201439	195774	195508	195775	195776	195509	195510	195511		
123	Burner Assembly	UDAP/UDAS	195231	195232	195233	195234	195235	195236	195237	195238	195239	195240	195241	195242	195243		
		UDBP/UDBS	195231	195232	195233	202642	195235	195236	195237	195238	195239	195240	195241	195242	195243		
123A	Burner End Gaskets	All	(2) 195667						(2) 195668								
124	Burner Baffle	UDAP/UDAS	--	--	--	--	(2)196750	--	(2)197238						(2) 197239	--	
		UDBP/UDBS	--	--	(2) 196749	(2)202682 (2)202683 (2)202684	(2)196750 (2)	--	(2)197238						(2) 197239	--	
125	Burner Support	All	(3)196597 196752	(4)196597			(6)196597		(4)196598			(6)196598					
126	Burner Orifice	Natural Gas	196853 #37	196838 #30	196839 3.7MM	196855 #19	120158 #10	196840 #4	131581 5.9MM	196891 E	196892 6.8MM	196893 7.2MM	196894 7.6MM	196895 21/64	196896 9.0MM	196897 9.6MM	
		Propane Gas	196844 1.6MM	196845 #48	196846 2.3MM	196852 #39	196854 3.0MM	196847 3.2MM	196898 9/64"	196899 #24	196900 4.1MM	196901 11/64"	196902 #14	196903 #8	196904 #3	196905 5.8MM	
127A	1/2" Pipe Nut		165702														
127B	Orifice Adapter Bushing		165701, 1/2x1/4									194809, 3/4x3/8					
128	Primary Air Restrictor	Propane Gas only	UDAP/UDAS 196687		196688			--	196688	--	--	--	--	--	--	--	
			UDBP/UDBS 203078		202051			196688			--	--	--	--	--	--	
129	Gas Conversion Kits	Natural to Propane	UDAP/UDAS 201727		201728			202938		201730		201731			201732		
			UDBP/UDBS 202936		202937												
		Propane to Natural	All 201733		201734			201735		201736		201737			201738		

Heat Exchanger Assembly (Quantities other than one are listed in parenthesis.)

Code	Description	30	45	60	75	100	125	150	175	200	225	250	300	350	400		
130	Heat Exchanger Assembly with Gasket Kit	UDAP and UDAS	Aluminized	201628	201629	201630	201631	201632	201633	201634	201635	201636	201637	201638	201639	201640	
			409 SS	201654	201655	201656	201657	201658	201659	201660	201661	201662	201663	201664	201665	201666	
		UDBP and UDBS	Aluminized	202623	202624	202625	202626	202627	202628	201634	201635	201636	201637	201638	201639	201640	
			409 SS	202629	202630	202631	202632	202633	202634	201660	201661	201662	201663	201664	201665	201666	
			316 SS	202635	202636	202637	202638	202639	202640	201647	201648	201649	201650	201651	201652	201653	
130A	Gasket Kit for Heat Exchanger	201667		201668			201669		201670		201671			201672			

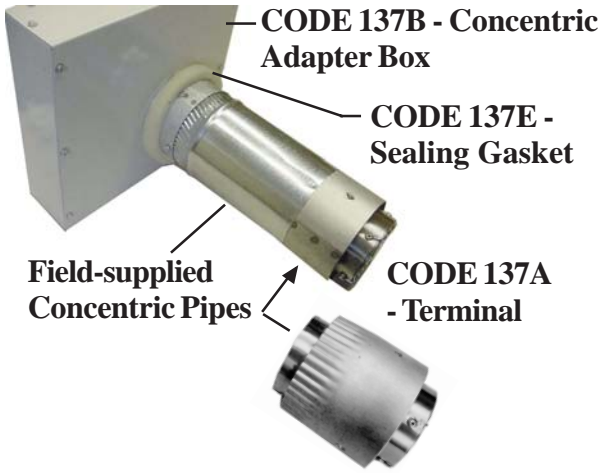


Venting and Combustion Air Kits - Models UDAS and UDBS

<p>CODES 135A and 136A - Concentric Adapter Box Assembly</p>	<p><u>View of Heater Connection</u> Side</p>	<p><u>View of Vent Terminal</u> Connection Side</p>
		
	<p>Collar for attaching the combustion air pipe from the heater</p> <p>Opening for the vent pipe. The vent pipe extends from the terminal, through the outside air pipe, through the box, and connects to the vent run.</p>	<p>Collar for attaching the outside portion of the combustion air pipe (the vent pipe runs concentric through the outside portion of the combustion air pipe)</p>

<p>CODE 135B - Exhaust Terminal (Vertical Kit)</p>  <p>CODE 135C - Combustion Air Inlet (Vertical Kit)</p> 	<p>CODE 136B - Screened Exhaust Assembly (Horizontal Kit)</p>  <p>CODE 136C - Inlet Guard (Horizontal Kit)</p> 
---	--

<p>CODE 135 - Vertical Vent Terminal/Combustion Air Package (Same as Option CC2) includes:</p> <table border="1" style="width: 100%; border-collapse: collapse;"> <thead> <tr> <th>Code</th> <th>Qty</th> <th>Size</th> <th>P/N</th> <th>Description</th> </tr> </thead> <tbody> <tr> <td rowspan="2">135</td> <td rowspan="2">1</td> <td>30-125</td> <td>205895</td> <td rowspan="2">Complete Vertical Vent Kit (Same as Option CC2)</td> </tr> <tr> <td>150-400</td> <td>205896</td> </tr> <tr> <td rowspan="2">135A</td> <td rowspan="2">1</td> <td>30-125</td> <td>205884</td> <td rowspan="2">Concentric Adapter Box Assembly</td> </tr> <tr> <td>150-400</td> <td>205885</td> </tr> <tr> <td rowspan="2">135B</td> <td rowspan="2">1</td> <td>30-125</td> <td>155631</td> <td rowspan="2">Exhaust (Vent) Terminal</td> </tr> <tr> <td>150-400</td> <td>53326</td> </tr> <tr> <td rowspan="2">135C</td> <td rowspan="2">1</td> <td>30-125</td> <td>155635</td> <td rowspan="2">Combustion Air Inlet</td> </tr> <tr> <td>150-400</td> <td>53330</td> </tr> <tr> <td>135D</td> <td>1</td> <td>30-400</td> <td>53335</td> <td>Tube of High Temperature (450°F) Silicone Sealant</td> </tr> </tbody> </table>	Code	Qty	Size	P/N	Description	135	1	30-125	205895	Complete Vertical Vent Kit (Same as Option CC2)	150-400	205896	135A	1	30-125	205884	Concentric Adapter Box Assembly	150-400	205885	135B	1	30-125	155631	Exhaust (Vent) Terminal	150-400	53326	135C	1	30-125	155635	Combustion Air Inlet	150-400	53330	135D	1	30-400	53335	Tube of High Temperature (450°F) Silicone Sealant	<p>CODE 136 - Horizontal Vent Terminal/Combustion Air Package (Same as Option CC6) includes:</p> <table border="1" style="width: 100%; border-collapse: collapse;"> <thead> <tr> <th>Code</th> <th>Qty</th> <th>Size</th> <th>P/N</th> <th>Description</th> </tr> </thead> <tbody> <tr> <td rowspan="2">136</td> <td rowspan="2">1</td> <td>30-125</td> <td>205882</td> <td rowspan="2">Complete Horizontal Vent Kit (Same as Option CC6)</td> </tr> <tr> <td>150-400</td> <td>205883</td> </tr> <tr> <td rowspan="2">136A</td> <td rowspan="2">1</td> <td>30-125</td> <td>205884</td> <td rowspan="2">Concentric Adapter Box Assembly</td> </tr> <tr> <td>150-400</td> <td>205885</td> </tr> <tr> <td rowspan="2">136B</td> <td rowspan="2">1</td> <td>30-125</td> <td>155096</td> <td rowspan="2">Screened Exhaust Assembly</td> </tr> <tr> <td>150-400</td> <td>53316</td> </tr> <tr> <td rowspan="2">136C</td> <td rowspan="2">1</td> <td>30-125</td> <td>151755</td> <td rowspan="2">Inlet Guard</td> </tr> <tr> <td>150-400</td> <td>124940</td> </tr> <tr> <td>136D</td> <td>4</td> <td>30-400</td> <td>37661</td> <td>#10-16 x 1/2" lg Screws to attach the inlet guard</td> </tr> <tr> <td>136E</td> <td>1</td> <td>30-400</td> <td>53335</td> <td>Tube of High Temperature (450°F) Silicone Sealant</td> </tr> </tbody> </table>	Code	Qty	Size	P/N	Description	136	1	30-125	205882	Complete Horizontal Vent Kit (Same as Option CC6)	150-400	205883	136A	1	30-125	205884	Concentric Adapter Box Assembly	150-400	205885	136B	1	30-125	155096	Screened Exhaust Assembly	150-400	53316	136C	1	30-125	151755	Inlet Guard	150-400	124940	136D	4	30-400	37661	#10-16 x 1/2" lg Screws to attach the inlet guard	136E	1	30-400	53335	Tube of High Temperature (450°F) Silicone Sealant
Code	Qty	Size	P/N	Description																																																																														
135	1	30-125	205895	Complete Vertical Vent Kit (Same as Option CC2)																																																																														
		150-400	205896																																																																															
135A	1	30-125	205884	Concentric Adapter Box Assembly																																																																														
		150-400	205885																																																																															
135B	1	30-125	155631	Exhaust (Vent) Terminal																																																																														
		150-400	53326																																																																															
135C	1	30-125	155635	Combustion Air Inlet																																																																														
		150-400	53330																																																																															
135D	1	30-400	53335	Tube of High Temperature (450°F) Silicone Sealant																																																																														
Code	Qty	Size	P/N	Description																																																																														
136	1	30-125	205882	Complete Horizontal Vent Kit (Same as Option CC6)																																																																														
		150-400	205883																																																																															
136A	1	30-125	205884	Concentric Adapter Box Assembly																																																																														
		150-400	205885																																																																															
136B	1	30-125	155096	Screened Exhaust Assembly																																																																														
		150-400	53316																																																																															
136C	1	30-125	151755	Inlet Guard																																																																														
		150-400	124940																																																																															
136D	4	30-400	37661	#10-16 x 1/2" lg Screws to attach the inlet guard																																																																														
136E	1	30-400	53335	Tube of High Temperature (450°F) Silicone Sealant																																																																														

CODE 137 - Aesthetic Horizontal Concentric Vent/Combustion Air Kit - Models UDAS and UDBS Sizes 30, 45, 60, and 75 (Same as Option CC14)

Package P/N 209343 (Same as Option CC14)				
CODE	P/N	Qty	Description	
137A	208994	1	Assembled Vent/Combustion Air Terminal	
137B	209320	1	Concentric Adapter Box	
137C	209337	2	Mounting Brackets	
137D	195638	6	Sheetmetal Screws #8-18 X 3/8	
137E	209338	1	Sealing Gasket	
137F	53335	1	Clear Sealant, #732, 3 oz tube	
<p>*Example of a Finished Vinyl Siding Installation</p> 	<p>*Example of a Finished Brick Wall Installation</p> 			
<p>*Field-supplied parts required.</p>				

Accessories/Options

CODE 140 - Vent Cap - Models UDAP and UDBP (Same as Option CC1)



Code	Description	30	45	60	75	100	125	150	175	200	225	250	300	350	400	
140A	Vent Cap for standard UDAP and UDBP	111848, 4"					111849, 5"					111850, 6"				
140B	Vent Cap for UDAP-CV (Model UDAP with Option AV6 for common venting)	111848, 4"			111849, 5"		--	--	--	--	--	--	--	--	--	--

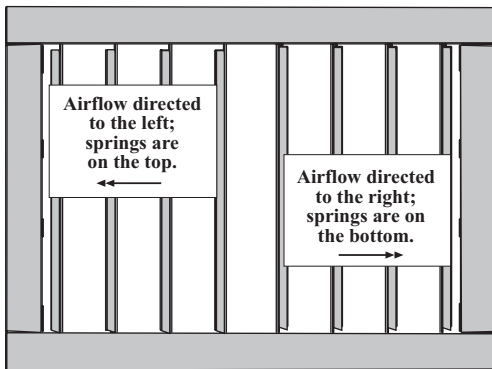
CODE 141 - High Altitude Pressure Switch Kit - Above 6000 ft/1830M Elevation (Same as Option DJ20, DJ21) - Models UDAP, UDAS, UDBP, UDBS as listed

See pressure switch locations in illustrations on pages 4 and 5.



Option DJ20 for Model UDAP installed as a standard Power Vented Fan-Type Unit Heater	Model UDAP	30	45	60	75	100	125	150	175	200	225	250	300	350	400	
	Pkg P/N	197117			197118			197117			201162			201163		
	High Altitude Switch P/N	197031			197032			197031			201160			201161		
	Negative Pressure OFF Setpoint "w.c.	0.35			0.45			0.35			1.05			1.30		
	Label color	Purple			Pink			Purple			Brown			White		
Option DJ21 applies only to Model UDAP-CV with Option AV6 for Common Venting	Model UDAP-CV	30	45	60	75	100										
	Pkg P/N	197119	197118	197120		197121										
	High Altitude Switch P/N	197029	197032	196362		196388										
	Negative Pressure OFF Setpoint "w.c.	0.60	0.45	0.55		0.50										
	Label color	Lt Blue	Pink	White		Orange										
Option DJ20 for Model UDAS Separated Combustion Fan-Type Unit Heater	Model UDAS	30	45	60	75	100	125	150	175	200	225	250	300	350	400	
	Pkg P/N	197119				197121	197205	197117		201162			201163			
	High Altitude Switch P/N	197029				196388	197030	197031		201160			201161			
	Differential Pressure OFF Setpoint "w.c.	0.60				0.50	0.40	0.35		1.05			1.30			
	Label color	Lt. Blue				Orange	Green	Purple		Brown			White			
Option DJ20 for Model UDBP Power Vented Blower-Type High Static Unit Heater	Model UDBP	30	45	60	75	100	125	150	175	200	225	250	300	350	400	
	Pkg P/N	197117			197118			197117			201162			201163	201162	
	High Altitude Switch P/N	197031			197032			197031			201160			201161	201160	
	Negative Pressure OFF Setpoint "w.c.	0.35			0.45			0.35			1.05			1.30	1.05	
	Label color	Purple			Pink			Purple			Brown			White	Brown	
Option DJ20 for Model UDBS Separated Combustion Blower-Type High Static Unit Heater	Model UDBS	30	45	60	75	100	125	150	175	200	225	250	300	350	400	
	Pkg P/N	197117	197118	202103	197118	197117	197205	197117		201162			201163	201162		
	High Altitude Switch P/N	197031	197032	196362	197032	197031	197030	197031		201160			201161	201160		
	Differential Pressure OFF Setpoint "w.c.	0.35	0.45	0.55	0.45	0.35	0.40	0.35		1.05			1.30	1.05		
	Label color	Purple	Pink	White	Pink	Purple	Green	Purple		Brown			White	Brown		

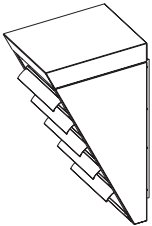
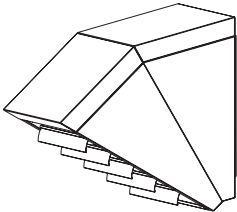
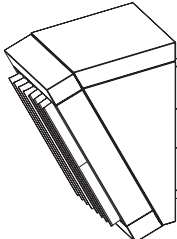
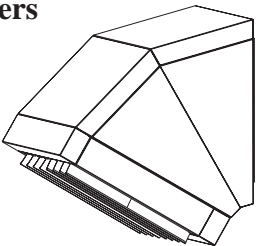
CODE 142 - Vertical Louvers (Same as Option CD1) - UDAP/UDAS/UDBP/UDBS



Size	30, 45	60, 75	100, 125	150, 175, 200	225, 250	300, 350, 400
Option Pkg P/N	197097	197098	197099	201199	201200	201201
<i>Components</i>						
Louver Frame Top and Bottom	(2)197056			(2)197189		(2)197190
Louver Frame Sides	(2)197057	(2)197058	(2)197059	(2)197186	(2)197187	(2)197188
Screws	(20) 195638, #8-18 x 3/8" long, AB point, slotted indented serrated hex washer head					
Louvers	(5)196232	(5)196231	(5)196233	(8)196572	(8)196573	(8)195315
Compression Springs	(5)195046	(5)195046	(5)195046	(8)195046	(8)195046	(8)195046

Install and adjust vertical louvers to achieve desired airflow pattern.

CODE 143 - Downturn Nozzles (Same as Options CD2, CD3, CD4)

Option CD2 - one nozzle section with a 25-65° range of air deflection	Option CD3 - two nozzle sections with a 50-90° range of air deflection	Option CD4 - one nozzle section with a 25-65° range of air deflection and vertical louvers	Option CD5 - two nozzle sections with a 50-90° range of air deflection and vertical louvers (use on Models UDBP and UDBS only)
			

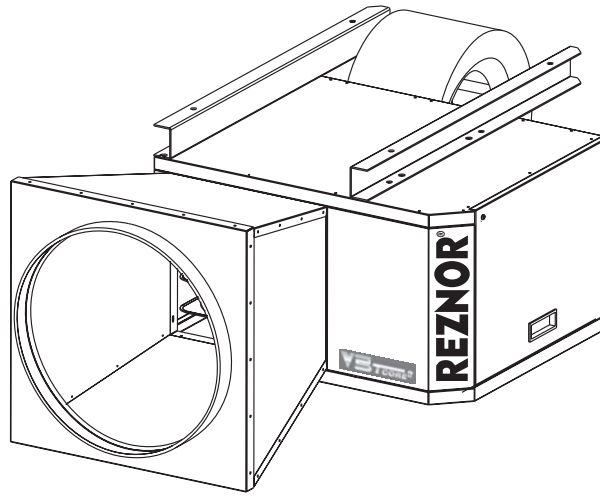
Size	30, 45	60, 75	100, 125	150, 175, 200	225, 250	300, 350, 400
Option CD2 Pkg P/N	197103	197104	197105	201202	201203	201204
Nozzle Section Right Side	(1)196990	(1)196991	(1)196992	(1)197173	(1)197174	(1)197175
Nozzle Section Left Side	(1)196993	(1)196994	(1)196995	(1)197176	(1)197177	(1)197178
Nozzle Section Top	(1)196987	(1)196988	(1)196989	(1)197170	(1)197171	(1)197172
Nozzle Bracket	--	--	--	(2)201708		(2)201709
Nozzle Section Bottom	(1)196996			(1)196997		(1)197179
Screws, #8-18 x 3/8" long AB point, slotted indented serrated hex washer head	(14) 195638			(16) 195638		
Option CD4 Pkg P/N	197114	197115	197116	201208	201209	201210
Same components as Option CD2 above PLUS						
Louver	(5)196232	(5)196231	(5)196233	(8)196572	(8)196573	(8)195315
Compression Spring	(5)195046	(5)195046	(5)195046	(8)195046	(8)195046	(8)195046
Louver Top and Bottom Support	(2)197056			(2)197189		(2)197190
Louver Side	(2)197057	(2)197058	(2)197059	(2)197186	(2)197187	(2)197188
Screws	(20) 195638, #8-18 x 3/8" long AB point, slotted indented serrated hex washer head					
Option CD3 Pkg P/N	197111	197112	197113	201205	201206	201207
Nozzle Section Right Side	(2)196990	(2)196991	(2)196992	(2)197173	(2)197174	(2)197175
Nozzle Section Left Side	(2)196993	(2)196994	(2)196995	(2)197176	(2)197177	(2)197178
Nozzle Section Top	(2)196987	(2)196988	(2)196989	(2)197170	(2)197171	(2)197172
Nozzle Bracket	--	--	--	(2)201708		(2)201709
Nozzle Section Bottom	(2)196996			(2)196997		(2)197179
Screws, #8-18 x 3/8" long AB point, slotted indented serrated hex washer head	(28) 195638			(30) 195638		
Option CD5 Pkg P/N	202094	202095	202096	202097	202098	202099
Same components as Option CD3 above PLUS						
Louver	(5)196232	(5)196231	(5)196233	(8)196572	(8)196573	(8)195315
Compression Spring	(8)195046	(8)195046	(8)195046	(8)195046	(8)195046	(8)195046
Louver Top and Bottom Support	(2)197056			(2)197189		(2)197190
Louver Side	(2)197057	(2)197058	(2)197059	(2)197186	(2)197187	(2)197188
Screws	(22) 195638, #8-18 x 3/8" long AB point, slotted indented serrated hex washer head					

Accessories/Options (cont'd)

CODE 144 - Duct Flange, Models UDBP and UDBS (Same as Option CD9)

Model UDBP and UDBS	30, 45	60, 75	100, 125	150, 175, 200	225, 250	300, 350, 400
Option Pkg P/N	202909	202910	202911	202912	202913	202914
Components (qty in parenthesis):						
Duct Flange Section (Side & Top / Side & Bottom)	(2) 201750	(2) 201751	(2) 201752	(2) 201813	(2) 201814	(2) 201815
Sheetmetal Screws, #10 x 1/2"	(16) 11813	(14) 11813	(16) 11813	(18) 11813		

CODE 145 - Polytube Adapter, Models UDBP and UDBS Sizes 75-400 (Same as Option CD11)



Model UDBP and UDBS	75	100, 125	150, 175, 200	225, 250	300, 350, 400
Option Pkg P/N	203086	203087	203088	203089	203090
Components:					
Adapter Top/Bottom	(2)202962	(2)202964	(2)202966	(2)202968	(2)202970
Adapter Side	(2)202961	(2)202963	(2)202965	(2)202967	(2)202969
Discharge Panel Assy	101249		101250		
Discharge Duct Collar Clamp	101499		146463		
Sheetmetal Screws, #10 x 1/2" long	(52)11813				
Sheetmetal Screw, #10 x 3/4" long	20859		--		
1/4-20 x 1-1/2" long Hex Head Screw	--		51231		
1/4-20 Hex Nuts	--		7328		
1/4-20 Wing Nut	--		107246		

CODES 146 and 147 - Guards for Models UDBP and UDBS (Same as Option CD10 and CD12)



**CODE 146,
Blower Inlet
Guard in
CD10 and
CD12**



**CODE 147,
Belt Guard in
Option CD10**

Option CD12 for UDBP and UDBS 30-125	Qty	P/N
Option Pkg P/N		114548
Blower Inlet Guard	1	102474
Screws, #10-16 x 1/2" lg	4	37661

Option CD10, Belt & Blower Guards	150-200		225-400	
Option Pkg P/N	202316		202317	
Components:	Qty	P/N	Qty	P/N
Blower Inlet Guard	1	203079	1	102475
Belt Guard	1	193797	1	193795
Green Wire Assembly	1	202939	1	202939
Screws, #10-16 x 1/2" lg (4 for attaching blower inlet guard; 3 for attaching belt guard; and 1 for attaching ground wire to blower)	8	37661	8	37661

Thermostats and Thermostat Accessories

<p>CODE 150, Single-Stage Thermostat, W/R 1C30-341, 24 volt, 40-80°F, P/N 91919</p> <p>(Same as Option CL1)</p>	<p>CODE 151, Single-Stage Thermostat, W/R 1C30-341, 24 volt, 40-80°F, and Heating Subbase with Fan Switch, WR S23-6, P/N 194236</p> <p>(Same as Option CL2)</p>	<p>CODE 152, Single-Stage Thermostat, M/H T87F2055, 24V, 40-90°F, P/N 39581</p> <p>(Same as Option CL3)</p>
--	--	--

<p>CODE 153, Two-Stage Thermostat, M/H T874F1130, 24 volt, 40-90°F, P/N 93435</p> <p>(Same as Option CL7)</p>	<p>CODE 154, Two-Stage Thermostat, M/H 874F1007, 24 volt, 40-90°F, with Subbase Q674C1009, P/N 197265</p> <p>(Same as Option CL18)</p>
--	---

CODE 155, Locking Cover for Single Stage Thermostat Option CL1 or CL2, P/N 91926

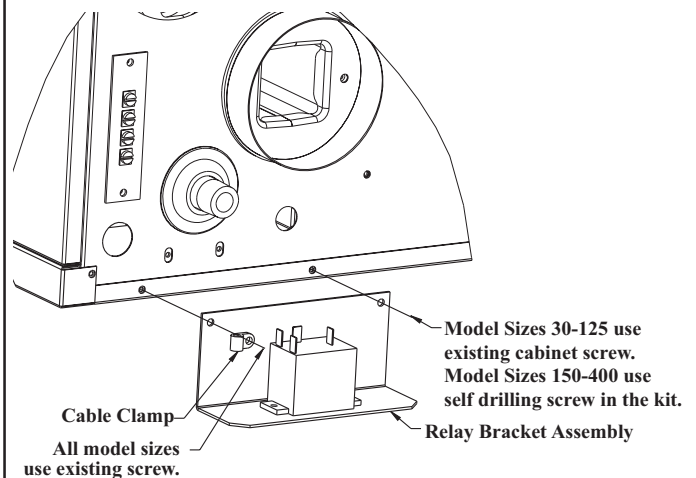
(Same as Option CM1)

CODE 157, Kits for Control of 2-6 Heaters

Pkg P/N 197155 for One "Control" Heater and One Additional Heater (Same as Option CL31)		
Qty	P/N	Description
1	194808	Transformer 40VA (for the "control" unit)
2	197157	Relay Assemblies each consisting of one P/N 98118, RBM Relay (WR #134-20102-101), wired and mounted on a specially designed bracket.
2	195249	Self drilling screw for attaching relay bracket
2	16228	Cable Clamp 3/16"
1	197160	Wiring Harness Assembly (brown wires)
2	197164	Wiring Diagram Label

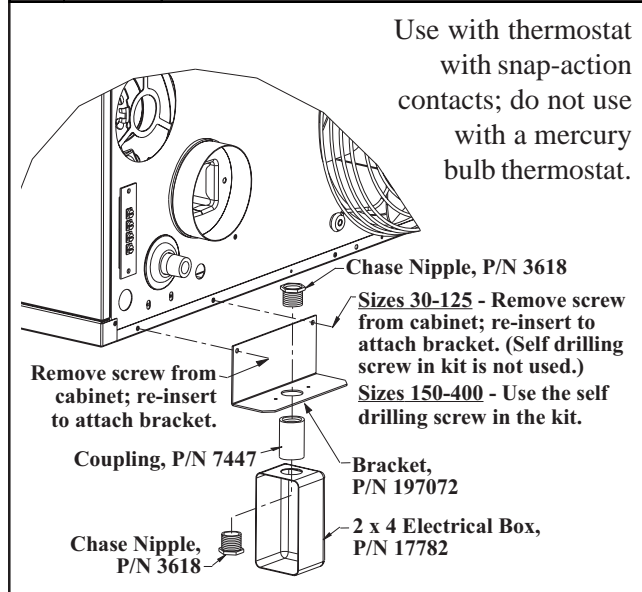
Pkg P/N 197156 for Each Additional (4 maximum) "non-controlling" Heater (Same as Option CL32)		
Qty	P/N	Description
1	197157	Relay Assemblies each consisting of one P/N 98118, RBM Relay (WR #134-20102-101), wired and mounted on a specially designed bracket.
1	195249	Self drilling screw for attaching relay bracket
1	16228	Cable Clamp 3/16"
1	197164	Wiring Diagram Label

Attach the relay assembly to the "control" unit and up to five additional units.



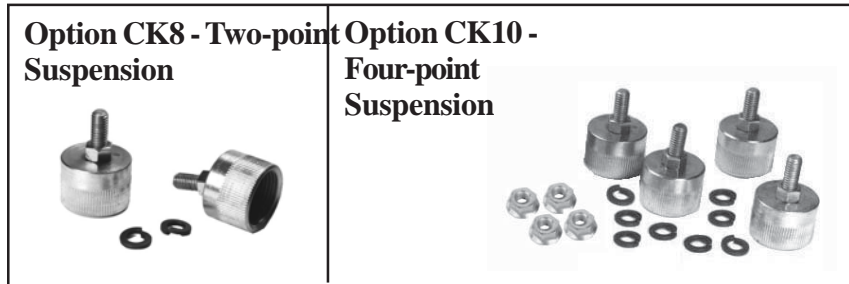
CODE 156, Unit-Mounted Thermostat Bracket Kit

Pkg P/N 197077 (Same as Option CM3)		
Qty	P/N	Description
1	17782	2x4 Electrical Box
1	7447	1/2" Coupling Conduit Connector
2	3618	1/2" Chase Nipple
1	197072	Bracket
1	195249	Self Drilling Screw



Accessories/Options (cont'd)

CODE 159 - Hanger Kits (Same as Options CK8 and CK10)

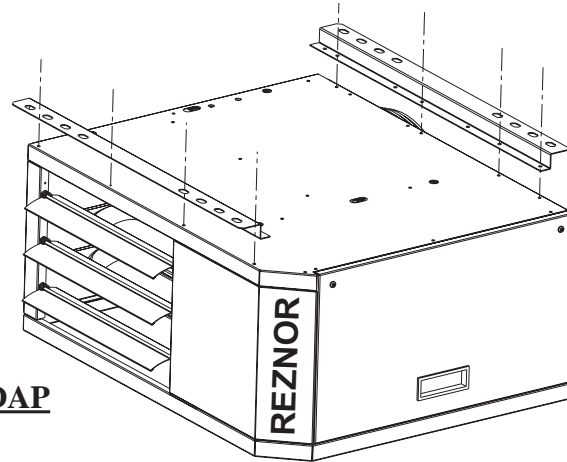


Size	All
Option CK8 Pkg P/N	98509
Swivel Connector Assembly	(2) 17627
3/8" Lock Washer	(2) 5197
Option CK10 Pkg P/N	98511
Swivel Connector Assembly	(4) 17627
3/8" Lock Washer	(8) 5197
3/8" Hex Nuts	(4) 1438

CODE 160 - Ceiling Suspension Kit for Model UDAP and UDAS Sizes 30-125 (Same as Option CK22)

Attach ceiling brackets to top, across front and rear of the heater. Use cabinet screws and screw from kit.

Models UDAP & UDAS	30, 45, 60, 75, 100, 125
Option CK22 Pkg P/N	197094
Suspension Angle	(2) 195496
Sheetmetal Screw	(1) 195638



Applies only to Models UDAP and UDAS, Sizes 30-125

CODE 161 - Manual Shutoff Valve (Same as Option CE1)



Description	30, 45, 60, 75, 100, 125, 150, 175, 200	225, 250, 300, 350, 400
Option Pkg P/N	15971	15972
Manual Shutoff Ball Valve	196910, 1/2"	196911, 3/4"
Union	1224, 1/2"	1101, 3/4"

Thomas & Betts

(800) 695-1901; www.RezSpec.com

©2005 Thomas & Betts Corporation, All rights reserved.
MANUFACTURER OF HEATING, COOLING, AND VENTILATING SYSTEMS

Trademark Note: Reznor®, TCore®, and V3® are trademarks of Thomas & Betts Corporation