

REPLACEMENT PARTS FOR UNIT HEATERS

MODEL UBX: STANDARD POWER VENT BLOWER TYPE
MODEL UBZ: SEPARATED-COMBUSTION BLOWER TYPE
MODEL UDX: STANDARD POWER VENT FAN TYPE
MODEL UDZ: SEPARATED-COMBUSTION FAN TYPE

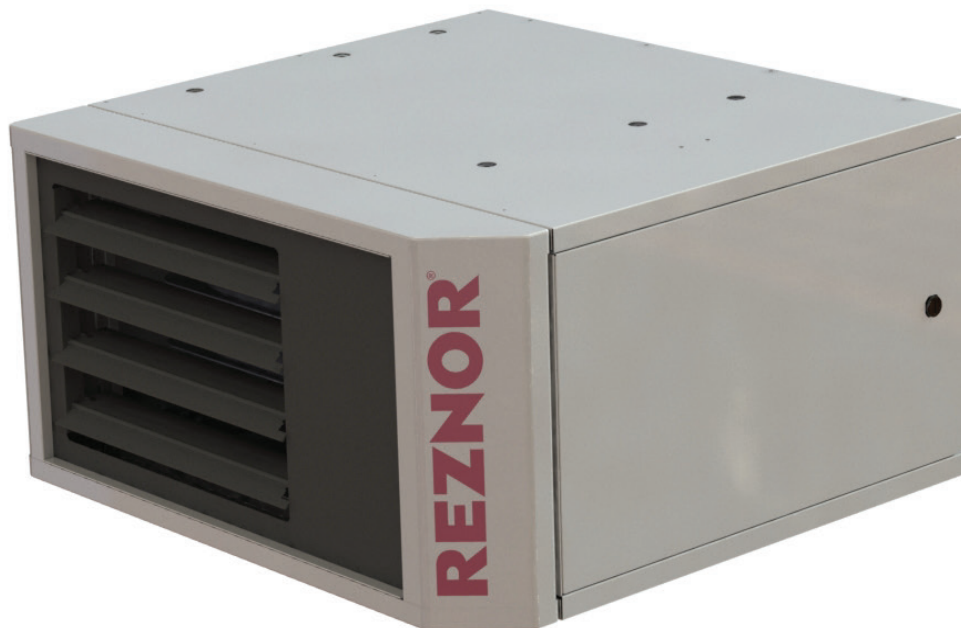


TABLE OF CONTENTS

WARRANTY	2
REFERENCES	2
SERIAL NUMBER	2
ELECTRICAL COMPONENTS	3
FAN AND MOTOR COMPONENTS	8
BLOWER COMPONENTS	9
CABINET COMPONENTS	18
VENTER AND FLUE WRAPPER COMPONENTS	21
HEAT EXCHANGER AND BURNER ASSEMBLY COMPONENTS	24
VENTING AND COMBUSTION AIR KIT COMPONENTS (MODELS UDZ AND UBZ)	27
ACCESSORIES/OPTIONS	28

IMPORTANT

1. Always include complete model and serial number so that any specification change can be considered for parts replacement. It can save time and expense.
2. In keeping with our policy of continuous product improvement, we reserve the right to alter any information shown here. Specifications are subject to change without notice.
3. We reserve the right to substitute functional replacements.
4. Order by Part Number (PN) not by option designation.

WARRANTY

- One-year limited warranty on the heater.
- Nine-year extended limited warranty on the heat exchanger, burner, and flue collection box assembly.
- Four-year extended limited warranty on all electrical and mechanical operating components (with the exception of blower belts).
- **Contact your Distributor for details.**

REFERENCES

Type	Form	PN*
Installation/operation/maintenance	UBX-UBZ-UDX-UDZ-IOM	1034344
Venting instructions	UBX-UDX-VENTING	1034631
	UBZ-UDZ-VENTING	1034632
Vertical louver kit installation	UBX-UBZ-UDX-UDZ-UEZ-CD1	1036173
Downturn nozzle kit installation	UBX-UBZ-UDX-UDZ-UEZ-CD2,3,4,5	1036421
Duct flange kit installation	UBX-UBZ-CD9	1036171
Polytube adapter kit installation	UBX-UBZ-CD11	1036422
Ceiling suspension kit installation	UDX-UDZ-CK22	1037006
Gas conversion kit installation	UBX-UBZ-UDX-UDZ-GC	1034364
Relay kits for multiple heater control	UBX-UBZ-UDX-UDZ-UEZ-CL31,32	1041279
Heat exchanger gasket kit installation	UBX-UBZ-UDX-UDZ-UEZ-HX	1037154

*Also available at www.reznorhvac.com.

SERIAL NUMBER

NOTE: The serial number is located on the unit's rating plate.

Decode serial numbers as follows:

Serial number sample: **BOG 3062 00000**
Elements key number: **1 | 2 | 3**

Key:

- 1 = Date code (refer to Table 2)**
- 2 = Plant of manufacture (3062 = Monterrey)**
- 3 = Consecutive number**

Year	Month											
	JAN	FEB	MAR	APR	MAY	JUN	JUL	AUG	SEP	OCT	NOV	DEC
2021	BUA	BUB	BUC	BUD	BUE	BUF	BUG	BUH	BUI	BUJ	BUK	BUL
2022	BVA	BVB	BVC	BVD	BVE	BVF	BVG	BVH	BVI	BVJ	BVK	BVL
2023	BWA	BWB	BWC	BWD	BWE	BWF	BWG	BWH	BWI	BWJ	BWK	BWL
2024	BXA	BXB	BXC	BXD	BXE	BXF	BXG	BXH	BXI	BXJ	BXK	BXL
2025	BYA	BYB	BYC	BYD	BYE	BYF	BYG	BYH	BYI	BYJ	BYK	BYL
2026	BZA	BZB	BZC	BZD	BZE	BZF	BZG	BZH	BZI	BZJ	BZK	BZL
2027	CAA	CAB	CAC	CAD	CAE	CAF	CAG	CAH	CAI	CAJ	CAK	CAL
2028	CBA	CBB	CBC	CBD	CBE	CBF	CBG	CBH	CBI	CBJ	CBK	CBL
2029	CCA	CCB	CCC	CCD	CCE	CCF	CCG	CCH	CCI	CCJ	CCK	CCL
2030	CDA	CDB	CDC	CDD	CDE	CDF	CDG	CDH	CDI	CDJ	CDK	CDL
2031	CEA	CEB	CEC	CED	CEE	CEF	CEG	CEH	CEI	CEJ	CEK	CEL
2032	CFA	CFB	CFC	CFD	CFE	CFF	CFG	CFH	CFI	CFJ	CFK	CFL
2033	CGA	CGB	CGC	CGD	CGE	CGF	CGG	CGH	CGI	CGJ	CGK	CGL
2034	CHA	CHB	CHC	CHD	CHE	CHF	CHG	CHH	CHI	CHJ	CHK	CHL
2035	CIA	CIB	CIC	CID	CIE	CIF	CIG	CIH	CII	CIJ	CIK	CIL

ELECTRICAL COMPONENTS

NOTES:

- To connect supply wires and access the disconnect switch (item 20), remove the cover (item 18) from the electrical box.
- The color listed for the flame rollout switch (item 4) is the color of the identifying dot on the label.
- The control module fuses (item 7A) may be replaced with field-supplied type ATC or ATO 3-amp fuse (color code: violet).

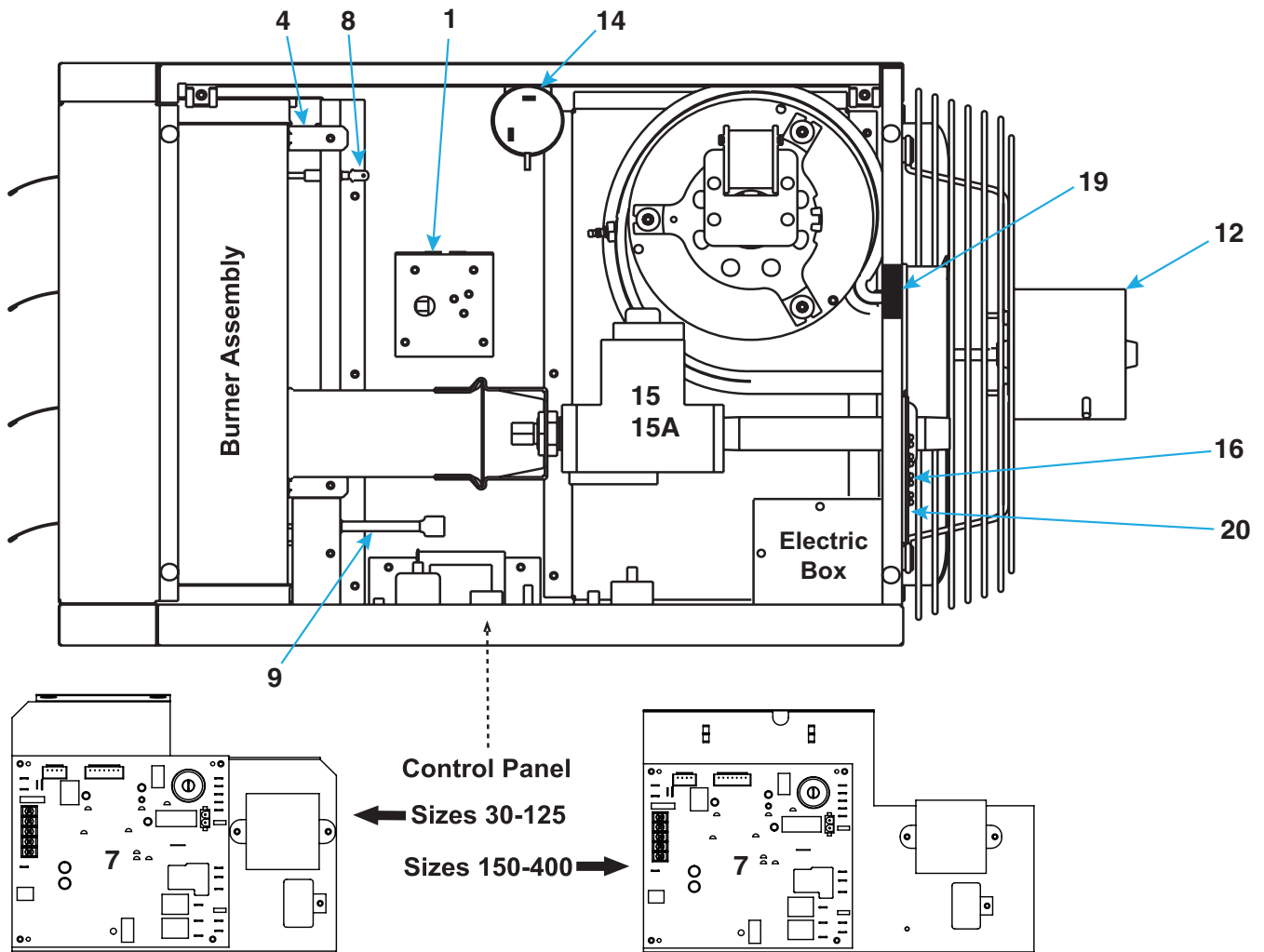


Figure 1. Typical Control Compartment (Refer to [Table 3](#) and [Table 4](#))

ELECTRICAL COMPONENTS—CONTINUED

Table 3. Electrical Components (Unit Sizes 030–125)										
Item No.	Component	Description	Model	Unit Size						
				030	045	060	075	100	125	
				PN						
1	Limit control	High temperature, auto reset*	UBX, UBZ	96512	201961	82091	85449	96512	201961	
			UDX, UDZ	96512	085449	45602		45602	085449	
2	Plate	Limit control	All	170025		170025		170025		
3	Bracket	Limit control	UBX, UBZ	201771		201771		201771		
			UDX, UDZ	170026		170026		170026		
4	Flame rollout switch, manual reset	210°F/–31°F, violet	UDX, UDZ	197033	—	—		—		
		225°F/–31°F, red		—	196949	196949		—		
		250°F/–31°F, yellow		—		—		196950		
5	Bracket	Control mounting	All	195551		195551		195551		
6	Gasket	Control mounting bracket		195664		195664		195664		
7	Circuit board	DSI control module	All	1033741		1033741		1033741		
7A	Fuse	Circuit board	All	201685		201685		201685		
8	Sensor	Flame		195292		195292		195292		
9	Ignitor	Electrode assembly		1024503		1024503		175272		
10	Transformer	25VA, 115V	UDX, UDZ	175265		175265		175265		
		40 VA, 115V (option CL31)		194808		194808		194808		
		40 VA, 208–230V/1PH (option CL31)		194536		194536		194536		
11	Stepdown transformer	Refer to Table 5								
12	Fan motor*	115V, open	UDX, UDZ	196240	196241	196241	196242	196243	196244	
		115V, TEFC (option AL14)		203310		203310		203724		
13	Capacitor, fan motor	Refer to Table 7								
14	Pressure switch	0–6000 feet	UBX	1034349	1034477	196388	197030	197030		
			UBZ		197031	197029	196388	197030	197032	
			UDX		197030		197031	197032	196388	1034237
			UDZ		197028		—		197078	
		>6000 feet	UBX	1034477		1034349	197030	197030	197032	197028
			UBZ	1034477	1034349					
			UDX	1034349	197031					
			UDZ	197031						
15	Gas valve, single-stage, 1/2 × 1/2	Natural gas, MH #VR8215T1239	All	260603		260603		260603		
		Propane, MH #VR8215T5214		263999		263999		263999		
15A	Gas valve, two-stage, 1/2 × 1/2	Natural gas, MH #VR8205N2921	All	—		197066		197066		
		Propane, MH #VR8205N2913		—		197064		197064		
16	Terminal board	24V, 5-pole	All	196813		196813		196813		
17	Gasket	Terminal board	UDZ, UBZ	196327		196327		196327		
18	Cover	Electrical box		201945		201945		201945		
19	Switch	Door, interlock, Carling #TA22B-TLB-B		217262		217262		217262		
20		Disconnect		101902		101902		101902		
21	Harness	Wiring, 9-pin		All	1033745		1033746		1033747	

*For spacing, refer to [Table 6](#).

Table 4. Electrical Components (Unit Sizes 150–400)																	
Item No.	Component	Description	Model	Unit Size													
				150	175	200	225	250	300	350	400						
				PN													
1	Limit control	High temperature, auto reset*	UBX	82091	202048	210961	82091	82091	201962	202048	85449						
			UBZ			202048											
			UDX			45602						82091	45602	082091	100799	100799	082091
			UDZ														
2	Plate	Limit control	All	170025		170025		170025		170025							

Table 4. Electrical Components (Unit Sizes 150–400)—Continued

Item No.	Component	Description	Model	Unit Size							
				150	175	200	225	250	300	350	400
				PN							
3	Bracket	Limit control	UBX, UBZ	170026	201771	201771	170026	170026	202701	202701	
			UDX, UDZ	170026		170026		170026		170026	
4	Flame rollout switch		Refer to Table 3								
5	Bracket	Control mounting	UDX, UDZ	195294		195294		195294		195294	
			UBX	202736		202736		202736		202736	
			UBZ	195294		195294		195294		195294	
6	Gasket	Control mounting bracket	All	195669		195669		195669		195669	
7	Circuit board	DSI control module	All	1033741		1033741		1033741		1033741	
7A	Fuse	Circuit board	All	201685		201685		201685		201685	
8	Sensor	Flame		195292		195292		195292		195292	
9	Ignitor	Electrode assembly		175272		175272		175272		175272	
10	Transformer	25VA, 115V	UDX, UDZ	175265		175265		175265		175265	
		40VA, 115V (option CL31)		194808		194808		194808		194808	
		40VA, 208–230V/1PH	All	194536		194536		194536		194536	
		40VA, 208–230V/3PH	UBX, UBZ	194536		194536		194536		194536	
11	Stepdown transformer	Located on outside of heater cabinet	UBX, UBZ	11100		11100		11100		11100	
		350VA, 208–230V		202056		202056		202056		202056	
				257302		257302		257302		257302	
12	Fan motor*	115V, open	UDX, UDZ	196245		271461		271461	196247	196247	
		115V, TEFC (option AL14)		196824		196824		196824	196825	196825	
13	Capacitor, fan motor	115V, 7.5µF (option AL14)	All	195643		195643		195643	—	—	
		115V, 10µF		207448		207448		207448	—	—	
		115V, 15µF (option AL14)		—		—		—	217031	217031	
14	Pressure switch	0–6000 feet	UBX	197031	197030		201158	201158		201158	273553
			UBZ	197030		201161				201161	
			UDX	197031	197030	201158					
			UDZ			201158	201161	273360	201161		
		>6000 feet	UBX, UDX	1034349	197031	201160		201160		201160	
			UBZ							273555	273553
UDZ	201160	273553									
15	Gas valve, single-stage, 1/2 × 1/2	Natural gas, MH #VR8215T1239	All	260603		260603	—	—		—	
		Propane, MH #VR8215T5214		263999		263999	—	—		—	
	Gas valve, single-stage, 3/4 × 3/4	Natural gas, MH #VR8305K4241		—		—	196981	196981		196981	
		Propane, MH #VR8305K4258		—		—	196983	196983		196983	
15A	Gas valve, two-stage, 1/2 × 1/2	Natural gas, MH #VR8205N2921	All	197066		197066	—	—		—	
		Propane, MH #VR8205N2913		197064		197064	—	—		—	
	Gas valve, two-stage, 3/4 × 3/4	Natural gas, MH #VR8305N4297		—		—	197067	197067		197067	
		Propane, MH #VR8305N4289		—		—	197065	197065		197065	
16	Terminal board	24V, 5-pole	All	196813		196813		196813		196813	
17	Gasket	Terminal board		196327		196327		196327		196327	
18	Cover	Electrical box		201945		201945		201945		201945	
19	Switch	Door, interlock, Carling #TA22B-TLB-B		UBZ, UDZ	217262		217262		217262		217262
20		Disconnect	101902		101902		101902		101902		
21	Harness	Wiring, 9-pin	All	1033748		1033748	1033749	1033749	1033750	1033750	

*For spacing, refer to [Table 6](#).

ELECTRICAL COMPONENTS—CONTINUED


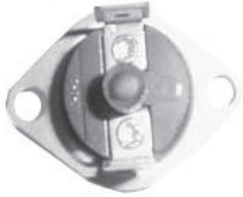

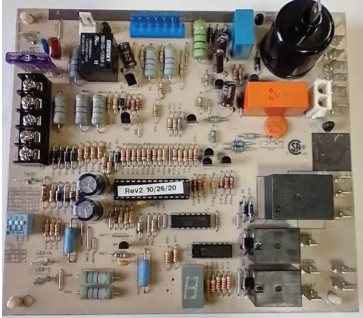


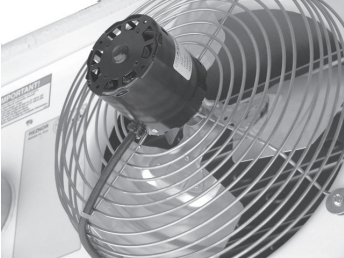

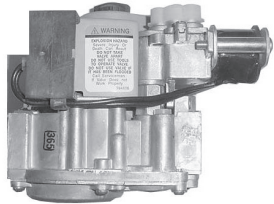



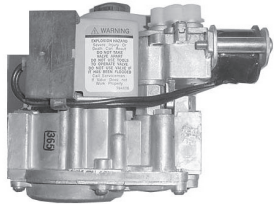



<p>Item 1: High Temperature Limit Control, Auto Reset</p> <p>Item 2: Bracket</p> <p>Item 3: Plate</p>		<p>Item 4: Flame Rollout Switch, Manual Reset</p>	
<p>Item 7: Circuit Board</p>	<p>Item 8: Flame Sensor</p>	<p>Item 10: Transformer</p>	
	<p>Item 9: Ignitor</p>	<p>Item 11: Stepdown Transformer</p>	  <p>350VA</p>
<p>Item 12: Fan Motor</p>		<p>Item 13: Fan Motor Capacitor</p>	
<p>Item 14: Pressure Switch</p>	<p>Item 15: Gas Valve</p>		
	  <p>Single-Stage</p>	 <p>Two-Stage</p>	
<p>Item 16: Terminal Board</p>	<p>Item 19: Interlock Door Switch</p>	<p>Item 20: Disconnect Switch</p>	
			

Figure 2. Individual Electrical Components (See Locations in [Figure 1](#))

Table 5. Stepdown Transformer Kit (Option CG1, CG2, or CG4) Components

Component	Model	Option*	Unit Size							
			030	045	060, 075	100	125	150, 175, 200	225, 250	300, 350, 400
			PN							
Stepdown transformer kit package	UBX, UBZ	CG1	260924		260925		260926		—	
		CG2, CG4	202976		202977		202978		—	
	UDX, UDZ	CG1	260919		260920		260921		260922	260923
		CG2, CG4	197150		197151		197152		197153	197154
Transformer, 0.25kVA	UDX, UDZ	CG1	260927				—			
		CG2, CG4	11279							
Transformer, 0.5kVA	UBX, UBZ	CG1	260928				—			
		CG2, CG4	11100							
	UDX, UDZ	CG1	—		260928				—	
		CG2, CG4	—		11100					
Transformer, 0.75kVA	UDX, UDZ	CG1			—		260929		—	
		CG2, CG4					11217			
Transformer, 1kVA	UBX, UBZ	CG1	—		223462			—		
		CG2, CG4	—		16065					
	UDX, UDZ	CG1			—			223462	—	
		CG2, CG4						16065		
Transformer, 1.5kVA	UDX, UDZ	CG1			—				260930	
		CG2, CG4							197085	
Transformer, 2kVA	UBX, UBZ	CG1			—		260931		—	
		CG2, CG4					202979			
Common Parts										
Bracket, transformer	UBX, UBZ	All	197079				—			
	UDX, UDZ		197079				197080			
Gasket, transformer bracket	UBX, UBZ		236155				—			
	UDX, UDZ		236155							
Capscrew, hex head, 3/8 x 1 long	UDX, UDZ		32253							
Lockwasher, 3/8			5197							
Flat washer, 3/8			6593							
BX cable, 3/8	UBX, UBZ		45097	174394	63292	—				
	UDX, UDZ		45097	174394	63292	10460	201465			
Black wire, 14-gauge, 105°C	UBX, UBZ		32520	7208	123150	—				
	UDX, UDZ		32520	7208	123150	48862	201466			
White wire, 14-gauge, 105°C	UBX, UBZ		201243	201242	123152	—				
	UDX, UDZ		201243	201242	123152	48861	201467			
Green wire 14-gauge, 105°C	UBX, UBZ		201241	201240	201468	—				
	UDX, UDZ		201241	201240	201468	201462	201469			
Bushing, anti-short (quantity = 2)	UBX, UBZ		16358				—			
	UDX, UDZ		16358							
Connector, straight (T&B #302)	UBX, UBZ		16202				—			
Connector, straight	UDX, UDZ		16199							
Connector, 90-degree (T&B #XC-290)	UBX, UBZ		1417				—			
	UDX, UDZ		1417							

*Option CG1 is for 208V supply 120V, option CG2 is for 230V supply 120V, and option CG4 is for 460V supply 120V.

ELECTRICAL COMPONENTS—CONTINUED

Table 5. Stepdown Transformer Kit (Option CG1, CG2, or CG4) Components—Continued										
Component	Model	Option*	Unit Size							
			030	045	060, 075	100	125	150, 175, 200	225, 250	300, 350, 400
PN										
Common Parts—Continued										
Cable clamp, 1/2 (Heyco #3328)	UBX, UBZ	All	16227					—		
	UDX, UDZ		16227							
Screw, sheet metal, #10 × 1/2 (quantity = 3)	UBX, UBZ		11813					—		
	UDX, UDZ		11813							
Wire connector, 73B (Ideal #3-0253, quantity = 10)	UBX, UBZ		16354					—		
	UDX, UDZ		16354							

*Option CG1 is for 208V supply 120V, option CG2 is for 230V supply 120V, and option CG4 is for 460V supply 120V.

FAN AND MOTOR COMPONENTS

Table 6. Fan Blade/Motor Spacing and Fan Guard Type			
Unit Size	Wire Fan Guard Type		Setscrew Torque (inch-pounds ±10)
	Standard Guard (0.5-Inch (13-mm) Spacing)	Option AZ8 Guard (0.334-Inch (8.5-mm) Spacing)	
	Dimension A (Inches (mm))*		
030	1 (25)		80
045	9/16 (14)	1-1/16 (27)	
060	1-1/2 (38)	1-3/4 (44)	
075	2-1/8 (54)	1-1/2 (38)	
100	2-3/8 (60)		120
125	2-5/16 (59)	2-1/8 (54)	
150	2-3/8 (60)	—	130
175	2-1/8 (54)		
200	1-5/8 (41)		
225, 250, 300	2 (51)		
350	1-7/8 (48)		
400	1-3/8 (35)		

*See Figure 3.

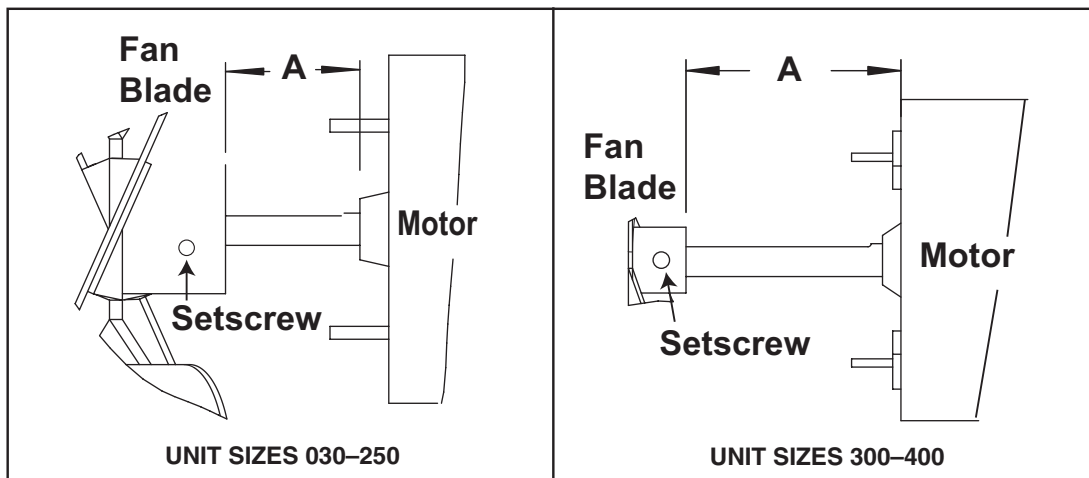


Figure 3. Fan Spacing

BLOWER COMPONENTS

NOTE: Motors that don't list a contactor in Table 8 or Table 9 require a starter. If a contactor is listed, the starter is optional.

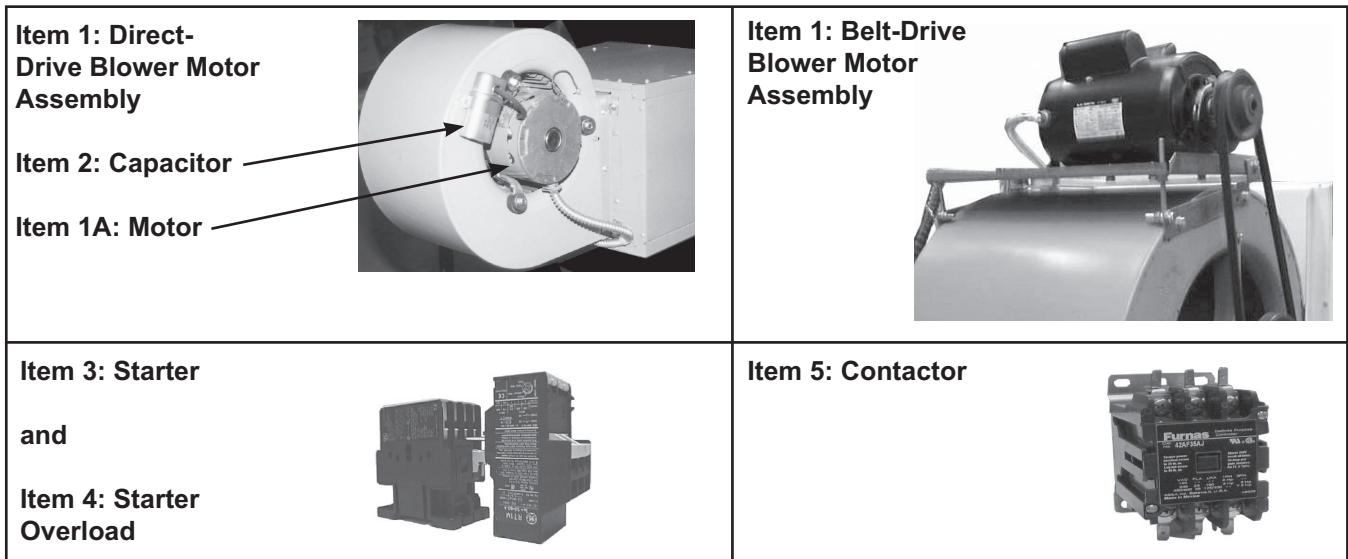


Figure 4. Individual Blower Components (Refer to Table 7, Table 8, and Table 9)

Table 7. Direct-Drive Blower Motor Assembly Components (Unit Sizes 030–125)								
Item No.	Component	Description	Unit Size					
			030	045	060	075	100	125
PN								
1	Motor assembly	Direct-drive	202731		202732		202733	
1A	Motor	1/6-HP	201760		—			
		1/3-HP	—		201761		—	
		3/4-HP	—		—		201762	
1B	Motor band	51221						
1C	Support arm	51223 (quantity = 3)				220629 (quantity = 3)		
1D	Capscrew, hex head	1/4-20 × 1-1/2 long	51231					
1E	Nut, keps	1/4-20	7328					
1F	BX cable	3/8 × 30 long	2889				—	
		3/8 × 43 long	—				174387	
1G	Bushing	Anti-short	16358 (quantity = 2)					
2	Capacitor	370V, 5µF	101917		—			
		370V, 7.5µF	—		101918		—	
		370V, 15µF	—		—		201763	
2A	End cap	Capacitor	82113					
2B	Bracket	Capacitor strap	82114					

BLOWER COMPONENTS—CONTINUED

Table 8. Open-Type Belt-Drive Blower Motor Assembly (Unit Sizes 150–400)

		Item 1A: Motor					Item 3: Starter			Item 4: Starter Overload				Item 5: Contactor				
HP	Full Load Amps (FLA)	Manufacturer's Model	Frame Size	Shaft Size (Inches)	Service Factor	Power Factor	Efficiency	Voltage/Phase	PN	GE Model	PN	Min Amps	Max Amps	GE Model	PN	GE Model	PN	
1/4	4.6	BF2024	48/56	1/2	1.35	63	59.0%	120/1	210611	CL00A310T-J	151146	4.00	6.30	RTA1-L	151191	42AF35AF	119626	
	208/1							CL00A310T-L		151150	1.80	2.70	RTA1-J	151189	42AF35AG	119627		
	2.3	M3003	K48		240/1	1.35	72	74.0%	208/3	115864	CL00A310T-L	151147	1.00	1.50	RTA1-G	151187	—	—
	1.1				240/3				115864	CL00A310T-S	151147	0.65	1.10	RTA1-F	151186	—	—	
	1.4				480/3				115864	CL00A310T-J	151146	4.00	6.30	RTA1-L	151191	42AF35AF	119626	
0.75	6.0	BF2034	48/56	120/1	1.35	—	208/1	202091	CL00A310T-L	151150	2.50	4.10	RTA1-K	151190	42AF35AG	119627		
3.0	240/1			CL00A310T-S			151147	—	—	—	—	—						
1/3	1.4	M3007	K48	208/3	1.15	—	79.0%	208/3	115863	CL00A310T-L	151150	1.80	2.70	RTA1-J	151189	—	—	
	1.6			240/3				115863	CL00A310T-S	151147	1.30	1.90	RTA1-H	151188	—	—		
	0.8			480/3				115863	CL00A310T-J	151146	0.65	1.10	RTA1-F	151186	—	—		
	8.8			120/1				102627	CL00A310T-J	151146	8.00	12.00	RTA1-N	151193	42AF35AF	119626		
	5.1			208/1				240/1	CL00A310T-L	151150	4.00	6.30	RTA1-L	151191	42AF35AG	119627		
4.4	240/1	CL00A310T-S	151147	—	—	—	—	—										
1/2	2.5	H880	LA56	208/3	1.25	—	82.5%	208/3	159183	CL00A310T-L	151150	1.80	2.70	RTA1-J	151189	—	—	
	3.0			240/3				159183	CL00A310T-S	151147	2.50	4.10	RTA1-K	151190	—	—		
	1.5			480/3				202089	CL00A310T-J	151146	1.30	1.90	RTA1-H	151188	42AF35AF	119626		
	0.9			575/3				202089	CL00A310T-J	151146	0.65	1.10	RTA1-F	151186	—	—		
	11.0			120/1				93548	CL01A310T-J	151151	10.00	16.00	RTA1-P	151194	42AF35AF	119626		
3/4	5.5	AOS-C426V1	B56	208/1	1.25	—	79.0%	208/1	36951	CL00A310T-L	151150	4.00	6.30	RTA1-L	151191	42AF35AG	119627	
	5.4			240/1				36951	CL00A310T-S	151147	2.50	4.10	RTA1-K	151190	—	—		
	2.9			208/3				36951	CL00A310T-L	151150	5.50	8.50	RTA1-M	151192	42AF35AG	119627		
	2.6			240/3				36951	CL00A310T-S	151147	2.50	4.10	RTA1-K	151190	—	—		
	1.3			480/3				202090	CL00A310T-J	151146	1.00	1.50	RTA1-G	151187	42AF35AF	119626		
1	1.0	H992	H56	575/3	1.25	—	82.5%	575/3	202090	CL00A310T-J	151146	0.65	1.10	RTA1-F	151186	—	—	
	13.0			120/1				13685	CL01A310T-J	151151	10.00	16.00	RTA1-P	151194	42AF35AF	119626		
	7.5			208/1				13685	CL00A310T-L	151150	5.50	8.50	RTA1-M	151192	42AF35AG	119627		
	6.5			240/1				13685	CL00A310T-S	151147	2.50	4.10	RTA1-K	151190	—	—		
	3.4			208/3				36580	CL00A310T-L	151150	2.50	4.10	RTA1-K	151190	42AF35AG	119627		
1	3.7	AOS-H882L	56H	240/3	1.15	—	82.5%	240/3	36580	CL00A310T-S	151147	1.80	2.70	RTA1-J	151189	42AF35AF	119626	
	2.0			480/3				36580	CL00A310T-J	151146	1.00	1.50	RTA1-G	151187	—	—		
	1.4			575/3				158175	CL00A310T-J	151146	1.00	1.50	RTA1-G	151187	—	—		

Table 8. Open-Type Belt-Drive Blower Motor Assembly (Unit Sizes 150-400)—Continued																		
Item 1A: Motor																		
HP	Full Load Amps (FLA)	Manufacturer's Model	Frame Size	Shaft Size (Inches)	Service Factor	Power Factor	Efficiency	Voltage/Phase	PN	Item 3: Starter			Item 4: Starter Overload			Item 5: Contactor		
										GE Model	PN	Min Amps	Max Amps	GE Model	PN	GE Model	PN	
1.5	15.0	C621	56	5/8	1.2	86.4	77.2%	120/1	194202	CL02A310T-J	151156	10.00	16.00	RTA1-P	151194	42AF35AF	119626	
	7.8							208/1		CL00A310T-L	151150	5.50	8.50	RTA1-M	151192	42AF35AG	119627	
	7.5							240/1		CL00A310T-S	151147	4.00	6.30	RTA1-L	151191			
	5.6	AOS-H884L	UA56	1.15	66.4	78.6%	208/3	115859	CL00A310T-L	151150	2.50	4.10	RTA1-K	151190	42AF35AF	119626		
	5.0						240/3		CL00A310T-S	151147	1.80	2.70	RTA1-J	151189	—	—		
	2.8						480/3		CL00A310T-J	151146	21.00	26.00	RTA1-U	151197	42AF35AF	119626		
2	24.6	AOS-RB1204AV1	56H	5/8	1	—	120/1	202581	CL04A310M-J	151165	10.00	16.00	RTA1-P	151194	42AF35AG	119627		
	12.3						208/1		CL01A310T-L	151155	5.50	8.50	RTA1-M	151192				
	7.0						240/1		CL01A310T-S	151152	2.50	4.10	RTA1-K	151190	42AF35AF	119626		
	6.6	AOS-H886	56HZ	7/8	1.15	67	79.0%	208/3	159327	CL00A310T-L	151150	2.50	4.10	RTA1-K	151190	42AF35AF	119626	
	3.5							240/3		CL00A310T-S	151147	1.80	2.70	RTA1-J	151189	—	—	
	2.6							480/3		CL00A310T-J	151146	10.00	16.00	RTA1-P	151194			
3	2.6	AOS-H965V1	L56	5/8	86	84.0%	575/3	158176	CL00A310T-J	151146	8.00	12.00	RTA1-N	151193	42AF35AG	119627		
	13.7	AOS-B735	L56				208/1	111560	208/3	80.3%	CL02A310T-L	151159	4.00	6.30	RTA1-L	151191	42AF35AF	119626
	12.4						240/1		CL01A310T-S		151152	2.50	4.10	RTA1-K	151190	—	—	
	9.0			AOS-H845	P56Z	208/3	159185		240/3		—	CL00A310T-L	151150	8.00	12.00	RTA1-N	151193	42AF35AG
	8.6	240/3	CL00A310T-S			151147		4.00	6.30	RTA1-L		151191	42AF35AF	119626				
	4.3	480/3	CL00A310T-J			151146		2.50	4.10	RTA1-K		151190	—	—				
5	3.6	AOS-H954	N56Z	7/8	1.15	80.3	575/3	120019	CL00A310T-J	151146	10.00	16.00	RTA1-P	151194	—	—		
	13.4	AOS-196033J	Y56HZ				208/3	113371	208/3	85.0%	CL01A310T-L	151155	5.50	8.50			RTA1-M	151192
	13.2						240/3		CL01A310T-S		151152	4.00	6.30	RTA1-L	151191	42AF35AF	119626	
	6.6			480/3	CL00A310T-J	151146	2.50		4.10		RTA1-K	151190	—	—				
	5.4	AOS-H956		7/8	85.9	85.3%	575/3	120020	CL00A310T-J	151146	4.00	6.30	RTA1-L	151191	—	—		

BLOWER COMPONENTS—CONTINUED

Table 9. TEFC-Type Belt-Drive Blower Motor Assembly Components (Unit Sizes 150–400)																	
Item 1A: Motor																	
HP	Full Load Amps (FLA)	Manufacturer's Model	Frame Size	Shaft Size (Inches)	Service Factor	Power Factor	Efficiency	Voltage/Phase	PN	Item 3: Starter			Item 4: Starter Overload			Item 5: Contactor	
										GE Model	PN	Min Amps	Max Amps	GE Model	PN	GE Model	PN
1/4	3.8	Regal Beloit C664	H56	5/8	1	—	—	120/1	16074	CL00A310T-J	151146	2.50	2.50	RTA1-K	151190	42AF35AF	119626
	208/1							CL00A310T-L		151150	1.90	2.70	RTA1-J	151189			
	240/1							CL00A310T-S		151147	1.00	1.50	RTA1-G	151187	42AF35AG	119627	
1/3	1.1	USMTR T1452A	56	1	61.9	72.1%	208/3	271443*	CL00A310T-L	151150	1.00	1.90	RTA1-G	151187			
	240/3						CL00A310T-S		151147	0.40	0.65	RTA1-D	151184	42AF35AF	119626		
	480/3						CL00A310T-J		151146	4.00	6.30	RTA1-L	151191				
1/2	0.5	AOS-906L	N48	1/2	1	68.5	72.1%	120/1	115861	CL00A310T-J	151146	1.80	2.70	RTA1-J	151189	42AF35AG	119627
	208/1							CL00A310T-L		151150	1.00	1.50	RTA1-G	151187			
	240/1							CL00A310T-S		151147	0.40	0.65	RTA1-D	151184	42AF35AF	119626	
1/2	2.3	AOS-C151	L48	1.15	—	79.5%	208/3	105567	CL00A310T-L	151150	2.50	4.10	RTA1-K	151190	42AF35AG	119627	
	240/3						CL00A310T-S		151147	1.80	2.70	RTA1-J	151189				
	480/3						CL00A310T-J		151146	0.65	1.10	RTA1-F	151186	42AF35AF	119626		
3/4	0.6	AOS-H261	J56	1.15	—	74.8%	120/1	159184	CL00A310T-J	151146	10.00	16.00	RTA1-P	151194	42AF35AF	119626	
	208/1						CL00A310T-L		151150	4.00	6.30	RTA1-L	151191				
	240/1						CL00A310T-S		151147	1.80	2.70	RTA1-J	151189	42AF35AG	119627		
1	7.2	AOS-C613	H56	5/8	1	59.5	74.8%	208/3	16077	CL00A310T-L	151150	1.80	2.70	RTA1-J	151189	42AF35AG	119627
	240/3							CL00A310T-S		151147	0.65	1.10	RTA1-F	151186	42AF35AF	119626	
	480/3							CL00A310T-J		151146	10.00	16.00	RTA1-P	151194	42AF35AF	119626	
1	2.0	AOS-H274	H56	1.15	76.4	77.0%	120/1	105568	CL01A310T-J	151151	10.00	16.00	RTA1-P	151194	42AF35AF	119626	
	208/1						CL00A310T-L		151150	4.00	6.30	RTA1-L	151191				
	240/1						CL00A310T-S		151147	1.80	2.70	RTA1-J	151189	42AF35AG	119627		
1	1.0	AOS-H276	J56	1.15	66	65.7%	120/1	115860	CL01A310T-J	151151	10.00	16.00	RTA1-P	151194	42AF35AF	119626	
	208/1						CL00A310T-L		151150	4.00	6.30	RTA1-L	151191				
	240/1						CL00A310T-S		151147	1.80	2.70	RTA1-J	151189	42AF35AG	119627		
1	2.0	AOS-H580	KA56	1.15	73.5	81.1%	208/3	20371	CL00A310T-L	151150	1.80	2.70	RTA1-J	151189	42AF35AG	119627	
	240/3						CL00A310T-S		151147	1.00	1.50	RTA1-G	151187	42AF35AF	119626		
	480/3						CL00A310T-J		151146	0.65	1.10	RTA1-F	151186	42AF35AF	119626		
1	1.1	AOS-H461	L56	1.15	78.3	82.0%	120/1	105569	CL00A310T-J	151146	10.00	16.00	RTA1-P	151194	42AF35AF	119626	
	208/1						CL01A310T-J		151151	4.00	6.30	RTA1-L	151191				
	240/1						CL00A310T-L		151150	5.50	8.50	RTA1-M	151192	42AF35AG	119627		
1	6.2	AOS-159105	L56	1.15	74.3	70.6%	120/1	174993	CL01A310T-J	151151	10.00	16.00	RTA1-P	151194	42AF35AF	119626	
	208/1						CL00A310T-L		151150	4.00	6.30	RTA1-L	151191				
	240/1						CL00A310T-S		151147	1.80	2.70	RTA1-J	151189	42AF35AG	119627		
1	6.0	WEG-00118E	D56	1	74.4	80.2%	208/3	271444*	CL00A310T-L	151150	2.50	4.10	RTA1-K	151190	42AF35AG	119627	
	240/3						CL00A310T-S		151147	1.30	1.90	RTA1-H	151188	42AF35AF	119626		
	480/3						CL00A310T-J		151146	1.00	1.50	RTA1-G	151187	42AF35AF	119626		
1	3.3	AOS-H525	56	1.15	71.6	80.4%	120/1	105570	CL00A310T-J	151146	10.00	16.00	RTA1-P	151194	42AF35AF	119626	
	208/1						CL01A310T-J		151151	4.00	6.30	RTA1-L	151191				
	240/1						CL00A310T-L		151150	5.50	8.50	RTA1-M	151192	42AF35AG	119627		
1	3.1	WEG-00118E	D56	1	74.4	80.2%	208/3	271444*	CL00A310T-L	151150	2.50	4.10	RTA1-K	151190	42AF35AG	119627	
	240/3						CL00A310T-S		151147	1.30	1.90	RTA1-H	151188	42AF35AF	119626		
	480/3						CL00A310T-J		151146	1.00	1.50	RTA1-G	151187	42AF35AF	119626		
1	1.6	AOS-H525	56	1.15	71.6	80.4%	120/1	105570	CL00A310T-J	151146	10.00	16.00	RTA1-P	151194	42AF35AF	119626	
	208/1						CL01A310T-J		151151	4.00	6.30	RTA1-L	151191				
	240/1						CL00A310T-L		151150	5.50	8.50	RTA1-M	151192	42AF35AG	119627		

Table 9. TEFC-Type Belt-Drive Blower Motor Assembly Components (Unit Sizes 150–400) — Continued

		Item 1A: Motor							Item 3: Starter				Item 4: Starter Overload				Item 5: Contactor	
HP	Full Load Amps (FLA)	Manufacturer's Model	Frame Size	Shaft Size (Inches)	Service Factor	Power Factor	Efficiency	Voltage/Phase	PN	GE Model	PN	Min Amps	Max Amps	GE Model	PN	GE Model	PN	
1.5	16.4	AOS-C686	TK56H	5/8	1	—		120/1	94347		CL02A310T-J	14.50	18.00	RTA1-S	151196	42AF35AF	119626	
	208/1							CL00A310T-L			8.00	12.00	RTA1-N	151193				
	240/1							CL00A310T-S			151147							
2	4.3	WEG-00158E	D56	7/8	1.15	80.9	82.4%	208/3	271445*		CL00A310T-L	4.00	6.30	RTA1-L	151191	42AF35AG	119627	
	240/3							CL00A310T-S			151147							
	480/3							CL00A310T-J			151146	1.80	2.70	RTA1-J	151189	42AF35AF	119626	
	575/3							CL00A310T-J			151146	1.30	1.90	RTA1-H	151188	—		
	7/8							CL00A310T-J			151146	1.30	1.90	RTA1-H	151188	—		
3	8.3	L3516M	56HZ	7/8	1.15	99	78.0%	240/1	205881		CL00A310T-I	5.50	8.50	RTA1-M	151192			
	208/3							CL00A310T-L			151150							
	240/3							CL00A310T-S			151147	4.00	6.30	RTA1-L	151191			
	480/3							CL00A310T-S			151147	2.50	4.10	RTA1-K	151190			
	575/3							CL00A310T-J			151146	1.80	2.70	RTA1-J	151189	—		
3	7.7	M3559T	145T	7/8	1.15	85.5	85.5%	208/3	159330		CL00A310T-L	5.50	8.50	RTA1-M	151192			
	240/3							CL00A310T-S			151147							
	480/3							CL00A310T-S			151147							
	575/3							CL00A310T-J			151146	2.50	4.10	RTA1-K	151190			
2.8	7.0	B-EM3559T-5	145T	7/8	1.15	85.5	85.5%	208/3	111571		CL00A310T-L	2.50	4.10	RTA1-M	151192			
	240/3							CL00A310T-S			151147							
2.8	3.5										2.50	4.10	RTA1-K	151190				

*Requires a starter. Consult the factory for a wiring diagram or serial number to determine the appropriate starter and overload.

*Requires a starter. Consult the factory for a wiring diagram or serial number to determine the appropriate starter and overload.

BLOWER COMPONENTS—CONTINUED

Table 10. Drives, Pulleys, and Belts for Open-Type Motors

HP	Motor Option	Voltage Option	Drive (AM/EM) Option	Motor Pulley			Blower Pulley*		Belt**		
				PN	Model	Bore Size (Inches)	PN	Model	PN (Length (Feet))		
1/4, 1/3	AL2, AL3	AK1, AK2, AK3, AK5, AK6, AK7	1, 2	4074	1VL34	1/2	111609	AK 99	201809 (3.8)		
			3, 4	13491	1VL40						
			5, 6, 7								
			8, 9, 10, 11, 12								
			13, 14, 15, 16, 17								
1/2, 3/4, 1, 1-1/2	AL4, AL5, AL6, AL7	AK1, AK2, AK3, AK5, AK6, AK7, AK8	1, 2	13580	1VL34	5/8	111609	AK 99			
			3, 4	7962	1VL40						
			5, 6, 7								
			8, 9, 10, 11, 12								
			13, 14, 15, 16, 17								
			18, 19, 20, 21, 22, 23,24, 25	105476	1VL44						
26, 27, 28, 29											
2	AL8	AK1, AK2, AK3, AK8	1, 2	13580	1VL34	5/8	111609	AK 99			
			3, 4	7962	1VL40						
			5, 6, 7								
			8, 9, 10, 11, 12								
			13, 14, 15, 16, 17								
			18, 19, 20, 21, 22, 23,24, 25	105476	1VL44						
26, 27, 28, 29, 30											
3	AL9	AK2, AK3	9, 10, 11, 12	7962	1VL40	7/8	111609	AK 99			
			13, 14, 15, 16, 17, 18, 19								
			20, 21, 22, 23, 24, 25, 26								
2	AL8	AK5, AK6, AK7	1, 2	110125	1VP34				7/8	111609	AK 99
			3, 4	106748	1VL40						
			5, 6, 7								
			8, 9, 10, 11, 12								
			13, 14, 15, 16, 17								
			18, 19, 20, 21, 22, 23,24, 25	106758	1VL44						
26, 27, 28, 29, 30											
3, 5	AL9, AL10	AK5, AK6, AK7, AK8	9, 10, 11, 12	106748	1VL40	7/8	101414	BK130			
			13, 14, 15, 16, 17								
			18, 19, 20, 21, 22	37451	1VM50				202654	BK105	
			23, 24, 25, 26, 27, 28, 29								
			30, 31, 32, 33, 34, 35, 36								
5	AL10	AK2, AK3	9, 10, 11, 12	7963	2VP42	1-1/8	30621	2AK124			
			13, 14, 15, 16, 17	111681	1VP50						
			18, 19, 20, 21, 22	161444	1VP56						
			23, 24, 25, 26, 27, 28, 29	111681	1VP50				202652	AK124	
			30, 31, 32, 33, 34, 35, 36								
19111	AK84										
105483	AK69										

*Bore size = 1 inch.

**Assume 17 belt links per foot. Belt PN 201809 is Fenner #0408030. Belt PN 202655 is Fenner #0408050.

Table 11. Drives, Pulleys, and Belts for TEFC-Type Motors

HP	Motor Option	Voltage Option	Drive (AM) Option	Motor Pulley			Blower Pulley*		Belt**		
				PN	Model	Bore Size (Inches)	PN	Model	PN (Length (Feet))		
1/3	AL20	AK1, AK2, AK3, AK5, AK6, AK7	1, 2	4074	1VL34	1/2	111609	AK 99	201809 (3.8)		
			3, 4	13491	1VL40		19111	AK 84			
			5, 6, 7				18797	AK 64			
			8, 9, 10, 11, 12				135200	AK 51			
			13, 14, 15, 16, 17								
1/4	AL19		1, 2	13580	1VL34	5/8	111609	AK 99			
			3, 4	7962	1VL40		19111	AK 84			
			5, 6, 7				18797	AK 64			
			8, 9, 10, 11, 12				135200	AK 51			
			13, 14, 15, 16, 17				206125	AK44			
18, 19, 20, 21, 22, 23, 24, 25	105476		1VL44	135201	AK39						
1/2, 3/4, 1	AL21, AL22, AL23		1, 2	13580	1VL34		7/8	111609		AK 99	
			3, 4	7962	1VL40			19111		AK 84	
			5, 6, 7					18797		AK 64	
			8, 9, 10, 11, 12					135200		AK 51	
		13, 14, 15, 16, 17									
1-1/2	AL24	AK1, AK2, AK3, AK5, AK6, AK7	1, 2	13580	1VL34			7/8	111609	AK 99	
			3, 4	7962	1VL40				19111	AK 84	
			5, 6, 7						18797	AK 64	
			8, 9, 10, 11, 12						135200	AK 51	
			13, 14, 15, 16, 17			206125			AK44		
		18, 19, 20, 21, 22, 23, 24, 25	105476	1VL44	135201	AK39					
		AK8	1, 2	110125	1VP34	111609			AK 99		
			3, 4	106748	1VL40	19111			AK 84		
			5, 6, 7			18797			AK 64		
			8, 9, 10, 11, 12			135200			AK 51		
13, 14, 15, 16, 17	206125		AK44								
18, 19, 20, 21, 22, 23, 24, 25	106758	1VL44	135201	AK39							
2	AL25	AK5, AK6, AK7, AK8	1, 2	110125	1VP34	7/8	111609		AK 99		
			3, 4	106748	1VL40		19111		AK 84		
			5, 6, 7				18797		AK 64		
			8, 9, 10, 11, 12				135200	AK 51			
			13, 14, 15, 16, 17				206125	AK44			
18, 19, 20, 21, 22, 23, 24, 25	106758		1VL44	135201	AK39						
3	AL26		AK5, AK6, AK7, AK8	9, 10, 11, 12	106748		1VL40	7/8	101414	BK130	202655 (3.8)
				13, 14, 15, 16, 17	37451		1VM50		202654	BK105	201809 (3.8)
				18, 19, 20, 21, 22					16153	AK104	
				23, 24, 25, 26, 27, 28, 29					19111	AK84	
		30, 31, 32, 33, 34, 35, 36		105483					AK69		
5	AL27	AK3, AK5, AK6, AK7, AK8	9, 10, 11, 12	7963	2VP42		1-1/8	30621	2AK124	201809 (7.6)	
			13, 14, 15, 16, 17	111681	1VP50			202652	AK124	201809 (3.8)	
			18, 19, 20, 21, 22	161444	1VP56						
			23, 24, 25, 26, 27, 28, 29	111681	1VP50						
			30, 31, 32, 33, 34, 35, 36								
9, 10, 11, 12	7963		2VP42	30621	2AK124	201809 (7.6)					
13, 14, 15, 16, 17	111681		1VP50	202652	AK124	201809 (3.8)					
18, 19, 20, 21, 22	161444		1VP56								
23, 24, 25, 26, 27, 28, 29	111681		1VP50								
30, 31, 32, 33, 34, 35, 36											
9, 10, 11, 12	7963	2VP42	30621				2AK124	201809 (7.6)			
13, 14, 15, 16, 17	111681	1VP50	202652	AK124	201809 (3.8)						
18, 19, 20, 21, 22	161444	1VP56									
23, 24, 25, 26, 27, 28, 29	111681	1VP50									
30, 31, 32, 33, 34, 35, 36											
9, 10, 11, 12	7963	2VP42				30621	2AK124	201809 (7.6)			
13, 14, 15, 16, 17	111681	1VP50	202652	AK124	201809 (3.8)						
18, 19, 20, 21, 22	161444	1VP56									
23, 24, 25, 26, 27, 28, 29	111681	1VP50									
30, 31, 32, 33, 34, 35, 36											
9, 10, 11, 12	7963	2VP42				30621	2AK124	201809 (7.6)			
13, 14, 15, 16, 17	111681	1VP50	202652	AK124	201809 (3.8)						
18, 19, 20, 21, 22	161444	1VP56									
23, 24, 25, 26, 27, 28, 29	111681	1VP50									
30, 31, 32, 33, 34, 35, 36											
9, 10, 11, 12	7963	2VP42				30621	2AK124	201809 (7.6)			
13, 14, 15, 16, 17	111681	1VP50	202652	AK124	201809 (3.8)						
18, 19, 20, 21, 22	161444	1VP56									
23, 24, 25, 26, 27, 28, 29	111681	1VP50									
30, 31, 32, 33, 34, 35, 36											

*Bore size = 1 inch.

**Assume 17 belt links per foot. Belt PN 201809 is Fenner #0408030. Belt PN 202655 is Fenner #0408050.

BLOWER COMPONENTS—CONTINUED

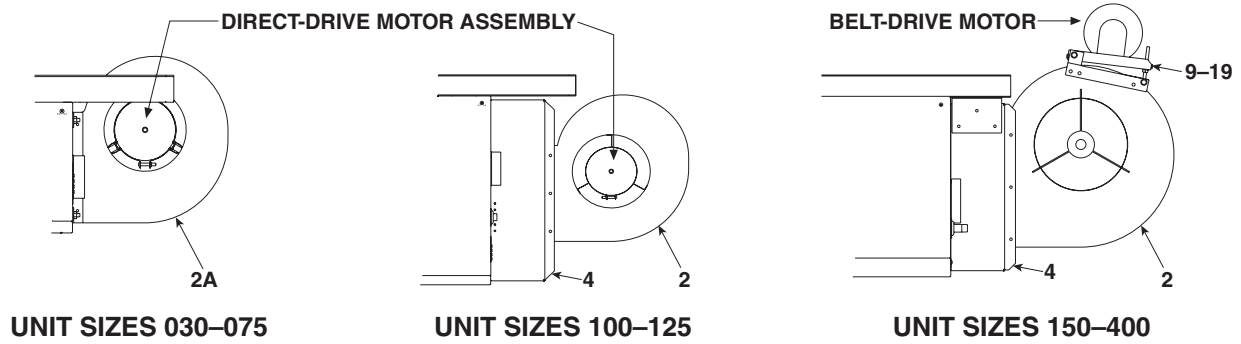


Figure 5. Blower Backs and Blowers (Refer to Table 12 and Table 13)

Table 12. Blower Backs and Blowers (Unit Sizes 030–125)							
HP	Item No.	Component	Description	Unit Size			
				030	045–075	100	125
				PN (Quantity)*			
All	1	Restrictor assembly		201408	—	—	—
	1A	Restrictor		194512			
	1B	Angle	Restrictor	100892 (3)			
	1C	Screw	Sheet metal	195638 (3)			
	2	Blower assembly		201401	—	—	—
	2A	Blower	9 × 6 10 × 10	82111 —			
	2B	Mounting angle	Blower	201740 (2)	—	—	201770
	2C	Screw	Tek, #10 × 1/2 long	37661 (6)			
	3	Corner post	Blower back	—	—	—	1033821
	4	Back assembly	Blower adapter	—	—	—	1033825
	4A	Adapter back	Bottom	—	—	—	1033830
	4B		Top	—	—	—	1033833
	4C		Left side	—	—	—	1033832
	4D		Right side	—	—	—	1033831
	4E	Screw	—	—	—	—	195638 (20)
	4F	Air baffle	Horizontal	—	—	—	1033834
	4G		Vertical	—	—	—	1033835
	4H	Support bracket		Refer to Table 13			
	4I						
	4J	Bolt					
4K	Nut						
5	Key						
6	Blower shaft						
7	Blower bearing						
1/4–3/4	8	Bracket assembly, motor adjustment					
1–5	9–19	Mounting hardware for unit sizes 150–400					

*Quantity is one (1) inless otherwise indicated.

NOTE: Items 1, 3, 5, 6, 7, and 8 are not shown in [Figure 5](#).

Table 13. Blower Backs and Blowers (Unit Sizes 150–400)

HP	Item No.	Component	Description	Unit Size			
				150	175–200	225, 250	300–400
				PN (Quantity)*			
All	1	Restrictor assembly		Refer to Table 12			
	1A	Restrictor					
	1B	Angle					
	1C	Screw					
	2	Blower assembly					
	2A	Blower	12 x 12	1360	—		
			15 x 11	—	100658	—	
			15 x 15	—	—	100659	
	2B	Mounting angle		Refer to Table 12			
	2C	Screw					
	3	Corner post	Blower back	1033822	1033823	1033824	1033824
	4	Back assembly	Blower adapter	1033826	1033827	1033828	1033829
	4A	Adapter back	Bottom	1033838		1033848	1033879
	4B		Top	1033836		1033846	1033850
	4C		Left side	1033842	1033843	1033847	1033851
	4D		Right side	1033841	1033844	1033849	1033880
	4E	Screw	Sheet metal	195638 (34)		195638 (26)	195638 (34)
	4F	Air baffle	Horizontal	1033840	1033845 (2)	—	1033881 (2)
	4G	Air baffle		Refer to Table 12			
	4H	Support bracket	Hanger, left	202759		202759	
4I	Hanger, right		202760		202760		
4J	Bolt**	1/4 x 5/8	47252 (6)		47252 (6)		
4K	Nut	1/4-20	7328 (6)		7328 (6)		
5	Key	1/4 square x 1-1/4 long	16099		16099		
6	Blower shaft	1 x 22	11303		11303	—	
		1 x 23	—		—	100747	
7	Blower bearing	SRC-16-1-1-inch	10437		10437		
1/4–3/4	8	Bracket assembly	Motor adjustment	193996	193996		
	8A	Bracket	Motor adjustment	12575	12575		
	8B	Nut	Spotweld, 5/16-18	16233 (2)	16233 (2)		
	8C	Bolt, motor adjustment	Hex head, 5/16-18 x 4 long	14668 (2)	14668 (2)		
	8D	Nut	Hex, 5/16-18	1035 (2)	1035 (2)		
	8E	Capscrew, hex head	1/4-20 x 3/4 long	16246 (2)	16246 (2)		
	8F	Nut, Keps	Hex, 1/4-20	10650 (2)	10650 (2)		
	8G	Washer	Flat, 1/4	1320 (4)	1320 (4)		
8H	Hardware bag		64940	64940			
1–5	9	Plate	Motor mounting	—	202839	202840	202841
	10	Support, motor mounting plate	Left	12576		12576	
			Right	12577		12577	
	12	Rod bolt	5/16-18	12489 (2)	12489 (2)		
	13	Nut	Hex, 5/16-18	1035 (2)	1035 (2)		
	14	Nut, Keps	Hex, 5/16-18	6554 (6)	6554 (6)		
	15	Washer	Flat, 5/16	1087 (8)	1087 (8)		
	16	Capscrew, hex head	5/16-18 x 3/4 long	16247 (6)		16247 (6)	
			5/16-18 x 1-1/2 long	16248 (2)		16248 (2)	
	18	Insert, threaded	5/16-18 (#ATS2-518)	124260 (4)		124260 (4)	
19	Fastener, Teks	#10-16 x 1/2 long	37661 (4)		37661 (4)		

*Quantity is one (1) inless otherwise indicated.

**For securing hanger support bracket to adapter back.

NOTE: Items 1, 3, 5, 6, 7, and 8 are not shown in [Figure 5](#).

CABINET COMPONENTS

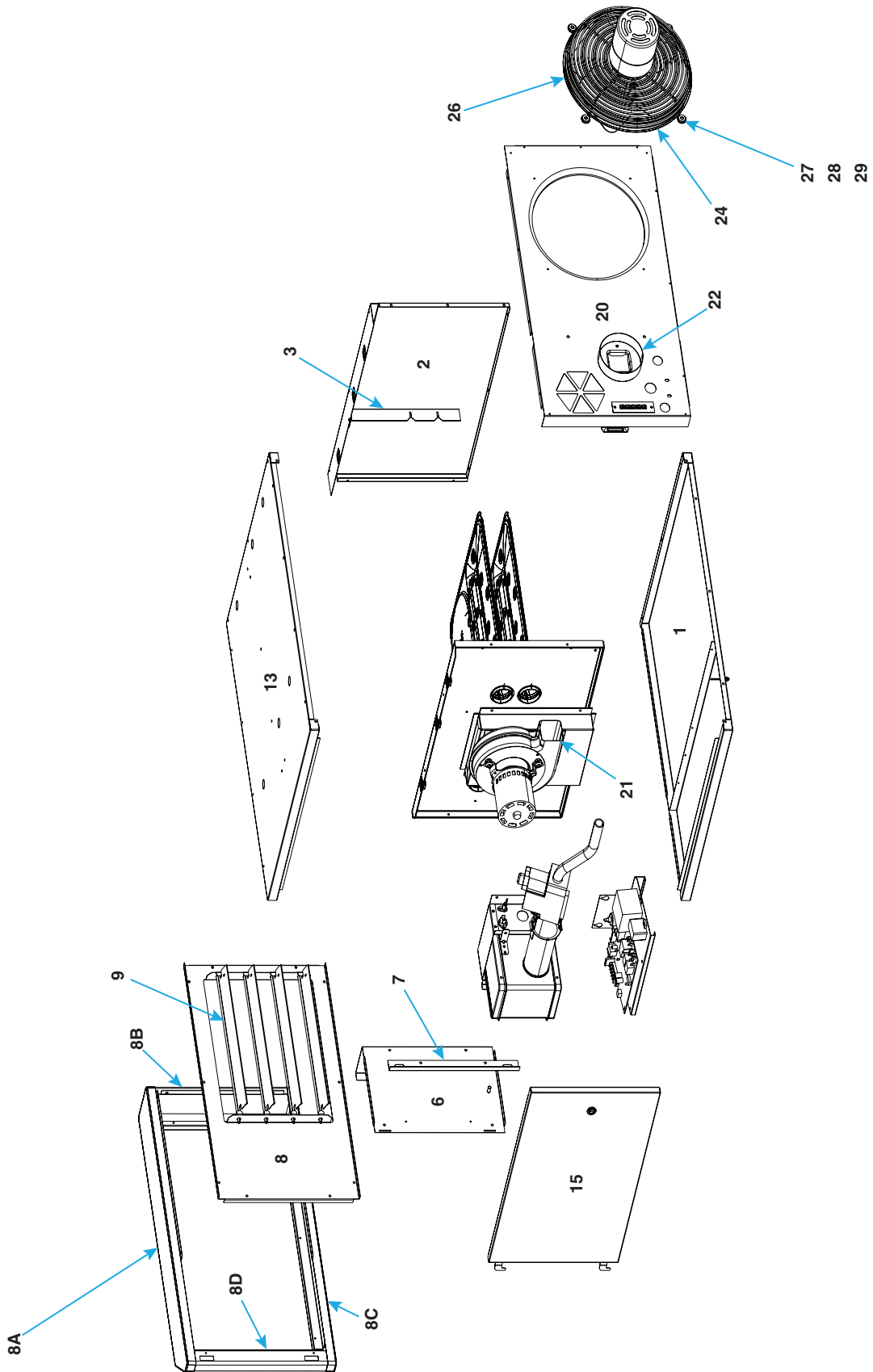


Figure 6. Cabinet Components (Refer to [Table 14](#) and [Table 15](#))

Table 14. Cabinet Components (Unit Sizes 030–125)

Item No.	Component	Description	Model	Unit Size					
				030	045	060	075	100	125
				PN (Quantity)*					
1	Pan assembly	Bottom	All	1034099		1034099		1034099	
2	Side panel	Left	All	1028425		1028427		1028445	
3	Support	Heat exchanger	All	1034663	1034664	1034665	1034666	1034667	1034668
4	Gasket	Heat exchanger support	All	236155 (2)		236155 (2)		236155 (2)	
5	Screw	Sheet metal, #8-18 × 3/8	All	195638		195638		195638	
6	Panel	Right	UBX, UDX	1036221		1036222		1036223	
			UBZ, UDZ	1036227		1036228		1036229	
7	Stop	Door	All	1036233		1036234		1036235	
8	Plate	Face	UBX, UDX	1028412		1028432		1028438	
			UBZ, UDZ	1028414		1028435		1028442	
8A	Face assembly	Top	All	1041197		1041197		1041197	
8B		Left		1028410		1028431		1028440	
8C		Bottom		1041198		1041198		1041198	
8D		Mitered corner		1028411		1028430		1028430	
8E		Face inlay (not shown)		UBZ, UDZ	1028415		1028436		1028439
9	Louver	Horizontal, black	UBX, UDX	1028417 (4)		1028417 (5)		1028417 (7)	
			UBZ, UDZ	1028416 (3)		1028416 (4)		1028416 (6)	
		Horizontal, red	UBZ, UDZ	1033958		1033958		1033958	
10	Spring	Compression, for louver	All	195046 (3)		195046 (4)		195046 (6)	
11	Hanger bar	Right	UBX, UBZ	202744		202744	202746	202748	202750
12		Left		202743		202743	202745	202747	202749
13	Clip nut	For hanging	All	196336 (2)		196336 (2)		196336 (2)	
	Panel	Top		1028422		1028422		1028422	
14	Air baffle	Top	UDX, UDZ	195545	195546	195547	195548	195549	195550
15	Door	Access	UBX, UDX	1034180		1034181		1034182	
			UBZ, UDZ	1034204		1034205		1034206	
16	Plug	Window	UBZ, UDZ	207525		207525		207525	
17	Rubber	Door	UBX, UDX	155064 (4)		155064 (4)		155064 (4)	
18	Gasket	Door, top/bottom	UBZ, UDZ	202031(2)		202031(2)		202031(2)	
19		Door, side		202031(2)		202031(2)		202031(2)	
20	Rear panel	—	UDX	1028421		1028428		1028446	
		Includes inlet collar	UDZ	1034641		1034642		1034643	
		—	UBX	1033882		1033883		1033884	
		Includes inlet collar	UBZ	1034648		1034649		1034650	
21	Gasket	Outlet collar	All	170048		170048		170048	
22	Outlet collar	4-inch	All	195077		195077		195077	
23	Support, flue (outlet) collar		Part of flue wrapper assembly (refer to Table 16)						
24	Fan blade		UDX, UDZ	195644	195645	195646	195647	195648	195649
25	Fan guard	Standard spacing	UDX, UDZ	175266		175267		195047	
		Fingerproof (option AZ8)		260873		260874		260875	
26	Bushing	Fan guard isolator		196349 (4)		196349 (4)		196349 (4)	
27	Screw	Fan guard isolator/bushing		196330 (4)		196330 (4)		196330 (4)	
28	Isolator	Fan guard		196348 (4)		196348 (4)		196348 (4)	
29	Clip	Fan guard, in back		54633 (4)		54633 (4)		54633 (4)	
30	Grommet	For pipe		UBZ, UDZ	102607		102607		102607
31	Touch-up paint	White, spray can	All	1035205U		1035205U		1035205U	
32		Black, spray can		1035207U		1035207U		1035207U	
33	Reznor logo	Sticker	UBX, UDX	1034239		1034240		1034240	
		Plastic	UBZ, UDZ	1034238		1034238		1034238	

*Quantity is one (1) unless otherwise indicated.

CABINET COMPONENTS—CONTINUED

Table 15. Cabinet Components (Unit Sizes 150–400)											
Item No.	Component	Description	Model	Unit Size							
				150	175	200	225	250	300	350	400
				PN (Quantity)*							
1	Pan assembly	Bottom	All	1034101			1034101		1034102		
2	Side panel	Left	All	1033699			1033706		1033719		
3	Support	Heat exchanger	All	Part of replacement heat exchanger (refer to Table 18)							
4	Gasket	Heat exchanger support									
5	Screw	Sheet metal, #8-18 x 3/8									
6	Panel	Right	UBX, UDX	1036224			1036225		1036226		
			UBZ, UDZ	1036230			1036231		1036232		
7	Stop	Door	All	1036236			1036237		1036238		
8	Plate	Face	All	1033696			1033811		1033729		
8A	Face assembly	Top	All	1028449			1028449		1033724		
8B		Left		1028451			1033711		1033725		
8C		Bottom		1028450			1028450		1033727		
8D		Mitered corner		1028452			1033712		1033726		
8E		Face inlay (not shown)	UBZ, UDZ	1033693			1033714		1033801		
9	Louver	Horizontal, black	UBX, UDX	1033810 (5)			1033810 (7)		1033810 (10)		
			UBZ, UDZ	1033694 (4)			1033694 (6)		1033694 (9)		
		Horizontal, red	UBZ, UDZ	1033959			1033959		1033959		
10	Spring	Compression, for louver	All	195046 (5)			195046 (7)		195046 (10)		
11	Hanger bar	Right	UBX, UBZ	202752			202754		202756	202758	
12		Left		202751			202753		202755	202757	
13	Clip nut	For hanging	All	196336 (2)			196336 (2)		196336 (2)		
	Panel	Top	All	1036342			1033698		1033718		
14	Not used										
15	Door	Access	UBX, UDX	1034183			1034184		1034185		
			UBZ, UDZ	1034207			1034208		1034209		
16	Plug	Window	UBZ, UDZ	207525			207525		207525		
17	Rubber	Door	UBX, UDX	155064 (4)			155064 (4)		155064 (4)		
18	Gasket	Door, top/bottom	UBZ, UDZ	202031 (2)			202031 (2)		202031 (2)		
19		Door, side		202031 (2)			202031 (2)		202031 (2)		
20	Rear panel	—	UBX	1033885	1033886	1033887		1033888			
		Includes inlet collar	UBZ	1034651	1034652	1034653		1034654			
		—	UDX	1033702	1033705	1033707		1033722			
		Includes inlet collar	UDZ	1034644	1034645	1034646		1034647			
21	Gasket	Outlet collar	All	170048	196822	196822		196822			
22	Outlet collar	5-inch	All	195079	216950	216950		—			
		6-inch		—			—		216951		
23	Support	Flue (outlet) collar	All	—		254952		254952			
24	Fan blade		UDX, UDZ	195679	195680	195681	195682	195683	209122	209121	
25	Fan guard	Standard spacing	UDX, UDZ	170084			170085		170086		
26	Bushing	Fan guard isolator	UDX, UDZ	96451 (4)			96451 (4)		96451 (4)		
27	Screw	Fan guard isolator/bushing	UDX, UDZ	96452 (4)			96452 (4)		96452 (4)		
28	Isolator	Fan guard	UDX, UDZ	196348 (4)			196348 (4)		196348 (4)		
29	Clip	Fan guard, in back	UDX, UDZ	54633 (4)			54633 (4)		54633 (4)		
30	Grommet	For pipe	UBZ, UDZ	102607			15021		15021		
31	Touch-up paint	White, spray can	All	1035205U			1035205U		1035205U		
32		Black, spray can		1035207U			1035207U		1035207U		
33	Reznor logo	Sticker	UBX, UDX	1034240			1034240		1034240		
		Plastic	UBZ, UDZ	1034238			1034238		1034238		

*Quantity is one (1) unless otherwise indicated.

VENTER AND FLUE WRAPPER COMPONENTS

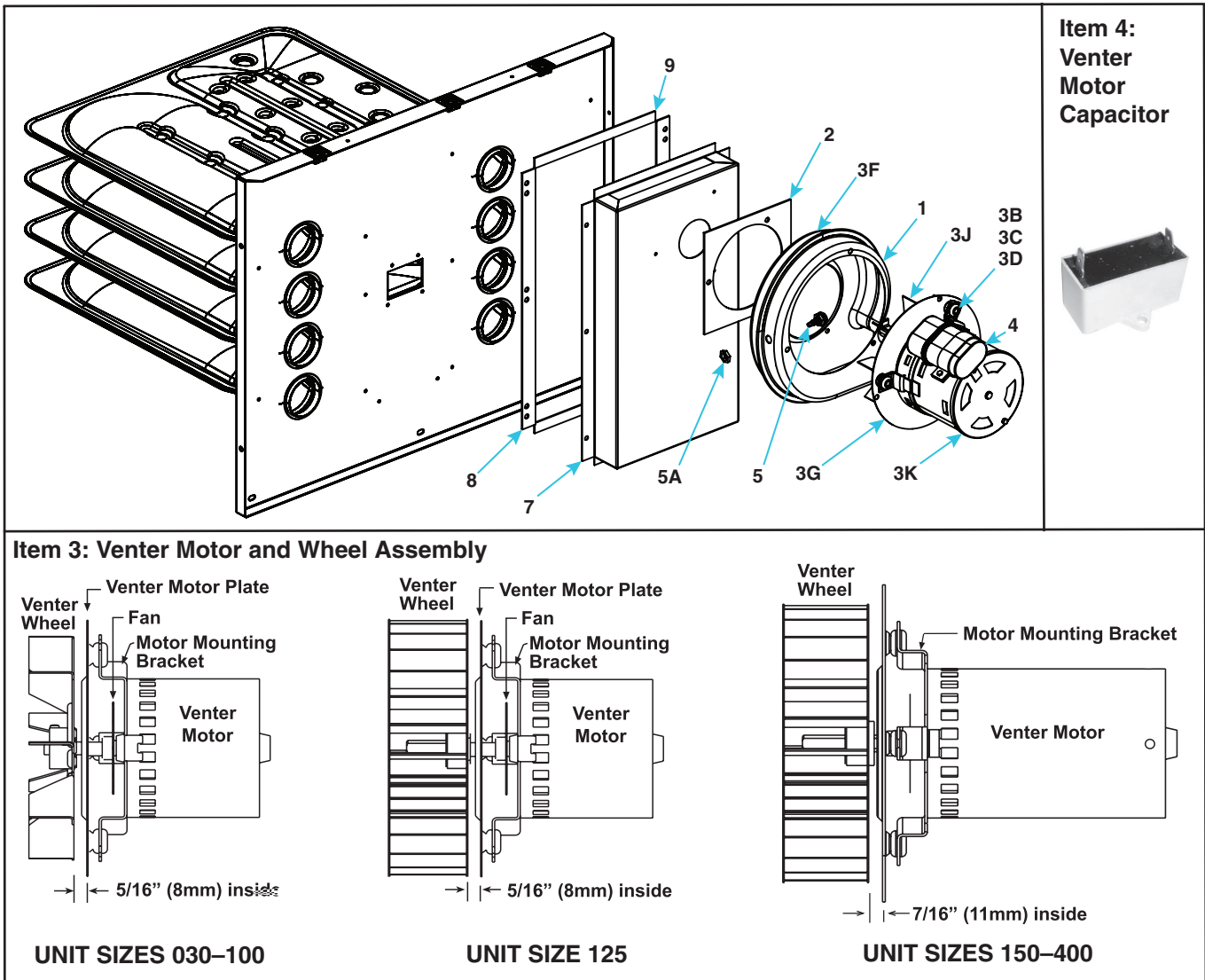


Figure 7. Venter and Flue Wrapper Components (Refer to [Table 16](#) and [Table 18](#))

VENTER AND FLUE WRAPPER COMPONENTS—CONTINUED

Table 16. Venter and Flue Wrapper Components (Unit Sizes 030–125)									
Item No.	Component	Description	Model	Unit Size					
				030	045	060	075	100	125
PN (Quantity)*									
1	Housing	Venter	All	196248					
2	Gasket	Venter housing		196012					
3	Venter motor and wheel	Assembly	UBX	220779	220779	1036168	1036169	1036170	
			UBZ		1036169				
			UDX		220779				
			UDZ		1036169				
3A	Bracket	Venter motor	All	195072			—		
3B	Isolator	Venter motor		194534 (3)					
3C	Bushing	Venter motor isolator		194803 (3)					
3D	Screw	Venter motor isolator bushing		113275 (3)					
3E	Plate	Venter motor		194806					
3F	Gasket	Venter motor plate		Refer to Table 18					
3G	Clip	Venter motor		Not required					
3H	Screw	Venter motor clip							
3I	Wheel	Venter		UBX	195036	195036		195036	135979
			UBZ						
			UDX						
			UDZ						
3J	Motor	Venter	UBX	1005552	1005552	1005553	236157		
			UBZ		236157				
			UDX		1005552				
			UDZ		236157				
3K	Cooling fan	Venter motor	All	195766					
4	Capacitor**	Venter motor	Refer to Table 18						
5	Pressure tap	Static, assembly	All	116043					
5A	Nut	Static pressure tap		—					
6	Tubing, silicone rubber	6 inches long		148986					
7	Flue wrapper assembly	UBX, UDX	1034070	1034072	1034074	1034076	1034078	1034080	
		UBZ, UDZ		1034044	1034046				
7A	Flue wrapper	UBX, UDX	1034071	1034073	1034075	1034077	1034079	1034081	
		UBZ, UDZ		1034045	1034047				
8	Gasket, flue wrapper	Side	All	170029		170030		1033980	
9		Top/bottom		170038		170038		170038	
*Quantity is one (1) unless otherwise indicated.									
**May be included in item 3 assembly.									

Table 17. Venter and Flue Wrapper Components (Unit Sizes 150–400)

Item No.	Component	Description	Model	Unit Size							
				150	175	200	225	250	300	350	400
				PN (Quantity)*							
1	Housing	Venter	All	196248		257029		257029			
2	Gasket	Venter housing		196012		254935		254935			
3	Venter motor and wheel assembly	115V	All (except with option AV6)	220782		220784		220786			
		208/230V/1PH	UDX, UDZ	220783		220785		220787			
		208/230V/3PH	UBX, UBZ	220783		220785		220787			
3A	Bracket	Venter motor	All	195072		195072		195072			
3B	Isolator	Venter motor		194534 (3)		194534 (3)		194534 (3)			
3C	Bushing	Venter motor isolator		194803 (3)		194803 (3)		194803 (3)			
3D	Screw	Venter motor isolator bushing		113275 (3)		113275 (3)		113275 (3)			
3E	Plate	Venter motor		194806		194910		194910			
3F	Gasket	Venter motor plate		—		201472		201472			
3G	Clip	Venter motor		Not required		Not required		Not required			
3H	Screw	Venter motor clip		Not required		Not required		Not required			
3I	Wheel	Venter		195036		195666		195666			
3J	Venter motor	115V		236157		236158		236159			
3K	Cooling fan	Venter motor		195766		196035		196035			
4	Venter motor capacitor	115V, 3µF, 400VAC		UDX, UDZ (with options D10 and D14)	236180		—		—		
		115V, 4µF, 400VAC			195641		—		—		
		115V, 5µF, 400VAC	—		—		195642				
		115V, 7.5µF, 400VAC	—		195643		—				
		115V	—		195643		195642	195643			
		115V, 3µF, 400VAC	236180		—		—				
4 (cont.)	Venter motor capacitor (continued)	115V, 4µF, 400VA	UDX, UDZ (each with options D10 and D14) (continued)	—	195641	—		—			
		115V, 5µF, 400VAC		195642	—	—		—			
		208/230V/1PH		195641		195642		195641			
		208/230V/3PH, 4µF, 400VAC	UBX, UBZ	195641		—		195641			
		208/230V/3PH, 5µF, 400VAC		—		195642		—			
5	Static pressure tap			116043		116043		116043			
6	Tubing, silicone rubber	12 inches long	All	148251		—		—			
		16 inches long		—		205837		—			
		20 inches long		—		—		130673		—	
		22 inches long		—		—		157904			
7	Flue wrapper assembly	UBX, UDX	UBZ, UDZ	1034082	1034084	1034086	1034088	1034090	1034092	1034094	1034096
		1034058				1034064			1034066		
7A	Flue wrapper	UBX, UDX	UBZ, UDZ	1034083	1034085	1034087	1034089	1034091	1034093	1034095	1034097
		1034059				1034065			1034067		
8	Gasket, flue wrapper	Side	All	170033	170034	170035	170042	170043	170044	170036	170037
9		Top/bottom		170039		170039		170039			

*Quantity is one (1) unless otherwise indicated.

HEAT EXCHANGER AND BURNER ASSEMBLY COMPONENTS

NOTE: Replacement heat exchanger and burner assembly for unit sizes 030–125 are shown in [Figure 8](#). Replacement heat exchanger for unit sizes 150–400 includes a tube support and four channels that connect the header to the support. All replacement heat exchangers include a gasket kit with instructions for attaching gaskets.

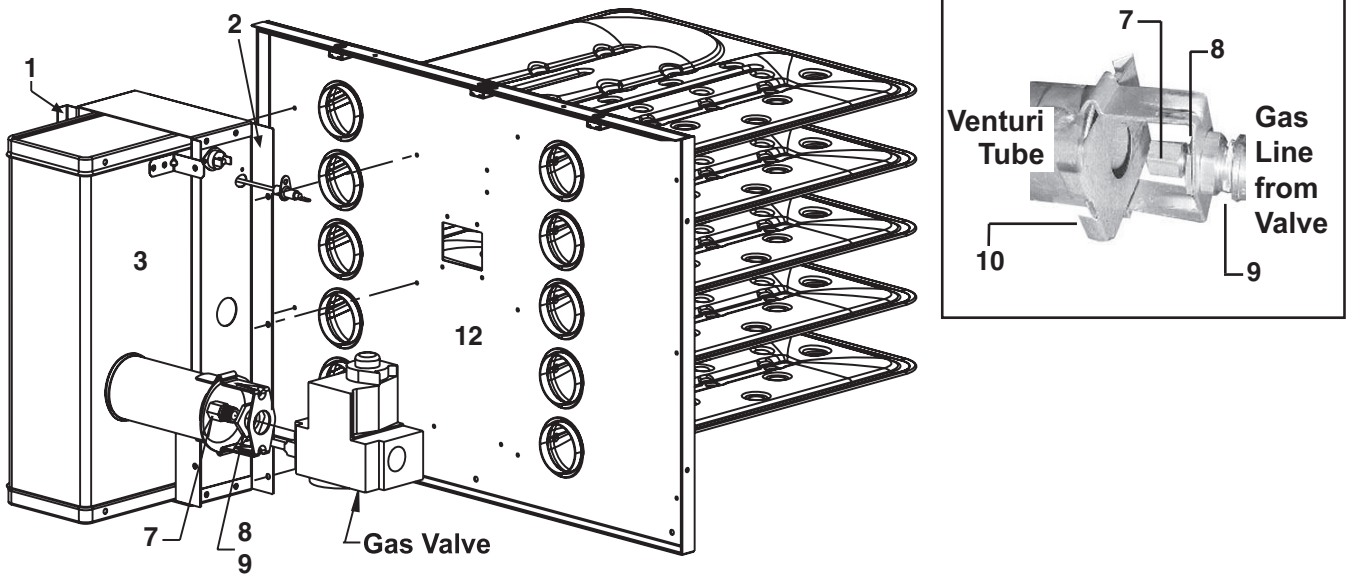


Figure 8. Replacement Heat Exchanger and Burner Assembly Components—Unit Sizes 030–125
(Refer to [Table 18](#) and [Table 19](#))

Table 18. Burner Assembly Components (Unit Sizes 030–125)

Item No.	Component	Description	Model	Unit Size						
				030	045	060	075	100	125	
				PN (Quantity)*						
1	Burner shield	Front side	UDX, UDZ	222100	222101	222102	222103	222105	222106	
			UBX, UBZ				222104			
2	Burner shield	Rear side	UDX, UDZ	222127	222128	222129	222130	222131	222132	
			UBX, UBZ	222147	222148	222149	222150	222151	222152	
3	Burner assembly		UDX, UDZ	195231	195232	195233	195234	195235	195236	
			UBX, UBZ	195231	195232	195233	202642	195235	195236	
4	Gasket	Burner end (not shown)	All	195667 (2)		195667 (2)		195667 (2)		
5	Burner baffle (not shown)		UDX, UDZ	—	—	—	—	196750 (2)		
								196751 (2)	196751 (2)	—
			UBX, UBZ				196749 (2)	202682 (2)	196750 (2)	
							202683 (2)	202684 (2)	196751 (2)	—
6	Burner support (not shown)		All	196597 (3)	196597 (4)	196597 (4)		196597 (6)		
			196752							
7	Burner orifice		All	Refer to Table 20						
8	Nut, pipe	1/2	All	165702		165702		165702		
9	Bushing	Orifice adapter, 1/2 x 1/4	All	165701		165701		165701		
10	Primary air restrictor	For propane only	UDX, UDZ	196687		196688		196688	—	
			UBX, UBZ	203078		202051		196688		
11	Gas conversion kit (not shown)	Natural gas to propane	UDX, UDZ	1036536R		1036537R		1036538R		
			UBX, UBZ	1036541R		1036542R				
		Propane to natural gas	All	1036544R		1036545R		1036546R		
12	Heat exchanger assembly, includes gaskets	Aluminized (AC1)	UDX	1034160	1034161	1034162	1034163	1034164	1034165	
			UBX, UBZ, UDZ	1034024	1034027	1034030	1034033	1034036	1034039	
		409 stainless steel (AC2)	All	1034026	1034029	1034032	1034035	1034038	1034041	
		316 stainless steel (AC4)		1034025	1034028	1034031	1034034	1034037	1034040	
12A	Gasket kit	Heat exchanger	All	1036360		1036361		1036362		

*Quantity is one (1) unless otherwise indicated.

HEAT EXCHANGER AND BURNER ASSEMBLIES—CONTINUED

Table 19. Burner Assembly Components (Unit Sizes 150–400)											
Item No.	Component	Description	Model	Unit Size							
				150	175	200	225	250	300	350	400
				PN (Quantity)*							
1	Burner shield	Front side	UDX, UDZ	222107	222108	222109	222110	222111	222112		
			UBX, UBZ						222112	222113	
2	Burner shield	Rear side	UDX, UDZ	222133	222134	222136	222137	222138	222139		
			UBX, UBZ						222139	222140	
3	Burner assembly		All	195237	195238	195239	195240	195241	195242	195243	
4	Gasket	Burner end (not shown)	All	195668 (2)		195668 (2)		195668 (2)			
5	Burner baffle (not shown)		All	197238 (2)		197238 (2)		197239 (2)	—		
6	Burner support (not shown)		All	196598 (4)		196598 (6)		196598 (6)			
7	Burner orifice		Refer to Table 20								
8	Nut, pipe	1/2	All	165702		165702		165702			
9	Bushing, orifice adapter	1/2 × 1/4	All	165701		—		—			
		3/4 × 3/8	All	—		194809		194809			
10	Primary air restrictor	For propane only	All	196688	—		—		—		
11	Gas conversion kit (not shown)	Natural gas to propane	All	1036539R		1036540R	1036540R		1036543R	1036543R	
		Propane to natural gas	All	1036547R		1036548R	1036548R		1036549R	1036549R	
12	Heat exchanger assembly, includes gaskets, tube supports, and tube support channels	Aluminized (AC1)	UDX	1034589	1034593		1034597	1034601	1034605	1034609	1034613
			UBX, UBZ, UDZ	1034590	1034594		1034598	1034602	1034606	1034610	1034614
		All	409 stainless steel (AC2)	1034592	1034596		1034600	1034604	1034608	1034612	1034616
			316 stainless steel (AC4)	1034591	1034595		1034599	1034603	1034607	1034611	1034615
12A	Gasket kit	Heat exchanger	All	201670		201671	221214	201672	201672		

*Quantity is one (1) unless otherwise indicated.

Table 20. Burner Orifices				
Unit Size*	Natural Gas		Propane	
	Orifice (Drill) Size	PN	Orifice (Drill) Size	PN
030	#39	196852	1.6-mm	196844
045	3.1 mm	120144	#48	196845
060	#28	124969	2.25 mm	1034350
075	#22	196361	#40	120137
100	#14	208247	#32	120141
125	#10	120158	3.1 mm	120144
150	5.6 mm	208243	3.5 mm	120148
175	6.0 mm	208245	#27	120149
200	F	120167	4.1 mm	196900
225	6.95 mm	221121	11/64 inch	196901
250	L	208255	4.6 mm	1034352
300	7.8 mm	208253	#8	196903
350	8.5 mm	1034354	5.4 mm	1034353
400	9.2 mm	1034355	5.8 mm	196905

*All models.

VENTING AND COMBUSTION AIR KIT COMPONENTS (MODELS Udz AND UBZ)

NOTES:

- There are three venting and combustion air kits. Kit components are shown in [Figure 9](#) and listed in [Table 21](#).
- The vertical vent terminal/combustion air package is the same as option CC2. The horizontal vent terminal/combustion air package is the same as option CC6.
- The concentric adapter box assembly (item 1A) for the vertical vent terminal/combustion air package is configured with a collar and a vent pipe opening on the heater connection side. The collar is for connecting the combustion air pipe from the heater and the vent pipe opening is for the vent pipe to run through from the terminal and outside air pipe to connect to the vent run.
- The concentric adapter box assembly (item 1B) for the horizontal vent terminal/combustion air package is configured with a collar on the vent terminal connection side. The collar is for connecting the outside portion of the combustion air pipe. The vent pipe runs concentric through the outside portion of the combustion air pipe.

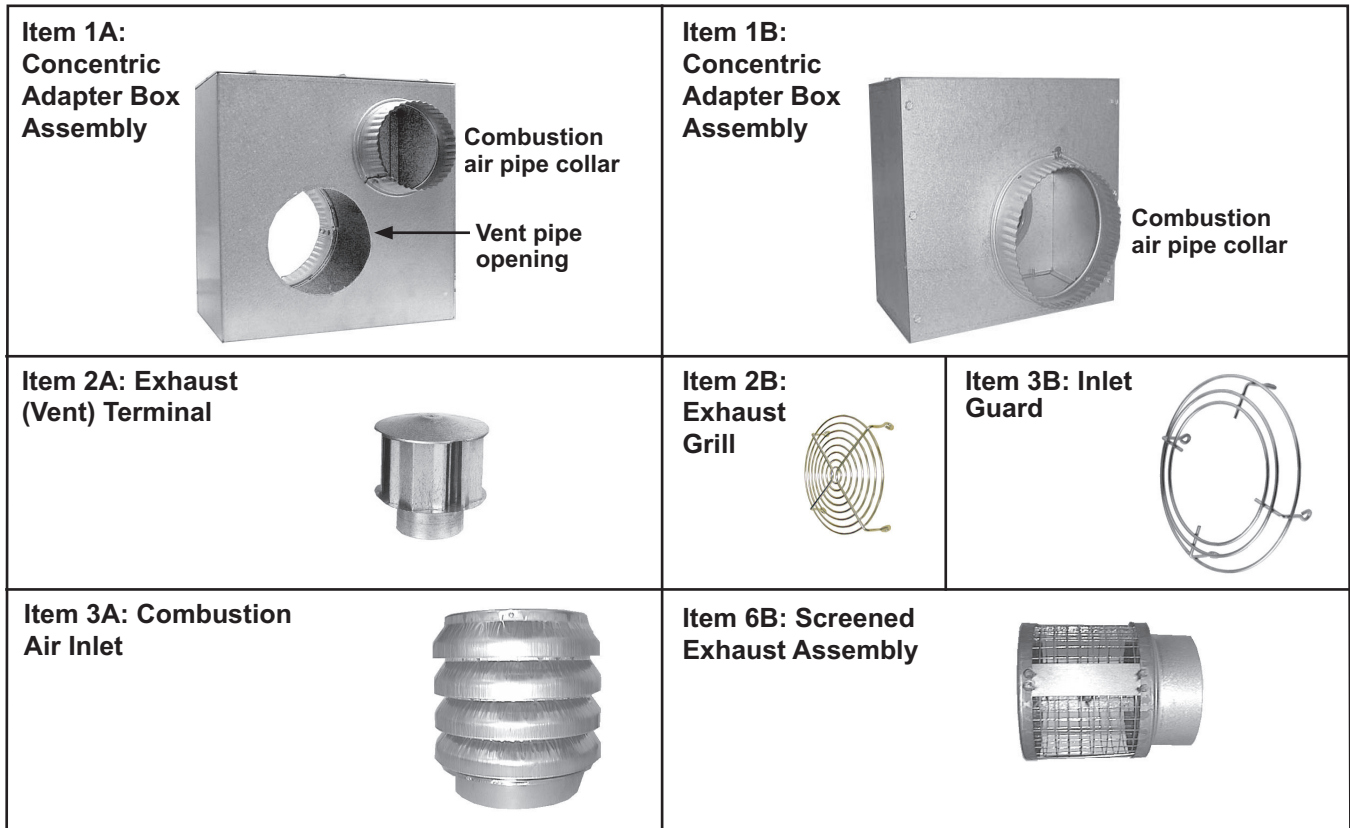


Figure 9. Venting and Combustion Air Kit Components (Refer to [Table 21](#))

VENTING AND COMBUSTION AIR KIT COMPONENTS (MODELS UDZ AND UBZ)—CONTINUED

Table 21. Venting and Combustion Air Kit Components						
Kit	Unit Size		Item No.	Component	Unit Size	
	030–125	150–400			030–125	150–400
	Kit PN				Component PN (Quantity)*	
Vertical vent kit (same as option CC2)	205895	205896	1A	Concentric adapter box assembly	205884	205885
			2A	Exhaust (vent) terminal	110051	110052
			3A	Combustion air inlet	155635	53330
			4A	Bracket, concentric adapter box (not shown)	207232 (2)	
			5A	Sealant, clear silicone, #732, high temperature (450°F), 3-oz tube (not shown)	53335	
Horizontal vent kit (same as option CC6)	211762	211763	1B	Concentric adapter box assembly	211789	211790
			2B	Exhaust grill	211791	211792
			3B	Inlet guard	151755	124940
			4B	Bracket, concentric adapter box (not shown)	207232 (2)	
			5B	Screw, #10-16 × 1/2 long, to attach guard and grill (not shown)	37661 (8)	
			6B	Screened exhaust assembly	155096	53316
			7B	Sealant, clear silicone, #732, high temperature (450°F), 3-oz tube (not shown)	53335	

*Quantity is one (1) unless otherwise indicated.

ACCESSORIES/OPTIONS

Vent Caps (Option CC1, Models UBX and UDX)

NOTE: Refer to the venting manual listed in [Table 1](#) for installation instructions.



Figure 10. Vent Cap

Table 22. Vent Caps						
Model	Unit Size					Size (Inches)
	030–075	100	125	150–250	300–400	
	PN					
UBX, UDX	111848		—		—	4
	—		111849		—	5
	—		—		111850	6
UDX (with option AV6)	111848	—				4
	—	111849	—		—	5

Vertical Louver Kits (Option CD1)

NOTES:

- Refer to the vertical louver kit installation manual listed in [Table 1](#) for kit components and installation instructions.
- When installed, vertical louvers must be adjusted to achieve the desired airflow pattern.

Table 23. Vertical Louver Kits

Unit Size					
030, 045	060, 075	100, 125	150–200	225, 250	300–400
Kit PN					
1036298	1036299	1036300	1036301	1036302	1036303

Downturn Nozzle Kits (Options CD2, CD3, CD4, and CD5)

NOTES:

- The downturn nozzle assembly (option CD2, CD3, CD4, or CD5) consists of one or two 30-degree nozzles. Options CD3 and CD5 provide 60-degree air deflection (may vary with louver adjustment).
- Refer to the downturn nozzle kit installation manual listed in [Table 1](#) for kit components and installation instructions.

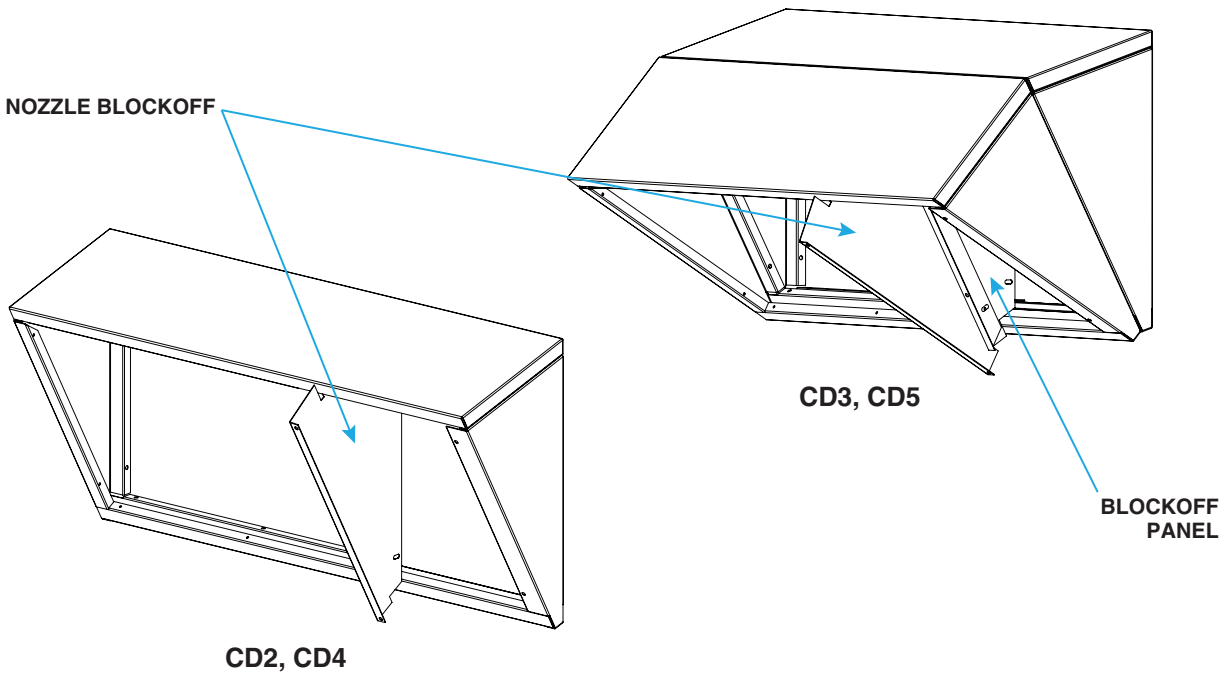


Figure 11. Downturn Nozzle Assemblies

ACCESSORIES/OPTIONS—CONTINUED

Downturn Nozzle Kits (Options CD2, CD3, CD4, and CD5)—Continued

Table 25. Downturn Nozzle Kits							
Option	Model	Unit Size					
		030, 045	060, 075	100, 125	150–200	225, 250	300–400
		Kit PN					
CD2	UBX, UDX	1036261	1036262	1036263	1036264	1036265	1036266
	UBZ, UDZ	1036267	1036268	1036269	1036270	1036271	1036272
CD3	UBX, UDX	1036273	1036274	1036275	1036276	1036277	1036278
	UBZ, UDZ	1036279	1036280	1036281	1036282	1036283	1036284
CD4	UBX, UDX	1036285	1036286	1036287	1036288	1036289	1036290
	UBZ, UDZ	1036291	1036292	1036293	1036294	1036295	1036296
CD5	UBX	1036306	1036307	1036308	1036309	1036310	1036311
	UBZ	1036312	1036313	1036314	1036315	1036316	1036317

Duct Flange Kits (Option CD9, Models UBX and UBZ)

NOTE: Refer to the duct flange kit installation manual listed in [Table 1](#) for kit components and installation instructions.

Table 26. Duct Flange Kits						
Unit Size						
030, 045	060, 075	100, 125	150–200	225, 250	300–400	
Kit PN						
1036350	1036351	1036352	1036353	1036354	1036355	

Polytube Adapter Kit (Option CD11, Models UBX and UBZ, Unit Sizes 075–400)

NOTE: Refer to the polytube adapter kit installation manual listed in [Table 1](#) for kit components and installation instructions.

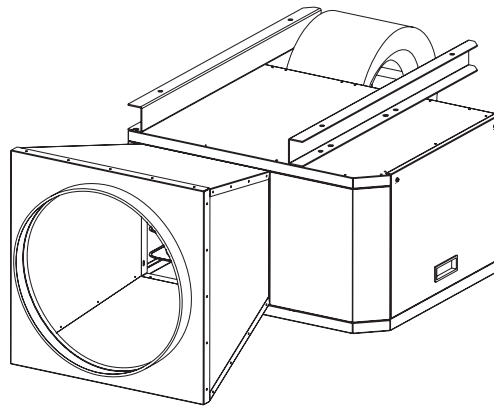


Figure 12. Polytube Adapter Assembly

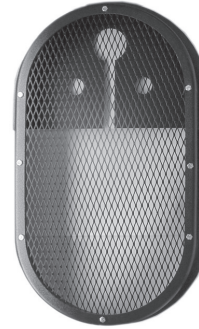
Table 24. Polytube Adapter Kits				
Unit Size				
075	100, 125	150–200	225, 250	300–400
Kit PN				
1036371	1036372	1036373	1036374	1036375

Blower Inlet and Belt Guard Kits (Options CD10 and CD12, Models UBX and UBZ)

NOTE: The blower inlet guard and belt guard assemblies (see Figure 13) together are option CD10. The blower inlet guard assembly, when ordered separately is option CD12.



Blower Inlet Guard Assembly



Belt Guard Assembly

Figure 13. Blower Inlet and Belt Guard Assemblies

Table 27. Blower Inlet and Belt Guard Kit Components				
Option	Component	Unit Size		
		030–125	150–200	225–400
		Kit PN		
		114548	202316	202317
Component PN (Quantity)*				
CD10	Blower inlet guard	—	203079	102475
	Belt guard		193797	193795
	Green wire assembly		202939	
	Screw, #10-16 × 1/2 long**		37661 (8)	
CD12	Blower inlet guard	102474	—	
	Screw, #10-16 × 1/2 long	37661 (4)		

*Quantity is one (1) unless otherwise indicated.
 **Four (4) screws are used to secure the blower inlet guard, three (3) are used to secure the belt guard, and one (1) is used to secure the ground wire to the blower.

Hanger Kit (Option CK10)

NOTE: Hanger kit option CK10 is for four-point suspension.



Four-Point Suspension

Figure 14. Hanger Kit

Table 28. Hanger Kit Components		
Option	Component	PN (Quantity)
CK10 (four-point suspension)	Hanger kit package	98511 (1)
	Swivel connector assembly	17627 (4)
	Lockwasher, 3/8	5197 (8)
	Nut, hex, 3/8	1438 (4)

ACCESSORIES/OPTIONS—CONTINUED

Ceiling Suspension Kit (Option CK22, Models UDX and UDZ, Unit Sizes 030–125)

NOTES:

- The ceiling suspension kit (option CK22) allows the heater to be installed 1 inch from the ceiling without hanger rods.
- Refer to the ceiling suspension kit installation manual listed in [Table 1](#) for kit components and installation instructions.

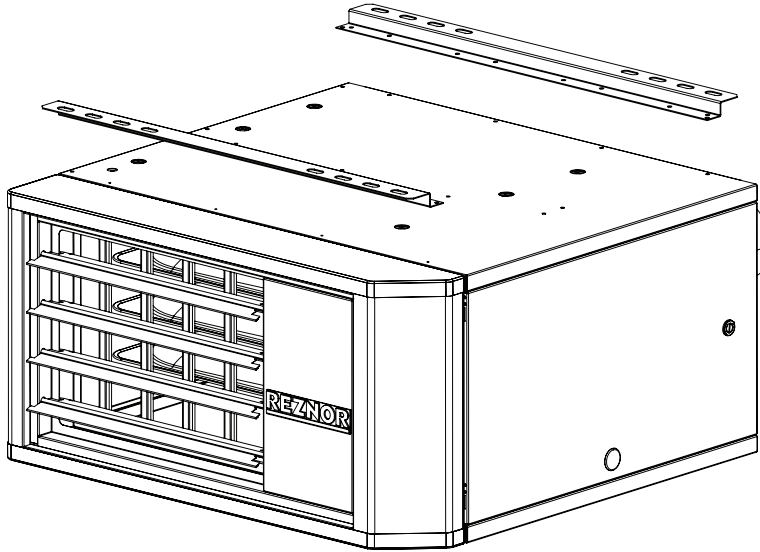


Figure 15. Ceiling Suspension Kit

Table 29. Ceiling Suspension Kit

Model	Kit PN
UDX, UDZ	1036357

Gas Conversion Kits

NOTE: Refer to the gas conversion kit installation manual listed in [Table 1](#) for kit components and installation instructions.

Table 30. Gas Conversion Kits

Conversion Type	Model	Unit Size					
		030, 045	060, 075	100, 125	150, 175	200–250	300–400
		Kit PN					
Natural gas to propane	UBX, UBZ	1036541R	1036542R	1036538R	1036539R	1036540R	1036543R
	UDX, UDZ	1036536R	1036537R				
Propane to natural gas	UBX, UBZ	1036544R	1036545R	1036546R	1036547R	1036548R	1036549R
	UDX, UDZ						

Manual Shutoff Valve (Option CE1)



Figure 17. Manual Shutoff Valve Assembly

Table 31. Shutoff Valve Components			
Component	Description	Unit Size	
		030–200	225–400
		PN	
Shutoff valve assembly	Includes ball valve and union	15971	15972
Ball valve	1/2-inch	196910	—
	3/4-inch	—	196911
Union	1/2-inch	1224	—
	3/4-inch	—	1101

Thermostats (Options CL1 and CL22)

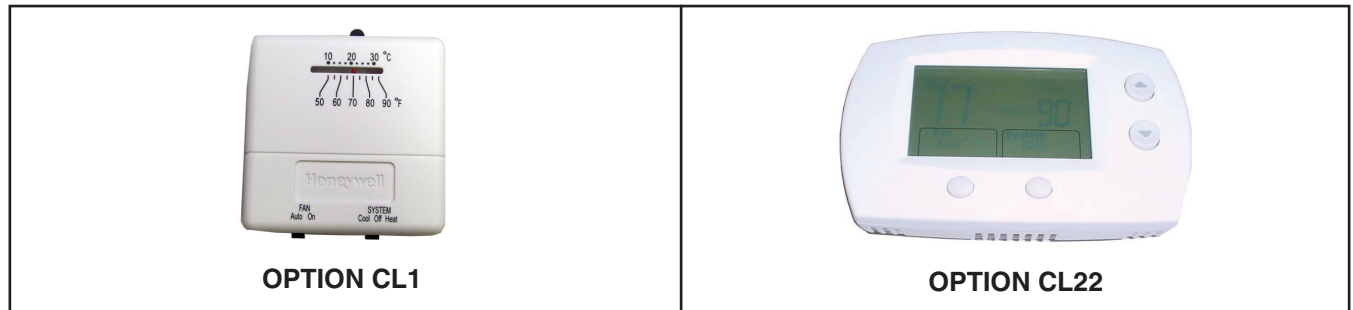


Figure 16. Thermostats

Table 32. Thermostats and Thermostat Accessories			
Option	Component	Description	PN
CL1	Single-stage thermostat	24V, 50–90°F, with fan switch	255350
	Locking cover	Option CM1	257464
CL22	Two-stage thermostat	24V, digital, with fan switch	220630
	Locking cover	Option CM1B	257463

Relay Kits (Options CL31 and CL32)

NOTES:

- There are two relay kit options: CL31 for controlling two heaters and CL32 for controlling up to four heaters.
- The relay kit may be installed on the control heater and on up to four additional heaters.
- Refer to the relay kit manual listed in [Table 1](#) for kit components and installation instructions.

ACCESSORIES/OPTIONS—CONTINUED

Relay Kits (Options CL31 and CL32)—Continued

Table 33. Relay Kits			
UBX, UBZ		UDX, UDZ	
Option*			
CL31	CL32	CL31	CL32
Kit PN			
1041281	1041287	1041288	1041287

*Option CL31 includes components for one control unit and one additional unit. Option CL32 includes components for each additional non-control unit.

Thermostat Bracket Kit (Option CM3)

NOTE: The left side of the bracket (item 4) is secured to the heater using an existing cabinet screw. The right side is secured using the screw (item 5) from the kit.

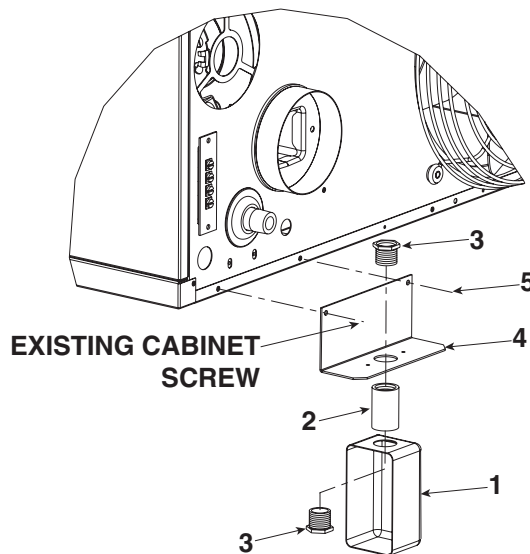


Figure 18. Thermostat Bracket Kit (Refer to Table 34)

Table 34. Thermostat Bracket Kit Components			
Item No.	Component	Thermostat Bracket Kit Package PN	
		197077	
		PN	Quantity
1	Electrical box, 2 × 4	17782	1
2	Coupling, conduit connector, 1/2	7447	1
3	Chase nipple, 1/2	3618	2
4	Bracket	197072	1
5	Screw, self-drilling	195249	1

