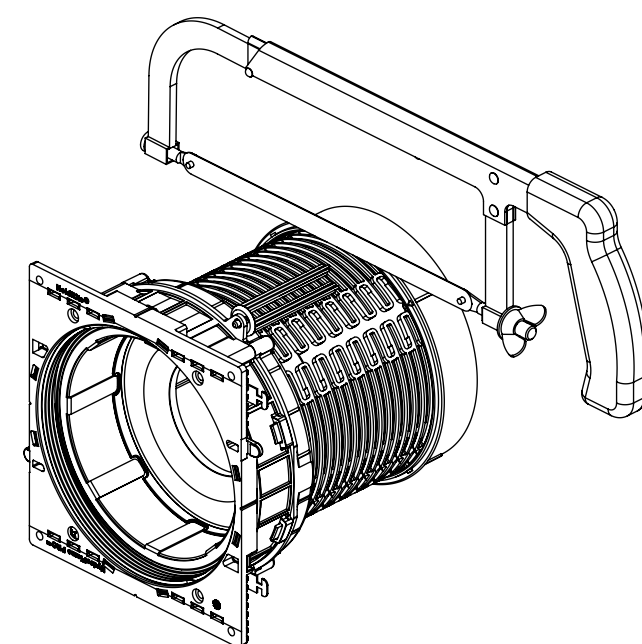
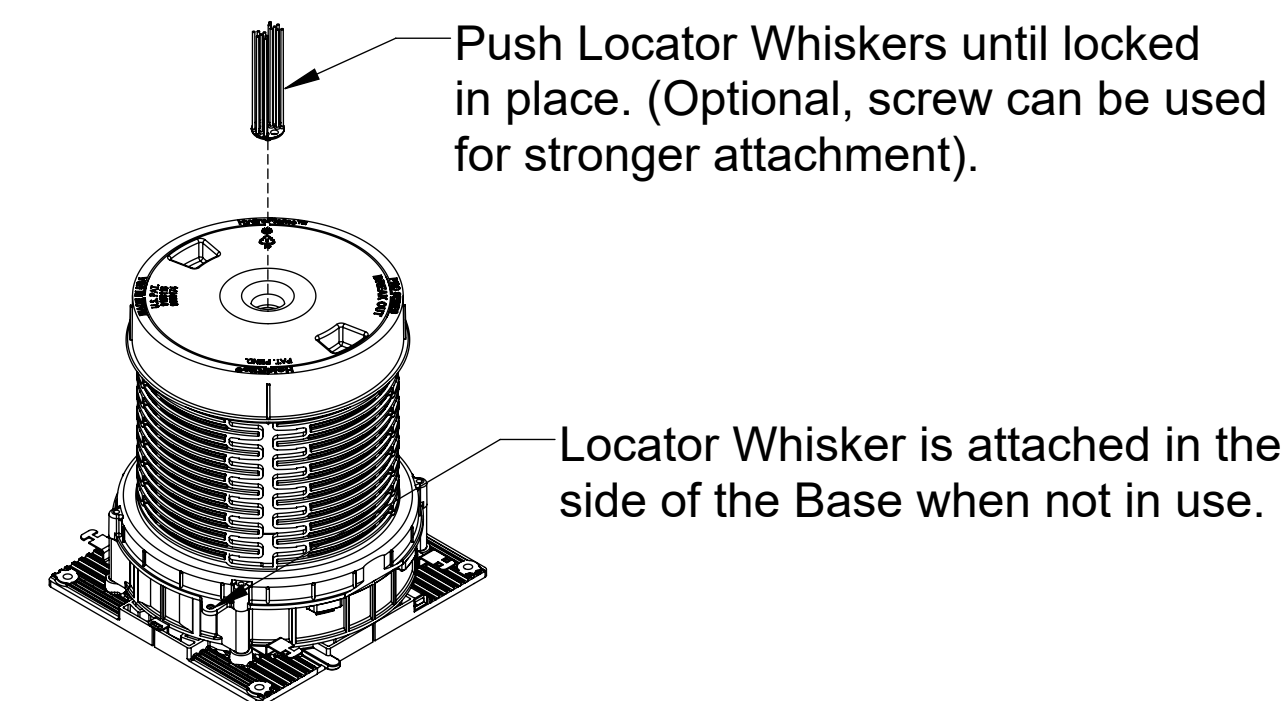


FIRESTOP SLEEVE WITH ADJUSTABLE CAP.
 HFP-P/Mx(B) Sleeve 7-1/4" THRU 8" TALL WITH ADJUSTABLE CAP.
 (Fig. 1)



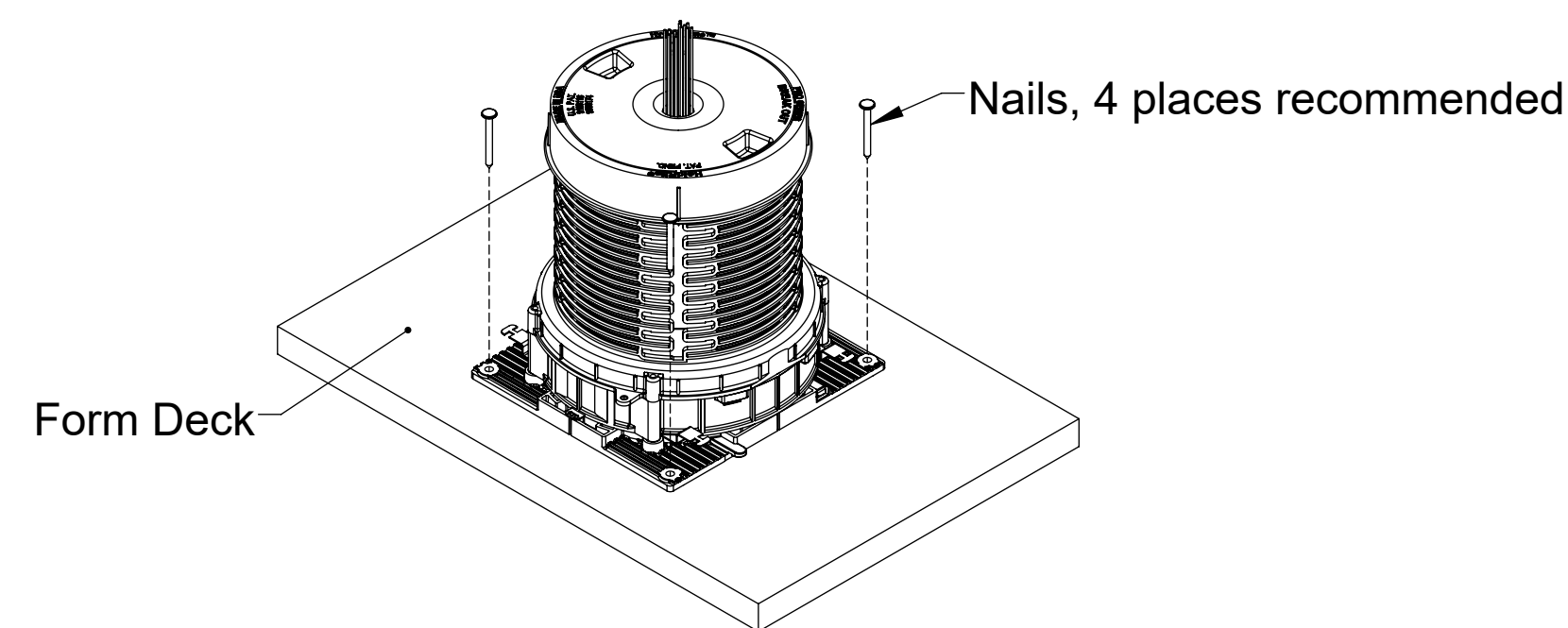
**CUT SLEEVE, IF DESIRED
 HEIGHT IS UNDER 7-1/4".
 CAN BE CUT AS SHORT AS 3-1/2"**
 (Fig. 2)



INSERT WHISKERS.
 (Fig. 3)

Push Locator Whiskers until locked in place. (Optional, screw can be used for stronger attachment).

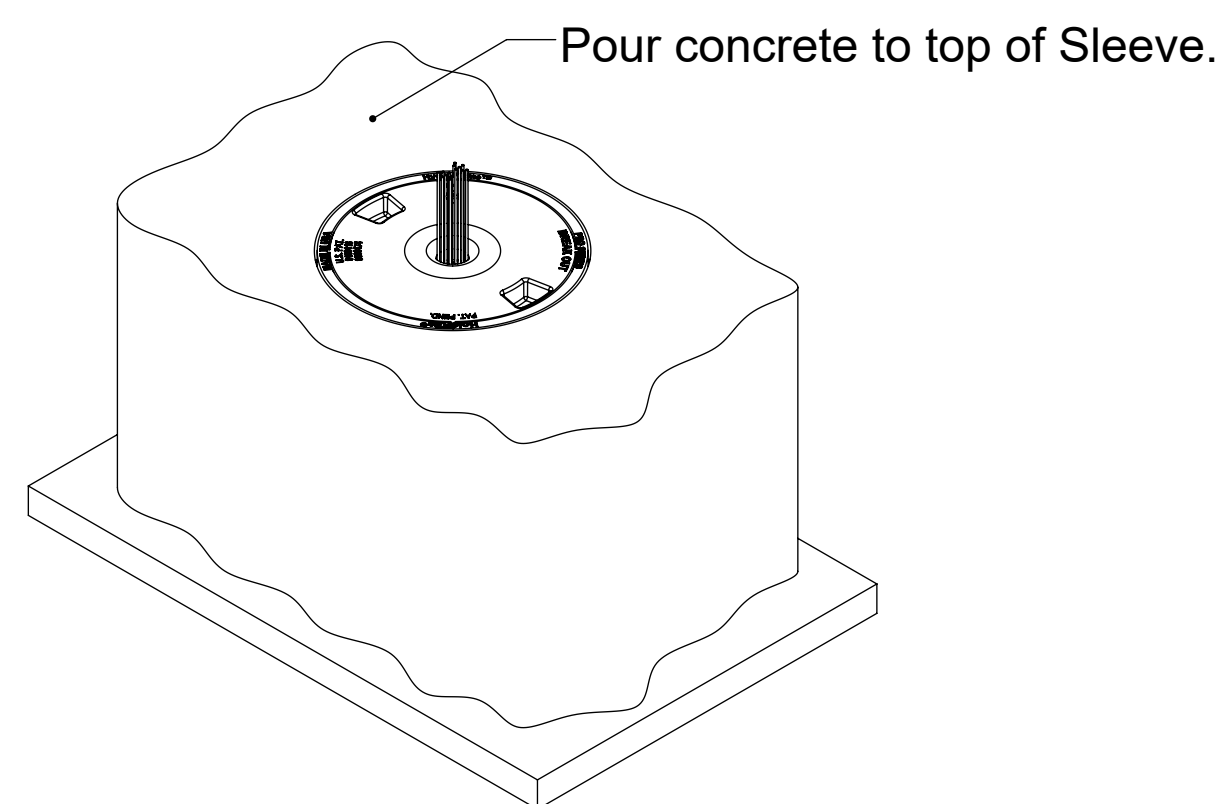
Locator Whisker is attached in the side of the Base when not in use.



NAIL TO FORM DECK.
 (Fig. 4)

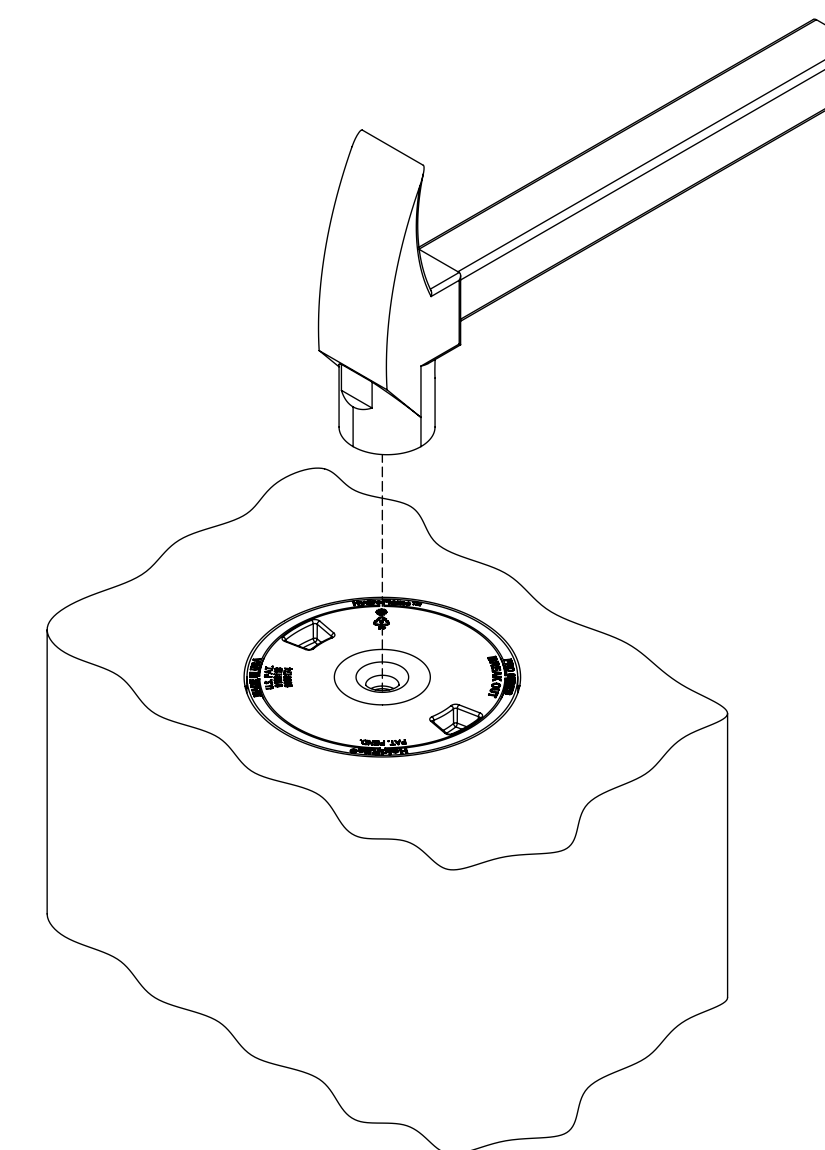
Nails, 4 places recommended

Form Deck

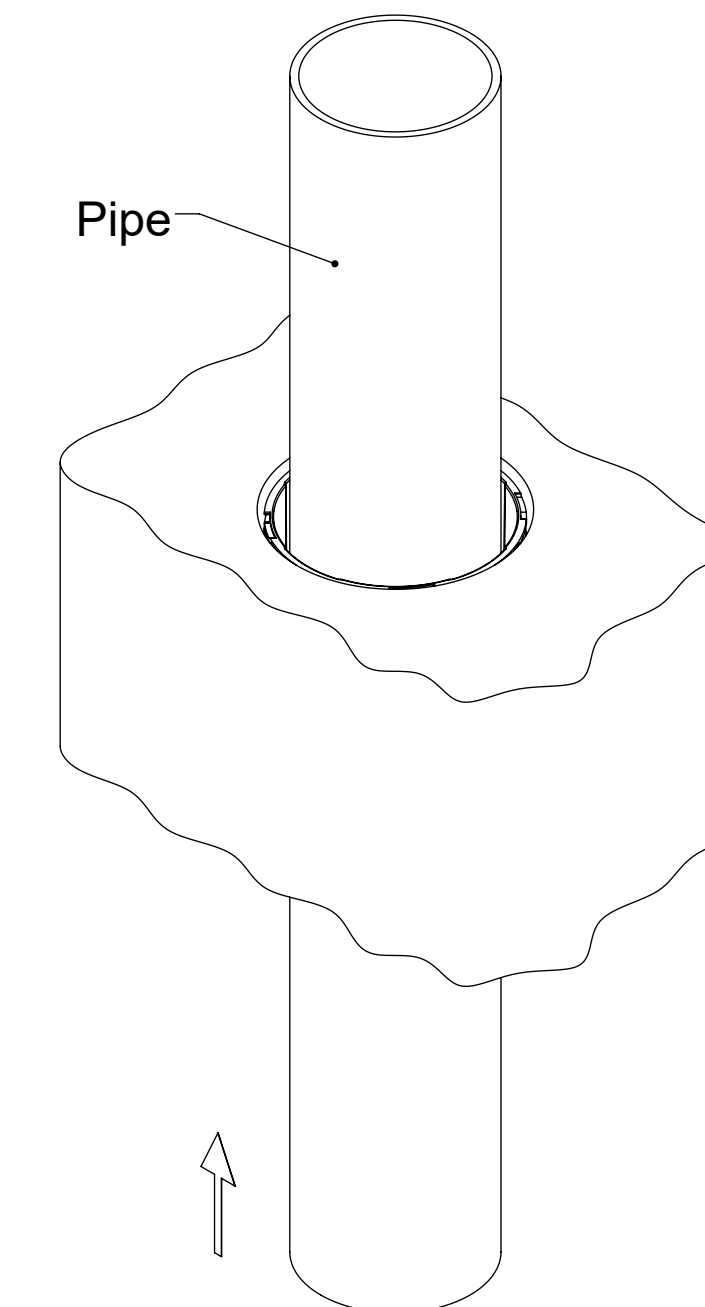


POUR IN CONCRETE.
 (Fig. 5)

Pour concrete to top of Sleeve.



BREAK-OUT CAP WITH HAMMER.
 (Fig. 6)



**INSTALL PIPE FROM BELOW.
 SOAPY WATER EASES PIPE INSERTION.**
 (Fig. 7)

Pipe