

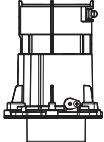

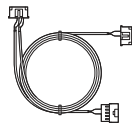
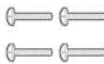
## Navien Common Vent Collar Kit (Back-draft Damper)

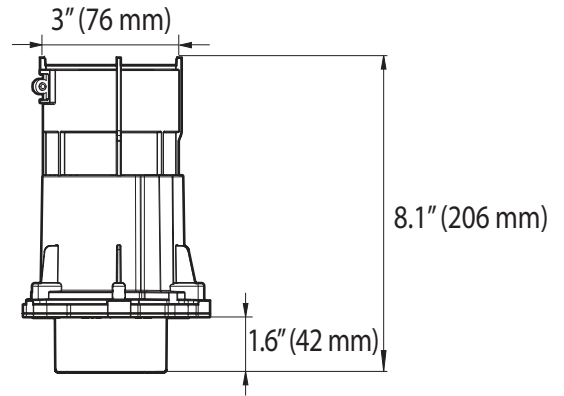
The Navien Common Vent Collar Kit prevents backflow (back-draft) at the exhaust vent while the boiler unit operates.

By closing the exhaust vent as soon as the combustion cycle ends, the Navien Common Vent Collar Kit retains heat in the system for longer periods.

When using a common vent in a cascade system, backflow devices are required to prevent exhaust from entering the building.

### Included Items

Common Vent Collar Kit	
Installation Manual	
Ready-Link communication cable	
Screw (4 ea)	



Part Name	Common Vent Collar Kit
Part No.	30022799A
Material	PP (Polypropylene)

### Maintenance Port

Navien Common Vent Collar Kit has a maintenance port to allow you to easily inspect the operating condition of the damper plate.

