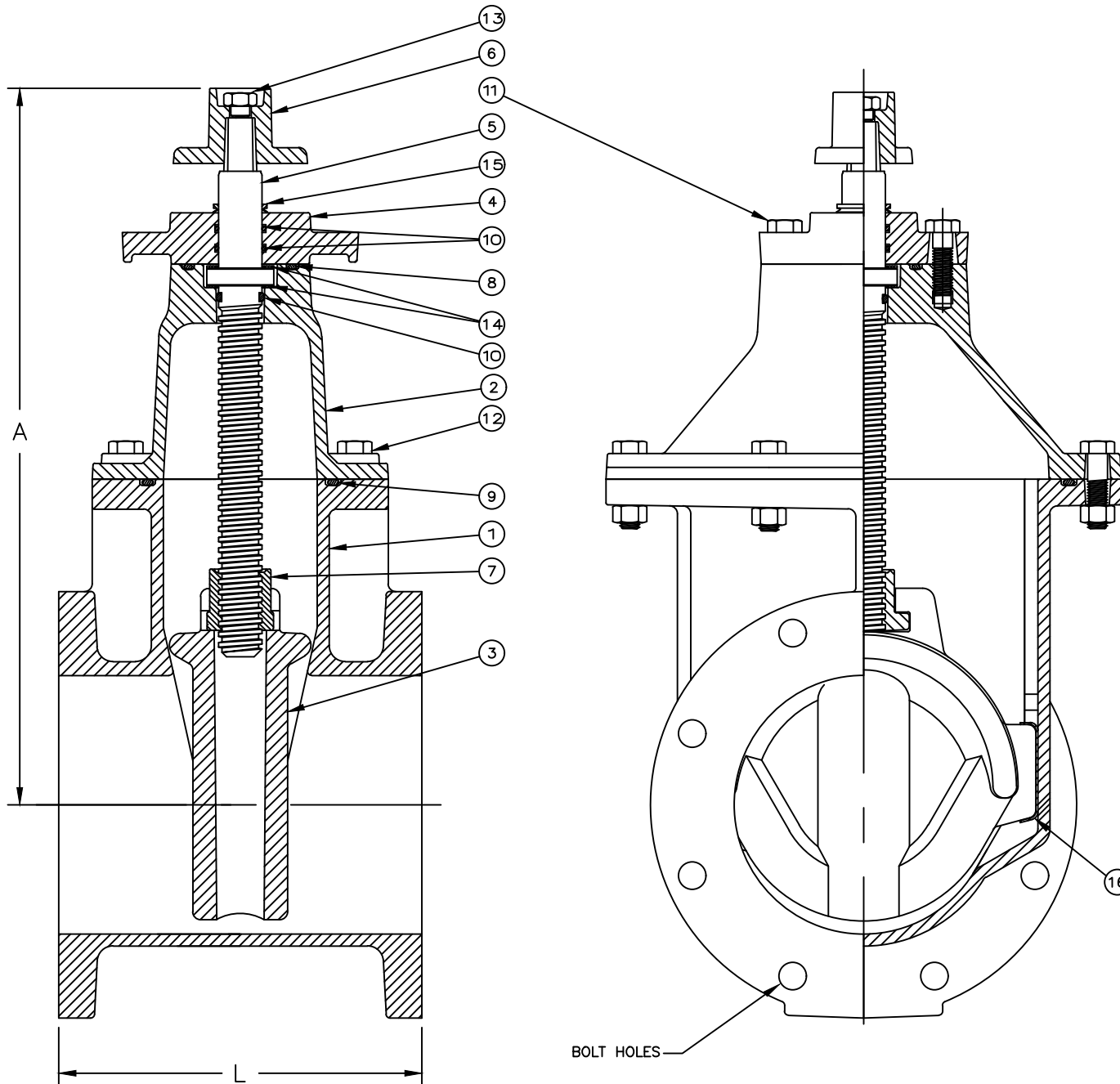


# Resilient Wedge Gate Valve



## Product

Resilient Wedge Gate Valve, Flange x Flange

## Design Features

1. FLANGE END CONNECTIONS IN ACCORDANCE WITH ANSI/AWWA C111/A21.11
2. EJ RW GATE VALVES CONFORM TO:  
AWWA C515  
AWWA C550 (COATING)
3. WORKING PRESSURE = 250 PSI  
TEST PRESSURE = 500 PSI
4. POST INDICATOR VALVES ARE AVAILABLE (4"-12").

## Components

ITEM #	DESCRIPTION	MATERIAL
1	BODY	DUCTILE IRON
2	BONNET	DUCTILE IRON
3	WEDGE	D.I./SYNTHETIC RUBBER
4	SEAL PLATE	DUCTILE IRON
5	STEM	MANGANESE BRONZE
6	OPERATING NUT	CAST IRON
7	STEM NUT	MANGANESE BRONZE
8	O-RING	RUBBER, BUNA-N
9	BODY O-RING	RUBBER, BUNA-N
10	O-RING	RUBBER, BUNA-N
11	HEX CAP SCREW	STAINLESS STEEL
12	HEX CAP SCREW W/NUT	STAINLESS STEEL
13	HEX CAP SCREW	STAINLESS STEEL
14	THRUST WASHER	POLYMER
15	SHAFT SEAL	RUBBER, BUNA-N
16	EAR CAP	POLYMER

## Dimensions

VALVE	A	L	BOLT CIRCLE	# OF HOLES	BLT. HOLE DIA.
3"	13 1/4"	8"	6"	4	3/4"
4"	15"	9"	7 1/2"	8	3/4"
6"	18 9/16"	10 1/2"	9 1/2"	8	7/8"
8"	22 11/16"	11 1/2"	11 3/4"	8	7/8"
10"	27"	13"	14 1/4"	12	1"
12"	31 1/8"	14"	17"	12	1"
14"	35 1/4"	17"	18 3/4"	12	1 1/8"
16"	39 1/2"	17"	21 1/4"	16	1 1/8"

## Drawing Revision

Designer: PFB 11/21/13

Revised By: MWP 11/18/20

## Disclaimer

Weights (lbs./kg) dimensions (inches/mm) and drawings provided for your guidance. We reserve the right to modify specifications without prior notice.

CONFIDENTIAL: This drawing is the property of EJ GROUP, Inc., and embodies confidential information, registered marks, patents, trade secret information, and/or know how that is the property of EJ GROUP, Inc. Copyright © 2020 EJ GROUP, Inc. All rights reserved.

## Contact

800 626 4653  
ejco.com



# 4" Resilient Wedge Gate Valve FE 2" Operating Nut OR

**Product: 2300410**

## GENERAL

Product Type: Valve  
Specialty Series: FlowMaster®  
Classic Series: RW

## CHARACTERISTICS

Opening Direction: Open right - (clockwise)  
Valve Size: 4  
End Connection: Flanged End x Flanged End  
Valve Stem Material: Manganese Bronze

