

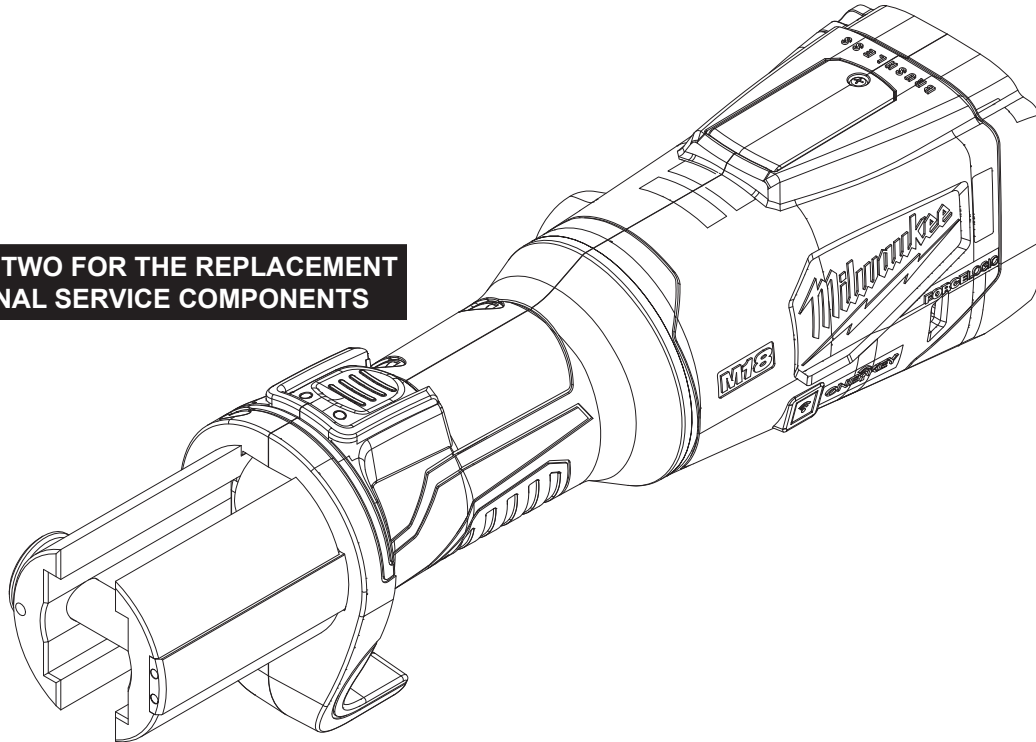


SERVICE PARTS LIST

BULLETIN NO.
54-00-2922

| SPECIFY CATALOG NO. AND SERIAL NO. WHEN ORDERING PARTS | | | REVISED BULLETIN | DATE |
|--|---------|---------------------|--------------------|-----------|
| M18™ FORCELOGIC™ Brushless Press Tool w/ One-Key™ | | | | Mar. 2022 |
| CATALOG NO. | 2922-20 | STARTING SERIAL NO. | WIRING INSTRUCTION | |
| | | L38A | | |

SEE PAGE TWO FOR THE REPLACEMENT
OF EXTERNAL SERVICE COMPONENTS



**Due to the complexities of One-Key™ electronics
and/or
Hydraulic/Pneumatic construction in this tool,
contact the following for service related questions and issues:**

e-Service at: www.milwaukeetool.com/e-service

or

questions, please call 1.800.SAWDUST (1.800.729.3878)

or

Visit www.milwaukeetool.com to find your closest
Milwaukee authorized Hydraulic repair center

or

Return it to a MILWAUKEE *factory* Service Center location, freight prepaid and insured.
A copy of the proof of purchase should be included with the return product.

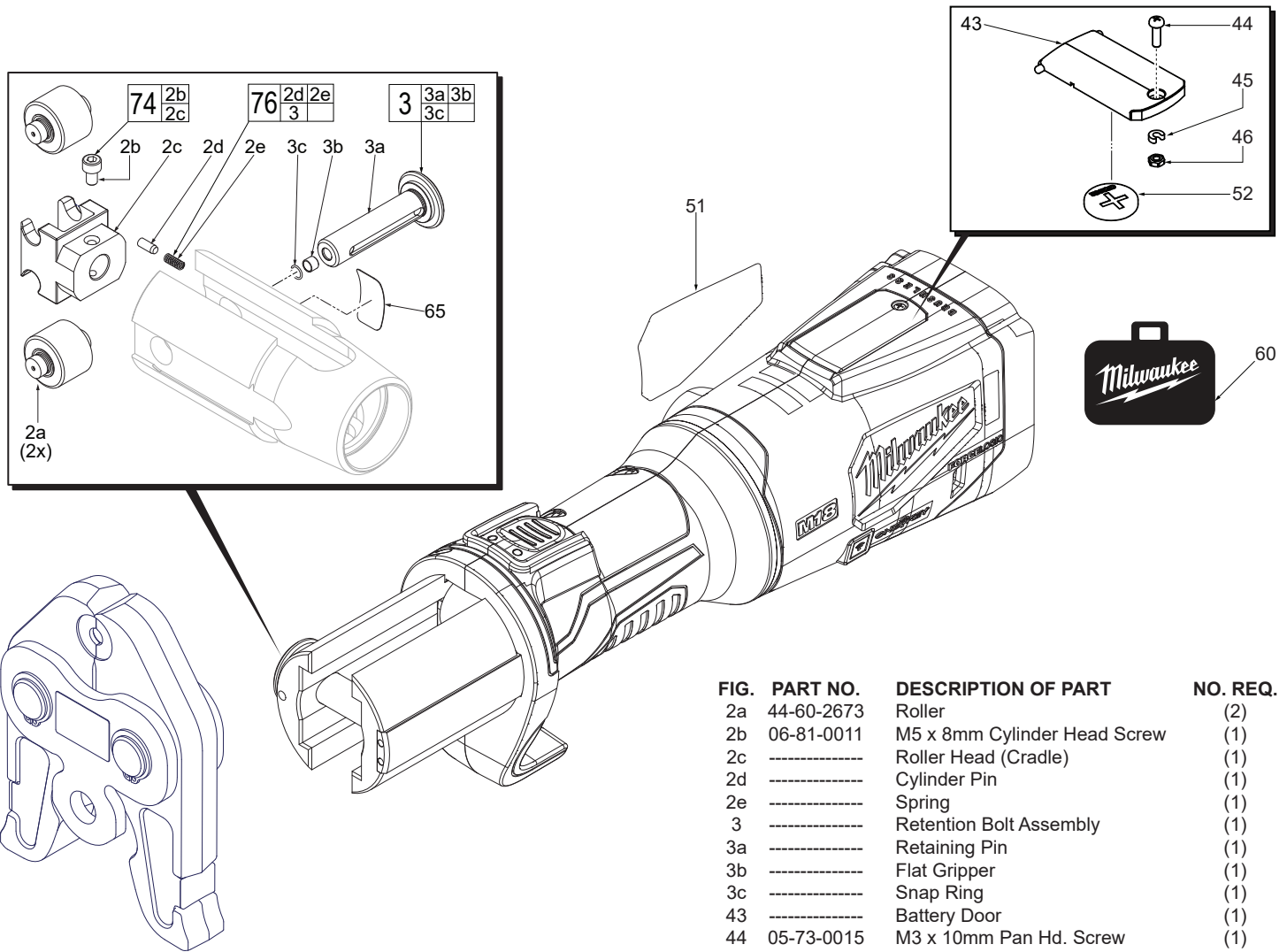
If you have questions please contact Milwaukee Product Service at:

Product Technical Support via phone at: 262.783.8642

or

Via email at: METProductSupport@milwaukeetool.com

Disassembly is not recommended and could void the warranty.



STREAMLINE™ ACR PRESS JAWS
for use with M18 FORCELOGIC™ PRESS TOOLS

| FIG. | PART NO. | DESCRIPTION OF PART | NO. REQ. |
|------|-------------|---|----------|
| 90 | 49-16-2661M | Streamline™ Press Jaw Kit (Cont. 91-98) | (1) |
| 91 | 42-55-8986 | Blow Molded Carrying Case- for Streamline™ Jaws Only | (1) |
| | 42-55-8985 | Blow Molded Carrying Case- for Tool and Streamline Jaw Kit | (1) |
| 92 | 49-16-2650M | 1/4" Streamline™ Jaw | (1) |
| 93 | 49-16-2652M | 3/8" Streamline™ Jaw | (1) |
| 94 | 49-16-2653M | 1/2" Streamline™ Jaw | (1) |
| 95 | 49-16-2654M | 5/8" Streamline™ Jaw | (1) |
| 96 | 49-16-2655M | 3/4" Streamline™ Jaw | (1) |
| 97 | 49-16-2656M | 7/8" Streamline™ Jaw | (1) |
| 98 | 43-46-0014 | Crimp/Depth Gauge | (1) |

RLS® ACR PRESS JAWS
for use with M18 FORCELOGIC™ PRESS TOOLS

| FIG. | PART NO. | DESCRIPTION OF PART | NO. REQ. |
|------|-------------|---|----------|
| 100 | 49-16-2662R | RLS® Press Jaw Kit (Contains 101-109) | (1) |
| 101 | 42-55-0106 | Blow Molded Carrying Case - for RLS® Jaws Only | (1) |
| 102 | 49-16-2650R | 1/4" RLS® Jaw | (1) |
| 103 | 49-16-2652R | 3/8" RLS® Jaw | (1) |
| 104 | 49-16-2653R | 1/2" RLS® Jaw | (1) |
| 105 | 49-16-2654R | 5/8" RLS® Jaw | (1) |
| 106 | 49-16-2655R | 3/4" RLS® Jaw | (1) |
| 107 | 49-16-2656R | 7/8" RLS® Jaw | (1) |
| 108 | 49-16-2657R | 1-1/8" RLS® Jaw | (1) |
| 109 | 42-36-0052 | Crimp/Depth Gauge | (1) |

| FIG. | PART NO. | DESCRIPTION OF PART | NO. REQ. |
|------|------------|-------------------------------------|----------|
| 2a | 44-60-2673 | Roller | (2) |
| 2b | 06-81-0011 | M5 x 8mm Cylinder Head Screw | (1) |
| 2c | ----- | Roller Head (Cradle) | (1) |
| 2d | ----- | Cylinder Pin | (1) |
| 2e | ----- | Spring | (1) |
| 3 | ----- | Retention Bolt Assembly | (1) |
| 3a | ----- | Retaining Pin | (1) |
| 3b | ----- | Flat Gripper | (1) |
| 3c | ----- | Snap Ring | (1) |
| 43 | ----- | Battery Door | (1) |
| 44 | 05-73-0015 | M3 x 10mm Pan Hd. Screw | (1) |
| 45 | 44-86-0111 | 3mm Retainer | (1) |
| 46 | ----- | 3mm Hex Nut | (1) |
| 51 | 12-20-0326 | Service Nameplate | (1) |
| 52 | ----- | 3V Coin Cell Battery (CR2032) | (1) |
| 60 | 42-55-2673 | Blow Molded Carrying Case-Tool Only | (1) |
| 65 | 10-20-5416 | Warning Sticker | (1) |
| 74 | 14-46-0272 | Roller Head Service Kit | (1) |
| 76 | 14-46-0276 | Retention Bolt Service Kit | (1) |