

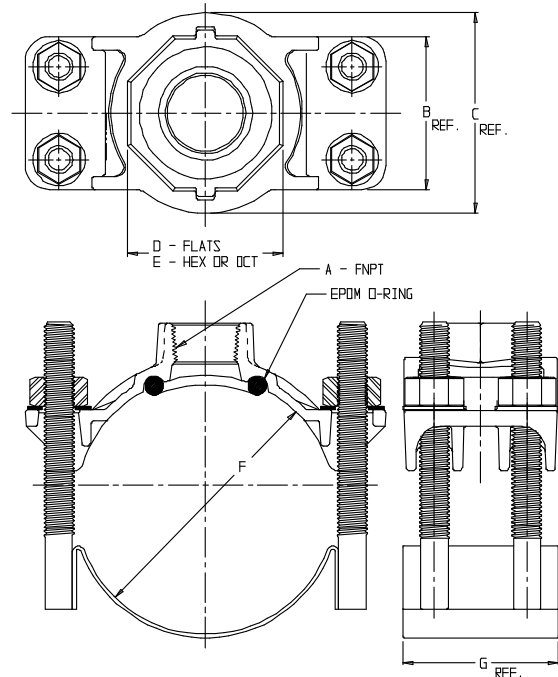
SUBMITTAL DATA SHEET

SS Strap Saddle - 3846

PVC x FNPT



| MODEL | SIZE | A | B | C | D | E | F | G | PVC TYPE |
|-------|------------|-------|------|------|------|-----|-------|------|----------|
| 3846 | 4 X 3/4 | 3/4 | 3.19 | 3.19 | 1.69 | HEX | 4.80 | 3.00 | C900 |
| 3846 | 4 X 1 | 1 | 3.19 | 3.19 | 1.69 | HEX | 4.80 | 3.00 | C900 |
| 3846 | 4 X 1 1/2 | 1 1/2 | 3.19 | 4.19 | 3.10 | OCT | 4.80 | 3.00 | C900 |
| 3846 | 4 X 2 | 2 | 3.19 | 4.19 | 3.10 | OCT | 4.80 | 3.00 | C900 |
| 3846 | 6 X 3/4 | 3/4 | 3.19 | 3.19 | 1.69 | HEX | 6.90 | 3.00 | C900 |
| 3846 | 6 X 1 | 1 | 3.19 | 3.19 | 1.69 | HEX | 6.90 | 3.00 | C900 |
| 3846 | 6 X 1 1/2 | 1 1/2 | 3.19 | 4.19 | 3.10 | OCT | 6.90 | 3.00 | C900 |
| 3846 | 6 X 2 | 2 | 3.19 | 4.19 | 3.10 | OCT | 6.90 | 3.00 | C900 |
| 3846 | 8 X 3/4 | 3/4 | 3.19 | 3.19 | 1.69 | HEX | 9.05 | 3.00 | C900 |
| 3846 | 8 X 1 | 1 | 3.19 | 3.19 | 1.69 | HEX | 9.05 | 3.00 | C900 |
| 3846 | 8 X 1 1/2 | 1 1/2 | 3.19 | 4.19 | 3.10 | OCT | 9.05 | 3.00 | C900 |
| 3846 | 8 X 2 | 2 | 3.19 | 4.19 | 3.10 | OCT | 9.05 | 3.00 | C900 |
| 3846 | 10 X 3/4 | 3/4 | 3.19 | 3.19 | 1.69 | HEX | 11.10 | 3.00 | C900 |
| 3846 | 10 X 1 | 1 | 3.19 | 3.19 | 1.69 | HEX | 11.10 | 3.00 | C900 |
| 3846 | 10 X 1 1/2 | 1 1/2 | 3.19 | 4.19 | 3.10 | OCT | 11.10 | 3.00 | C900 |
| 3846 | 10 X 2 | 2 | 3.19 | 4.19 | 3.10 | OCT | 11.10 | 3.00 | C900 |
| 3846 | 12 X 3/4 | 3/4 | 3.19 | 3.19 | 1.69 | HEX | 13.20 | 3.00 | C900 |
| 3846 | 12 X 1 | 1 | 3.19 | 3.19 | 1.69 | HEX | 13.20 | 3.00 | C900 |
| 3846 | 12 X 1 1/2 | 1 1/2 | 3.19 | 4.19 | 3.10 | OCT | 13.20 | 3.00 | C900 |
| 3846 | 12 X 2 | 2 | 3.19 | 4.19 | 3.10 | OCT | 13.20 | 3.00 | C900 |
| 3846 | 18 X 3/4 | 3/4 | 4.93 | 5.00 | 3.46 | OCT | 19.50 | 5.00 | C905 |
| 3846 | 18 X 1 | 1 | 4.93 | 5.00 | 3.46 | OCT | 19.50 | 5.00 | C905 |
| 3846 | 18 X 1 1/2 | 1 1/2 | 4.93 | 5.00 | 3.46 | OCT | 19.50 | 5.00 | C905 |
| 3846 | 18 X 2 | 2 | 4.93 | 5.00 | 3.46 | OCT | 19.50 | 5.00 | C905 |
| 3846 | 30 X 3/4 | 3/4 | 4.93 | 5.00 | 3.46 | OCT | 32.00 | 5.00 | C905 |
| 3846 | 30 X 1 | 1 | 4.93 | 5.00 | 3.46 | OCT | 32.00 | 5.00 | C905 |
| 3846 | 30 X 1 1/2 | 1 1/2 | 4.93 | 5.00 | 3.46 | OCT | 32.00 | 5.00 | C905 |
| 3846 | 30 X 2 | 2 | 4.93 | 5.00 | 3.46 | OCT | 32.00 | 5.00 | C905 |



** ALL STAINLESS STEEL STRAP, ONE STRAP (WITH 4 STUDS WELDED ON) PER ASSEMBLY.

DRAWING MAY NOT RESEMBLE ACTUAL SADDLE CONFIGURATION

SUBMITTAL INFORMATION

- Manufactured in compliance with ANSI/AWWA C800 (latest revision)
- Brass components conform to ASTM B62 and ASTM B584, UNS C83600 -85-5-5-5 (latest revision)
- Certified to NSF/ANSI 61
- 304L Stainless Steel strap(s) and studs. Stainless steel nuts (PTFE coated) and washers
- EPDM o-ring
- Pipe and tap size, and thread type identified on saddle
- Outlet boss with large wrench flats



A.Y. McDonald Mfg. CO.
P.O. Box 508
Dubuque, IA 52004-508

Toll Free: 1-800-292-2737
Fax: 1-800-832-9296
Hours: 7:00 a.m. – 5:00 p.m., CST

sales@aymcdonald.com
www.aymcdonald.com

A.Y. McDonald considers the information on this assembly drawing correct when published. Item and option availability, including specifications, are subject to change without notice.

Submitted by: