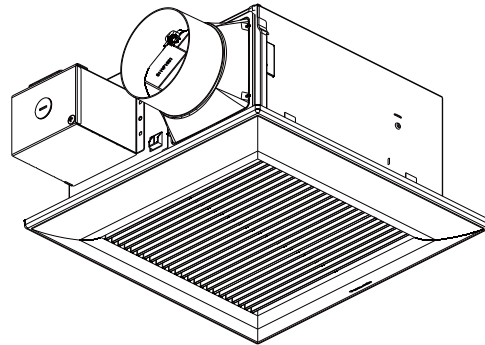


Service Manual

Ventilating Fan
(North America Market)



FV-0511VF1

⚠ WARNING

This service information is designed for experienced repair technicians only and is not designed for use by the general public. It does not contain warnings or cautions to advise non-technical individuals of potential dangers in attempting to service a product. Products powered by electricity should be serviced or repaired only by experienced professional technicians. Any attempt to service or repair the product or products dealt with in this service information by anyone else could result in serious injury or death.

IMPORTANT SAFETY NOTICE

There are special components used in this equipment which are important for safety. These parts are marked by ⚠ in the Schematic Diagrams, Exploded Views and Replacement Parts List. It is essential that these critical parts should be replaced with manufacturer's specified parts to prevent shock, fire or other hazards. Do not modify the original design without the manufacturer's approval. Please have a static electricity depletion process in place before handling these components.. Please use gloves when handling PCB parts during the repair process..

CONTENTS	PAGE
1.Specification-----	1
2.Parts Identification-----	2 ~ 4
3.Wiring Diagram-----	5
4.Parts List-----	6

1. Specification

■ Specification for base Model fans

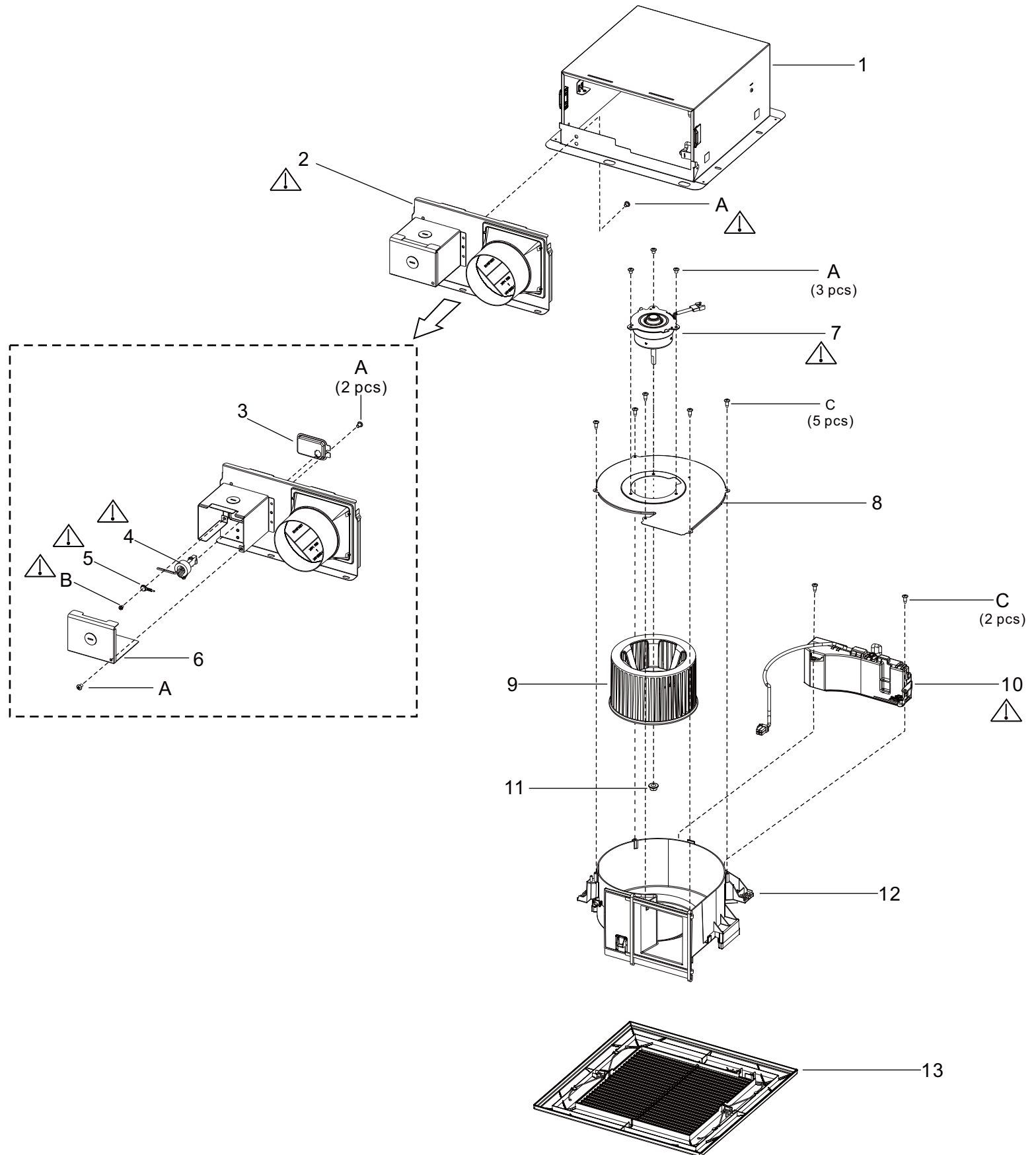
Model No.	Air direction	Voltage (V)	Frequency (Hz)	Duct diameter (inches)	Air volume at 0.1"WG (CFM)	Noise (sones)	Speed (rpm)	Power (W)	Weight lb.(kg)
FV-0511VF1	Exhaust	120	60	4	50	<0.3	756	4.2	9.5(4.3)
					80	<0.3	821	6.2	
					110	0.8	957	11.0	

HVI Certified performance based on HVI Procedures 915, 916, and 920.

2. Parts Identification

FV-0511VF1

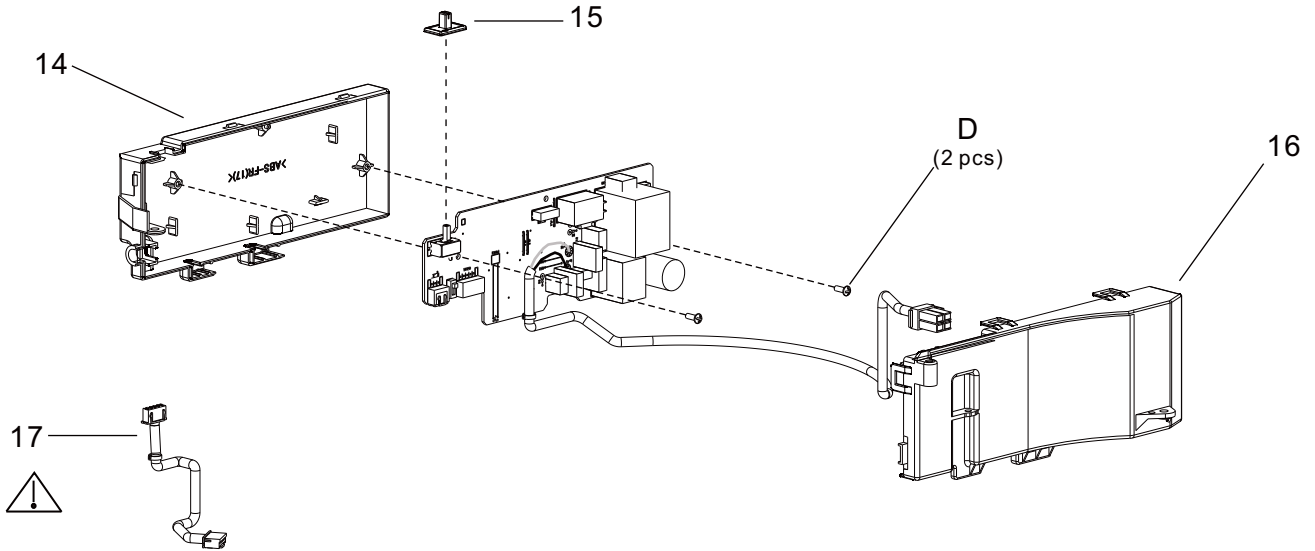
Main Body Section



2.Parts Identification

FV-0511VF1

Main PCB Section



Main Label

Secure screw tightly for ground continuity
 Vissez fermement pour la continuité de la mise à la terre

18



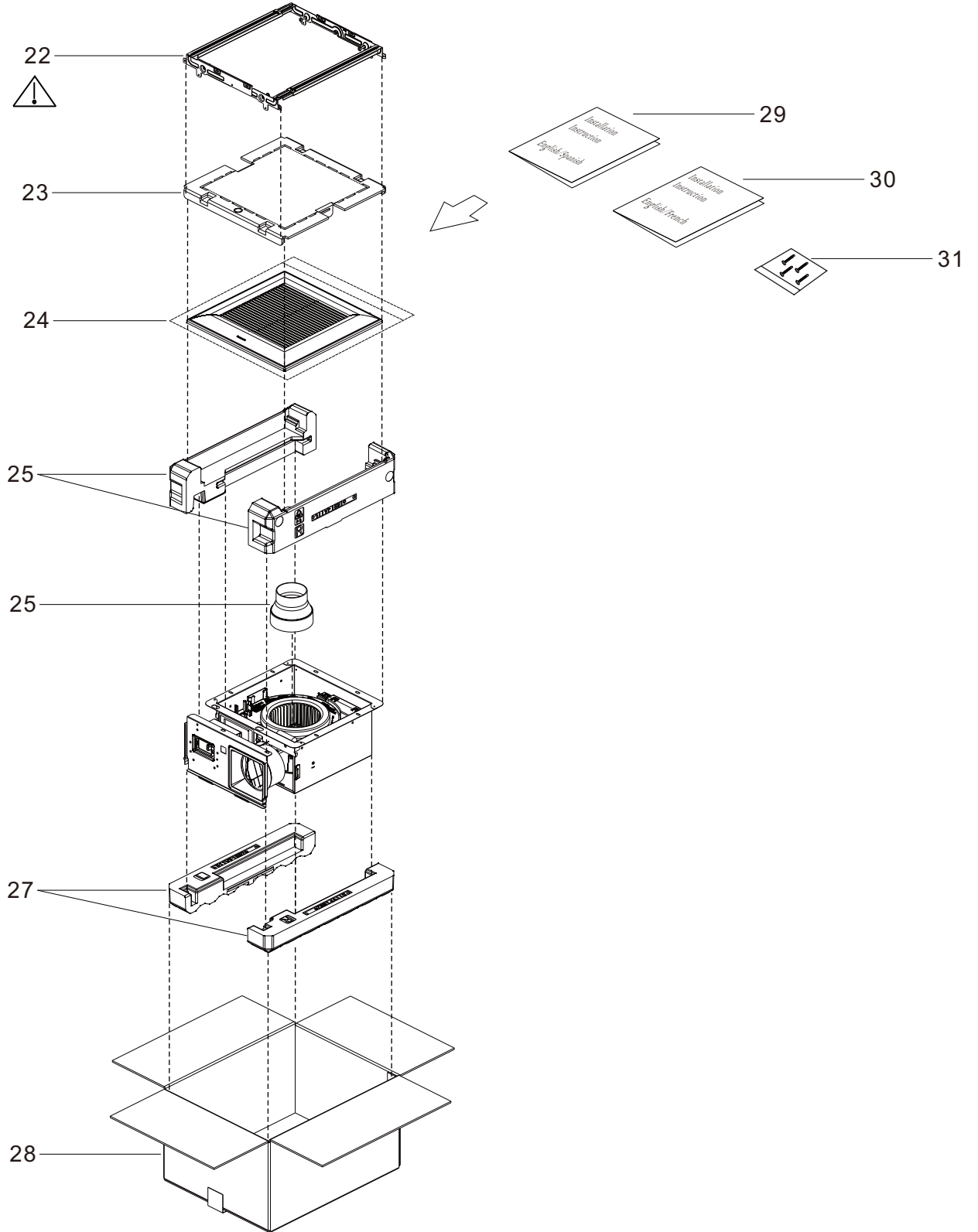
21



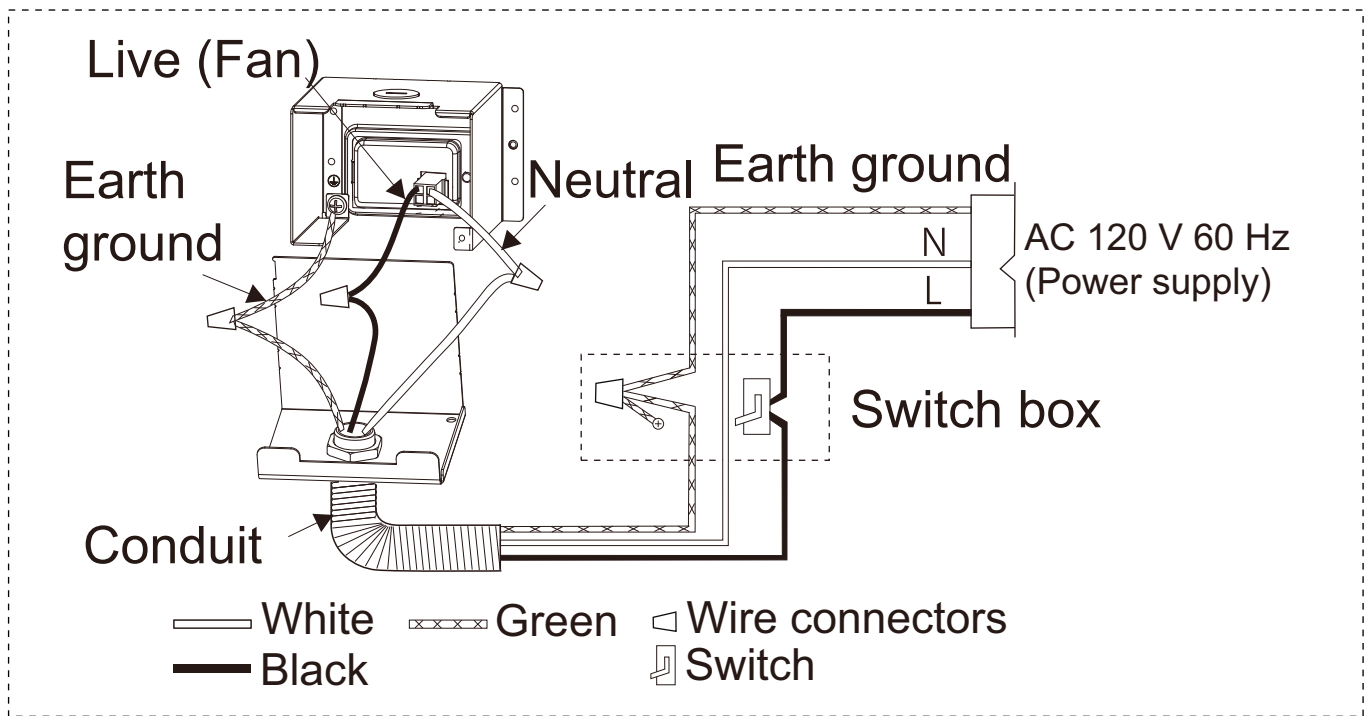
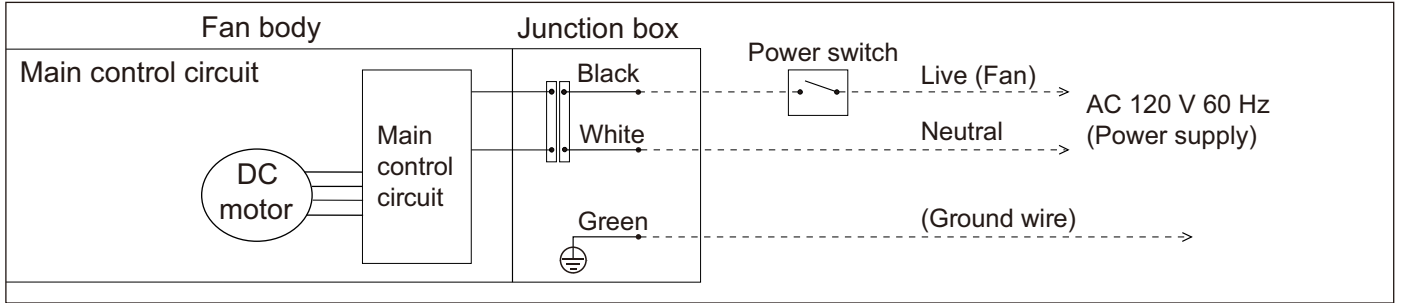
2. Parts Identification

FV-0511VF1

Packing Section









3. Wiring Diagram




4. Parts List

FV-0511VF1

Main Body Section

No.	Part No.	Part Name	Q'ty	Remark
1	FFV511VF1900	Frame Assembly	1	
2	FFV511VF1910	Adapter Assembly	1	
3	FFV0900052S	Connector Plate	1	
4	FFV511VF1301	Connector Assembly (V)	1	
5	FFV3450010S	Earth Lead wire	1	
6	FFV2800027S	Junction Cover	1	
7	FFV511VF1M2	Motor	1	
8	FFV511VF1904	Motor Support	1	
9	FFV511VF1802	Blade	1	
10	FFV11VF15000	Main PCB Section	1	
11	FFV7020021S	Nut	1	
12	FFV511VF1906	Casing section	1	
13	FFV3400146S	Grill Assembly	1	
A	FFVXTT4-8FFJ	Screw (ST4-8)	7	
B	FFVXYM4DC8BN	Screw w/washer(M4-8)	1	
C	FFV7000089S	Screw (ST4-12)	7	


Main PCB Section

No.	Part No.	Part Name	Q'ty	Remark
14	FFV511VF1991	Main PCB Box	1	
15	FFV510VS1M9	Speed Switch	1	
16	FFV510VS1992	Main PCB Cover	1	
17	FFV511VF1321	Motor Lead Wire	1	
D	FFVXTN268GFJ	Screw	1	

Main Label

No.	Part No.	Part Name	Q'ty	Remark
18	FFV51VHL1051	Instruction Label	1	
19	FFV0810011S	Caution Label	1	
20	FFV2260003S	Holograph label	1	
21	FFV511VF1050	Name Plate	1	

Packing Section

No.	Part No.	Part Name	Q'ty	Remark
22	FFV11QCL1920	Hanger Assy	1	
23	FFV511VF1450	Louver Pad Assy	1	
24	FFV4650016S	PolyCover with Print	1	
25	FFV511VF1891	Top Pad	1	
26	FFV511VF1922	Adapter Connector	1	
27	FFV511VF1892	Bottom Pad	1	
28	FFV511VF1400	Packing Case Assy	1	
29	FFV511VF1420	Installation Inst (ES)	1	
30	FFV511VF1421	Installation Inst (EF)	1	
31	FFV11KSL1M031A	Accesory A	1	