

4

3

2

1

D

D

C

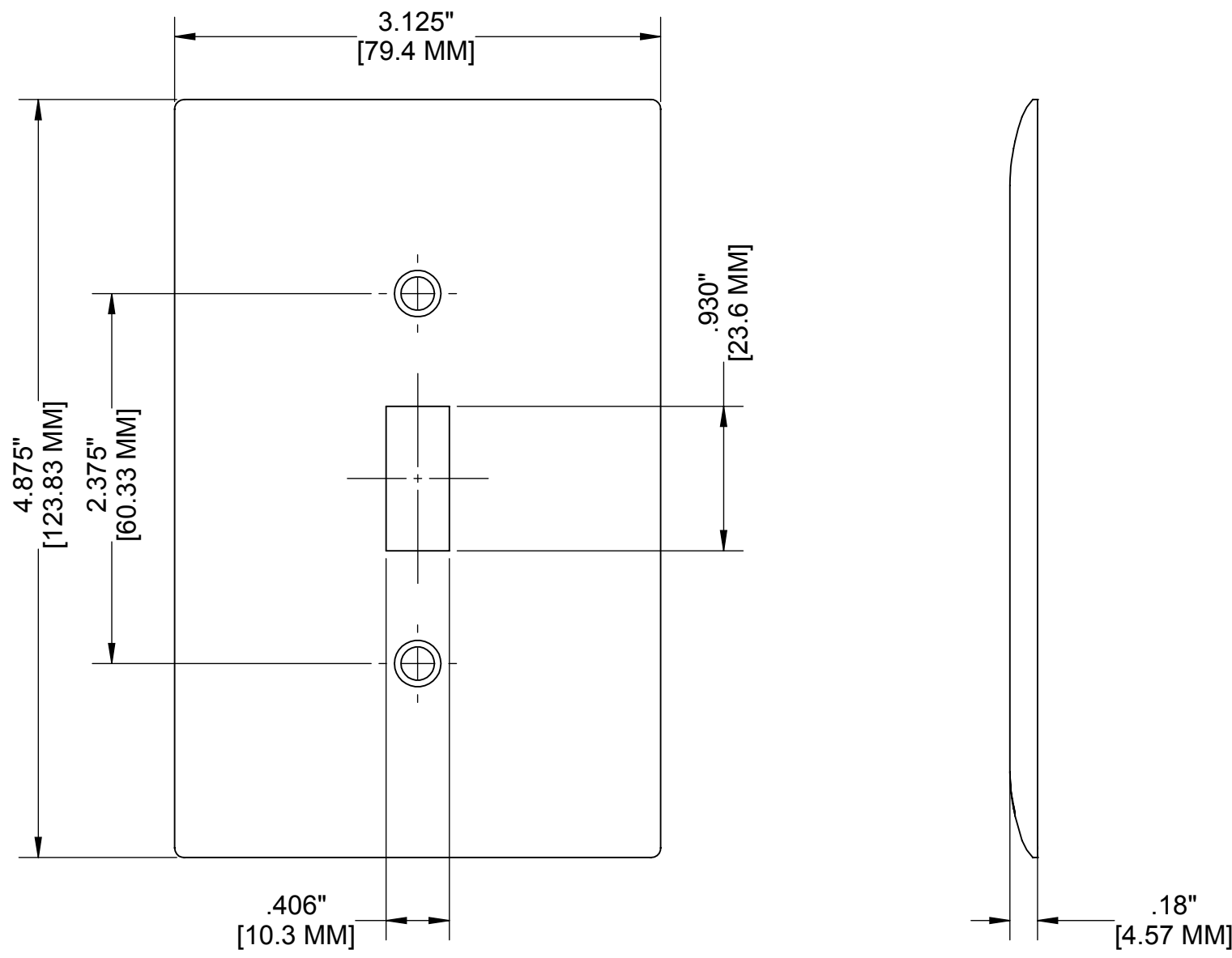
C

B

B

A

A



CATALOG VIEWS

1 GANG MID-SIZED TOGGLE WALLPLATE

STATUS: In Work (Express)					<p>The information in this document is the exclusive PROPRIETARY property of LEVITON MFG. CO., INC. It is disclosed with the understanding that acceptance or review by the recipient constitutes an undertaking by the recipient: (1) to hold this information in strict confidence. (2) not to disclose, duplicate, copy, or use the information, in whole or in part, for any purpose other than that for which disclosed. Copyright 2016. Unpublished. All Rights Reserved.</p>	UNLESS OTHERWISE SPECIFIED: DO NOT SCALE DRAWING. ALL DIMENSIONS ARE IN INCHES. ALL ANGLES ARE IN DEGREES.		TITLE: 1GANG MID-SIZED TOGGLE SS WALLPLATE				
REV.	DATE	ECO NUMBER	CHGD	APVD		TOLERANCES		DWN BY	PR	04/25/2018	ENGRG	-
2	-	REVISED	-	-	INCH	METRIC	CHK BY	-	-	MFG	-	-
1	05/25/2018	-	PR	-	.XX ± .01	.X ± .2 mm	THIRD ANGLE PROJECTION		DWG NO. ORB6318-D01			
-	-	-	-	-	.XXX ± .005	.XX ± .1 mm			SIZE	PROJECT NO. PROJ-03328	REV	
-	-	-	-	-	ANGLES: ± 1/2°		ALL PRINTED COPIES ARE UNCONTROLLED		C	SCALE:1:1	SHEET 2 OF 2	2

4

3

2

1