

MOEN®

ORDER BY PART NUMBER

Illustrated Parts

CIA™

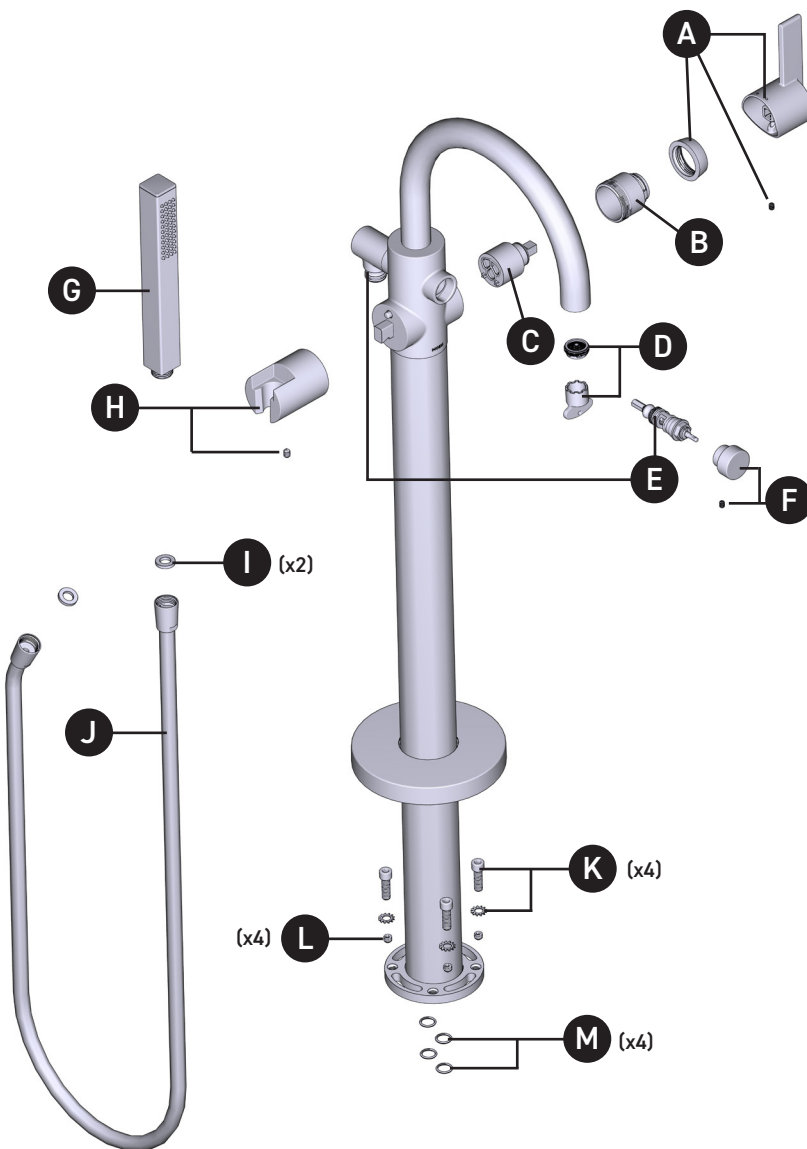
Single Handle Single Riser Floor
Mounted Tub Filler Faucet

MODEL

615
615BN
615BG
615BL

FINISH

Chrome
Brushed Nickel
Brushed Gold
Matte Black



ID	Kit Description	Kit Number	Finish
A	Handle Kit	201905	Chrome
		201905BN	Brushed Nickel
		201905BG	Brushed Gold
		201905BL	Matte Black
B	Cartridge Nut	195809	N/A
C	Cartridge Kit	252005	N/A
D	Stream Straightener kit (Includes Tool)	149117	N/A
E	Diverter Kit (Includes Tool)	196453	Chrome
		196453BN	Brushed Nickel
		196453BG	Brushed Gold
		196453BL	Matte Black
F	Diverter Knob (Includes Set Screw)	196452	Chrome
		196452BN	Brushed Nickel
		196452BG	Brushed Gold
		196452BL	Matte Black
G	Hand Shower	189575	Chrome
		189575BN	Brushed Nickel
		189575BG	Brushed Gold
		189575BL	Matte Black
H	Hand Shower Cradle Kit	201906	Chrome
		201906BN	Brushed Nickel
		201906BG	Brushed Gold
		201906BL	Matte Black
I	Screen Washer (x2)	101199	N/A
J	Hose	155748	Chrome
		155748BN	Brushed Nickel
		155748BG	Brushed Gold
		155748BL	Matte Black
K	Mounting Screw Kit (x4)	259417	N/A
L	Leveling Screw Kit (x4)	259418	N/A
M	O-Ring Kit (x4) (Includes O-Rings and Grease Kit)	259424	N/A

