

MOEN®

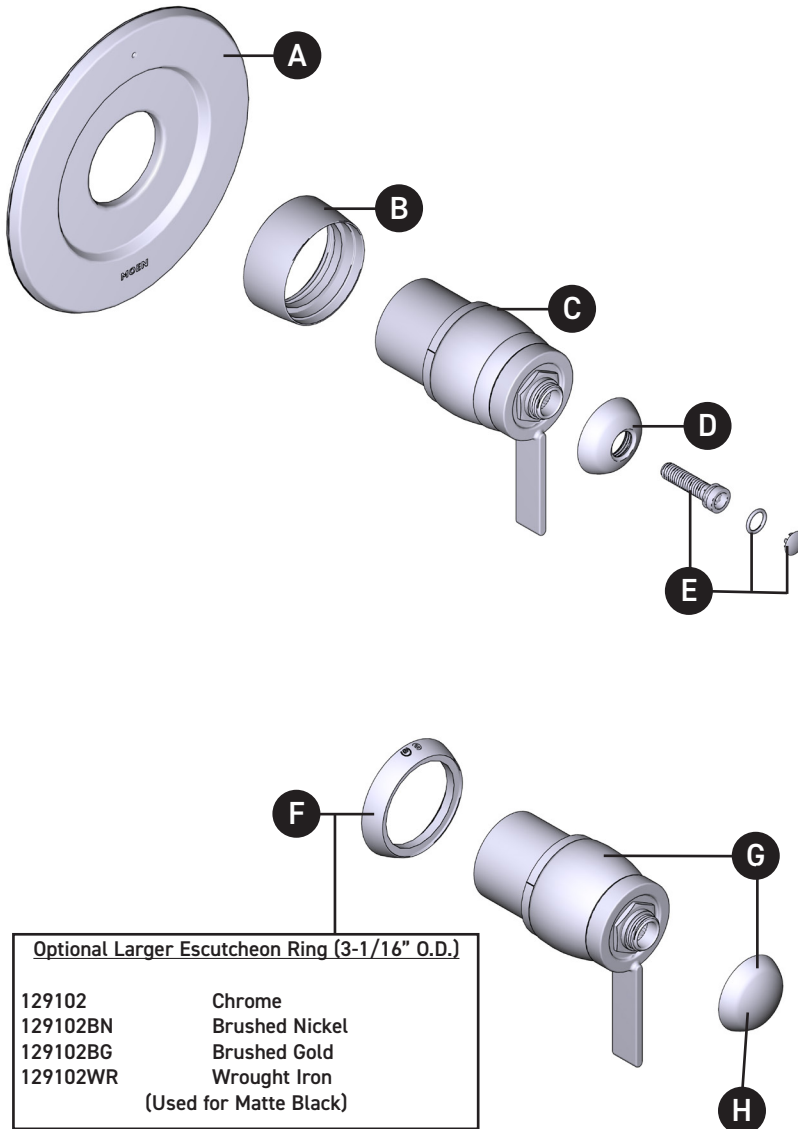
ORDER BY PART NUMBER

Illustrated Parts

CIA™

ExactTemp 3/4" Thermostatic Shower Trim

Thermostatic Valve Trim Only		Volume Control Valve Trim Only	
MODEL	FINISH	MODEL	FINISH
T4621	Chrome	T4622	Chrome
T4621BN	Brushed Nickel	T4622BN	Brushed Nickel
T4621BG	Brushed Gold	T4622BG	Brushed Gold
T4621BL	Matte Black	T4622BL	Matte Black



ID	Kit Description	Kit Number	Finish
A	Escutcheon Kit	193244	Chrome
		193244BN	Brushed Nickel
		193244BG	Brushed Gold
		193244BL	Matte Black
B	Large Ring Escutcheon Kit	130153	Chrome
		130153BN	Brushed Nickel
		130153BG	Brushed Gold
		130153WR (used for Matte Black)	Wrought Iron
C	Thermostatic Handle Kit	201909	Chrome
		201909BN	Brushed Nickel
		201909BG	Brushed Gold
		201909BL	Matte Black
D	Thermostatic Handle Cap	132320	Chrome
		132320BN	Brushed Nickel
		132320BG	Brushed Gold
		132320WR (used for Matte Black)	Wrought Iron
E	Override Screw Kit	130147	Chrome
		130147BN	Brushed Nickel
		130147BG	Brushed Gold
		130147WR (used for Matte Black)	Wrought Iron
F	Short Ring Escutcheon Kit	130152	Chrome
		130152BN	Brushed Nickel
		130152BG	Brushed Gold
		130152WR (used for Matte Black)	Wrought Iron
G	Volume Handle Kit	201910	Chrome
		201910BN	Brushed Nickel
		201910BG	Brushed Gold
		201910BL	Matte Black
H	Volume Handle Cap Kit	130150	Chrome
		130150BN	Brushed Nickel
		130150BG	Brushed Gold
		130150WR (used for Matte Black)	Wrought Iron

Optional Larger Escutcheon Ring (3-1/16" O.D.)	
129102	Chrome
129102BN	Brushed Nickel
129102BG	Brushed Gold
129102WR	Wrought Iron (Used for Matte Black)

