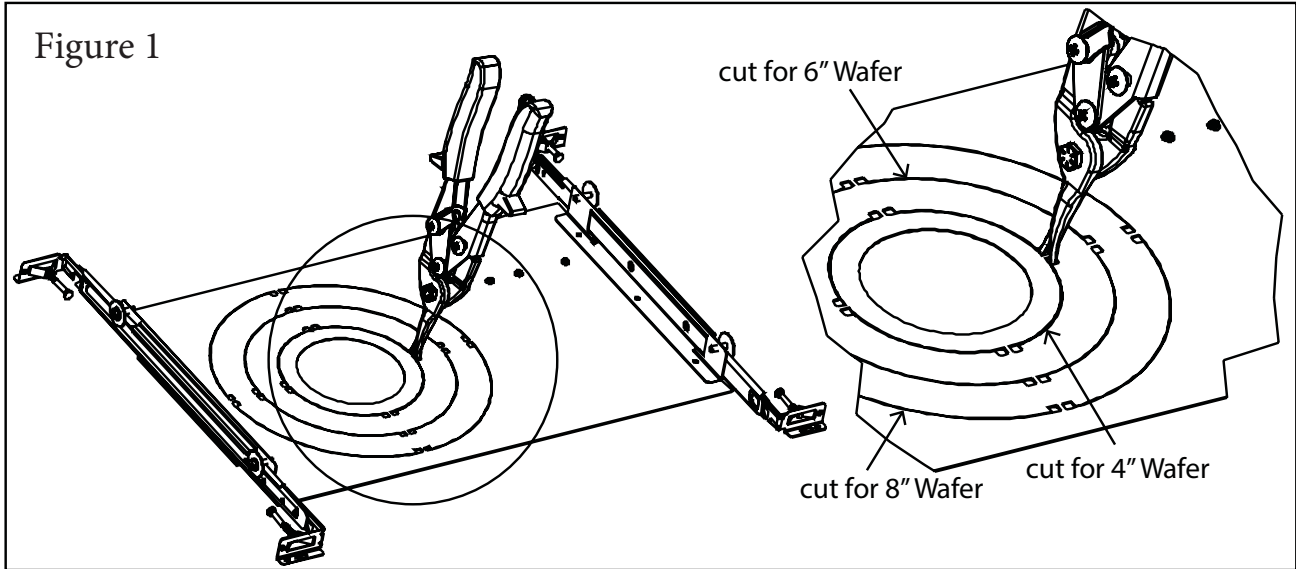


LED Ultra-Thin Wafer New Construction Plate (WF8643 PAN U)

Required Tools (not included): Safety Glasses, Gloves, Hammer, Snips, and Plier

The New Construction Plate can be installed in either wood joist or suspended ceilings

1. If 4", 6", or 8" Wafer fixture is to be installed, use Snips to cut 4 sides of the designated hole size.



Wood Joist (Dry Wall)

2. Extend the bar hangers to fit between the joist. Using the built in leveler, line fixture up with bottom of the wood joist. Using a hammer, secure the plate to the wood joist with the built in step nail (See Figure 2).

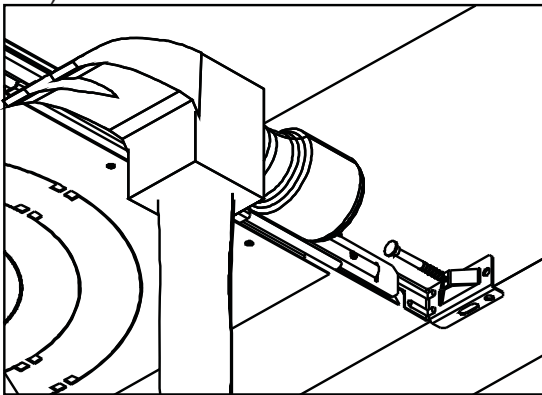


Figure 2

3. Secure Wafer Junction Box by placing it through the screw on the new construction plate and slide it down to secure it to the plate. See fixture installation instruction sheet for wiring method (See Figure 3).

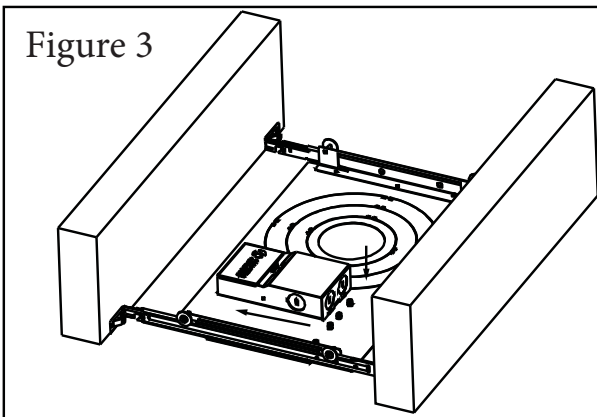


Figure 3

Suspended Ceilings (T-Grid)

2. Locate the four (4) T-bar slots near the end of the bar hanger. Bend tabs out, slip the hanger bar over the T-bar and press the tabs back against T-bar to hold it in place (See Figure 4).

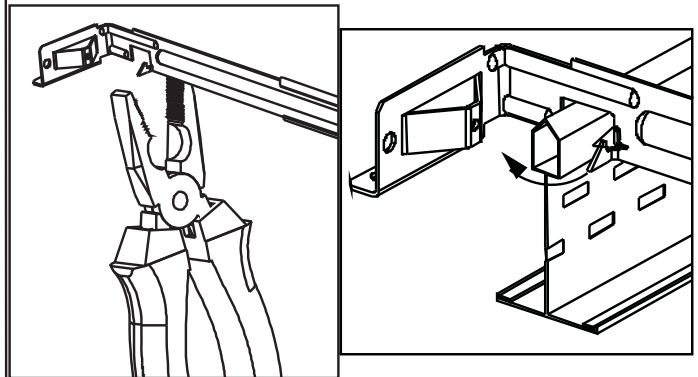


Figure 4

3. Secure Wafer Junction Box by placing it through the screw on the new construction plate and slide it down to secure it to the plate. See fixture installation instruction sheet for wiring method (See Figure 3).

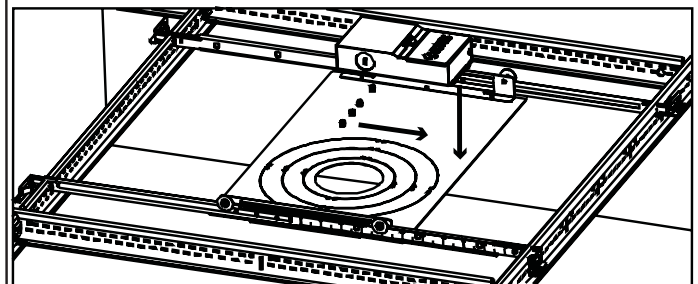


Figure 5