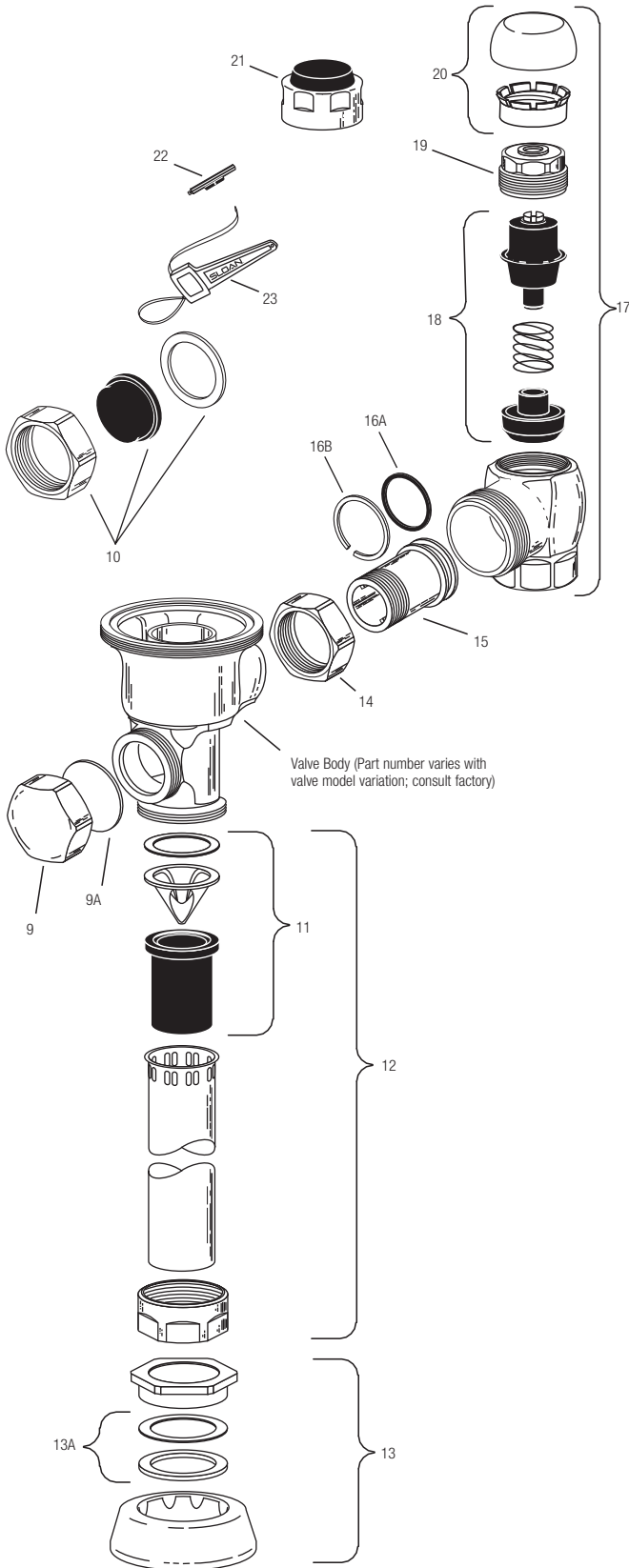


# Optima Plus® Flushometers



## OTHER VALVE COMPONENT PARTS

Item No.	Code No.	Part No.	Description
9.	<b>3325814</b>	EBV-1017-A	Handle Cap — Metal
9A.	<b>0311042</b>	K-46	Blind Nut Gasket
10.	<b>3325815</b>	EBV-1018-A	Handle Cap — Metal Coupling/Plastic Hole Cap
11.	<b>3323182</b>	V-651-A	Vacuum Breaker Repair Kit
12.	<b>3393004</b>	V-600-AA	3/4" (19 mm) x 9" (229 mm) CP Vacuum Breaker
	<b>3393006</b>	V-600-AA	1-1/4" (32 mm) x 9" (229 mm) CP Vacuum Breaker
	<b>3393007</b>	V-600-AA	1-1/2" (38 mm) x 9" (229 mm) CP Vacuum Breaker
13.	<b>0306125</b>	F-5-AW	3/4" (19 mm) CP Spud Coupling
	<b>0306140</b>	F-5-AU	1-1/4" (32 mm) CP Spud Coupling
	<b>0306146</b>	F-5-AT	1-1/2" (38 mm) CP Spud Coupling
13A.	<b>SEE SLIP JOINT GASKETS AND RINGS TABLE BELOW</b>		
14.	<b>0308676</b>	H-550	CP Stop Coupling
15.	<b>0308801</b>	H-551-A	CP Adjustable Tailpiece 2-1/16" (52 mm) long
16A.	<b>5308696</b>	H-553	O-ring — 24 per package
16B.	<b>5308381</b>	H-552	Locking ring — 12 per package
17.	<b>3308386</b>	H-700-A	1" (25 mm) Screwdriver Bak-Chek® Stop CP — complete
	<b>3308384</b>	H-700-A	3/4" (19 mm) Screwdriver Bak-Chek® Stop CP — complete
18.	<b>3308853</b>	H-541-A	Control Stop Repair Kit † 3/4" H-600/H-540 only
	<b>3308856</b>	H-543-A	Control Stop Repair Kit †
19.	<b>0308612</b>	H-622	CP Bonnet †
	<b>0308843</b>	H-577	CP Bonnet 3/4" H-600/H-540 only — <b>OBsolete!</b>
20.	<b>3308772</b>	H-1010-A	Vandal Resistant Control Stop Cap Assembly†
	<b>3308790</b>	H-1009-A	Vandal Resistant Control Stop Cap Assembly†
21.	<b>3325816</b>	EBV-1019-A	3/4" (19 mm) Decorative Stop Cap
	<b>3308866</b>	H-574	1" (25 mm) Decorative Stop Cap

## ACCESSORIES

22.	<b>0325107</b>	EBV-91	Trimpot Adjustment Screwdriver
23.	<b>0305823</b>	EBV-22	Disposable Strap Wrench

† For use w/H-700-A 1" & 3/4" and H-600-A 1" screwdriver Bak-Chek® control stops, also marked with Quiet Stop II

‡ For use w/H-600-A 3/4" urinal screwdriver Bak-Chek® control stops, also marked with Quiet Stop II

## ITEM 13A. SLIP JOINT GASKETS AND RINGS

Size	Code No.	Part No.	Description
1-1/2"	<b>5306058</b>	F-3	Red Friction Ring
	<b>5322001</b>	VBF-5	Black Slip Joint Gasket
	<b>0319086/5319086</b>	S-30	Flexible Seat
	<b>0319079</b>	S-21	Rigid Seat (rubber over brass)
1-1/2" x 1-1/4"	<b>0396062</b>	F-105	Slip Joint Gasket — Rigid
1-1/4"	<b>5306057</b>	F-3	Red Friction Ring
	<b>5322176</b>	VBF-5	Black Slip Joint Gasket
	<b>0307052/5307052</b>	G-21	Rigid Seat (rubber over brass)
1"	<b>5306056</b>	F-3	Red Friction Ring
	<b>5306115</b>	F-5	Black Slip Joint Gasket
3/4"	<b>5306055</b>	F-3	Red Friction Ring
	<b>5306113</b>	F-5	Black Slip Joint Gasket