

4

3

2

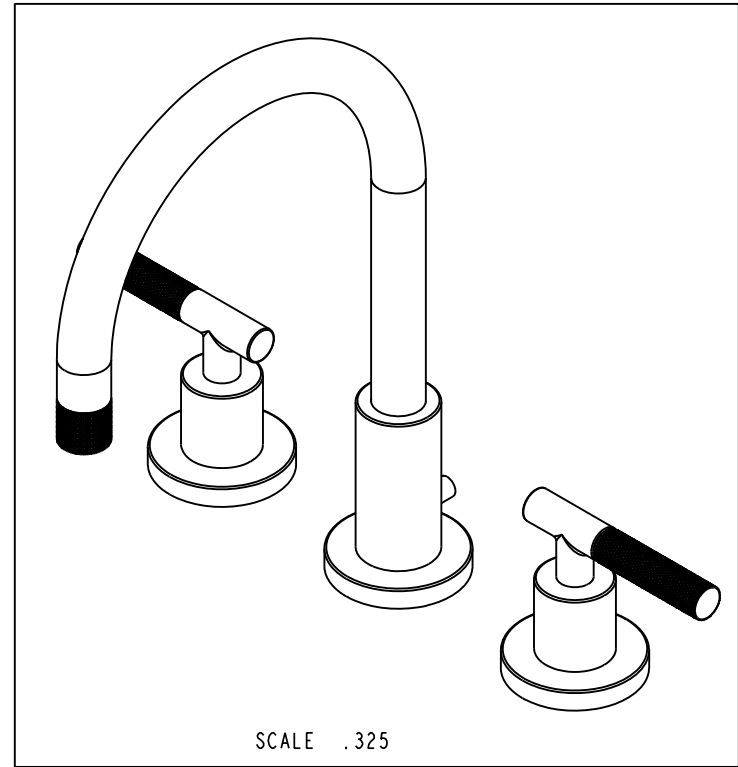
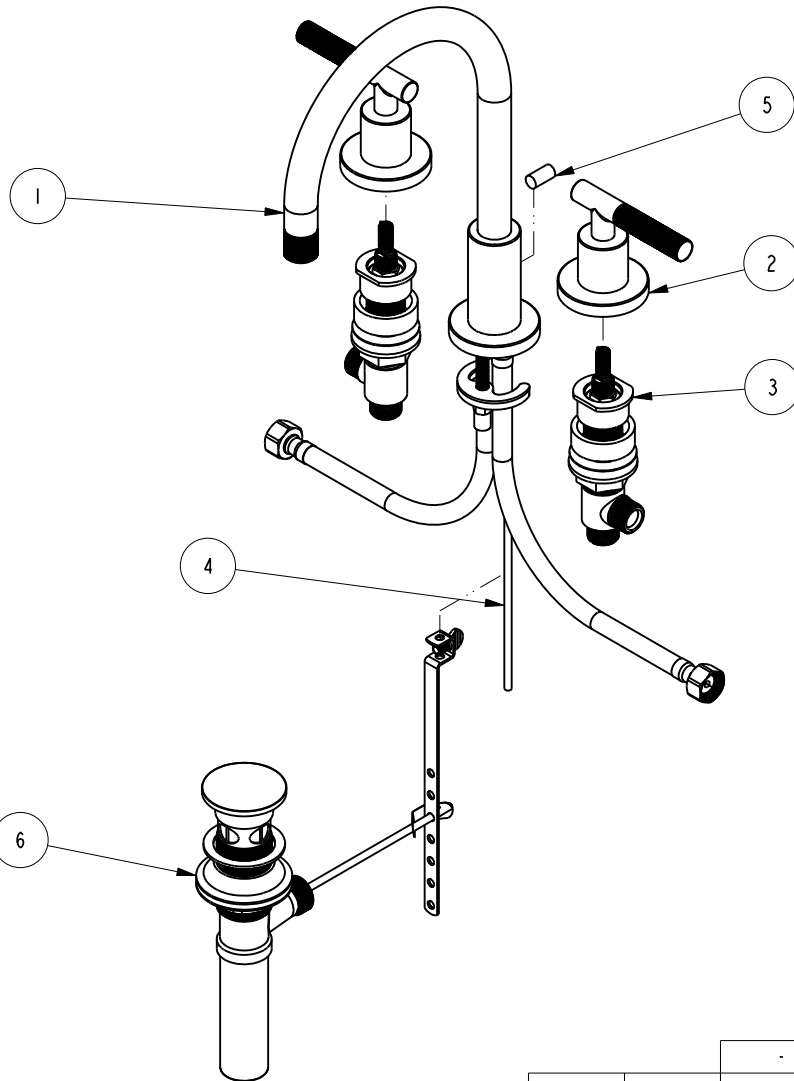
1

NOTES:

(N1) 1. FIT / FORM / FUNCTION SHALL FOLLOW PS-E.008.

BILL OF MATERIAL (CURRENT LEVEL)

ITEM	PT/ASSY	DESCRIPTION	TYPE	QTY.
1	3-691	W/S SPOUT ASM	ASSEMBLY	1
2	3-692	LEVER HANDLE W/ESC.	ASSEMBLY	2
3	1-676	W/S VALVE INSTALLATION	ASSEMBLY	1
4	10288	3/16" POP UP ROD	PART	1
5	10827	POP-UP KNOB	PART	1
6	325	POP UP ASSEMBLY	ASSEMBLY	1



D
C
B
A

D
C
B
A

TESTING	-	-	-
ASSEMBLY	-	-	-
PLATING	-	-	-
POLISHING	-	NEXT ASSY	USED ON
MACHINING	-	APPLICATION	
TOOLING FIXTURE #	REMOVE ALL BURRS AND SHARP EDGES		

BRASSTECH INCORPORATED		2001 CARNEGIE AVE. SANTA ANA, CA 92705 (949) 417-5207	
WIDESPREAD FAUCET			
DWG NO.	3290		REV
SCALE	.200	REF.	-
SHEET	1	OF	2

COPYRIGHT 2005 BRASSTECH, INC.
THESE DRAWINGS AND THE DESIGNS
DEPICTED HEREIN ARE THE PROPRIETARY
PROPERTY OF BRASSTECH. ANY USE
OR REPRODUCTION IS SUBJECT TO
THE EXPRESS APPROVAL OF BRASSTECH.
UNAUTHORIZED USE IS STRICTLY
PROHIBITED. ALL RIGHTS RESERVED.

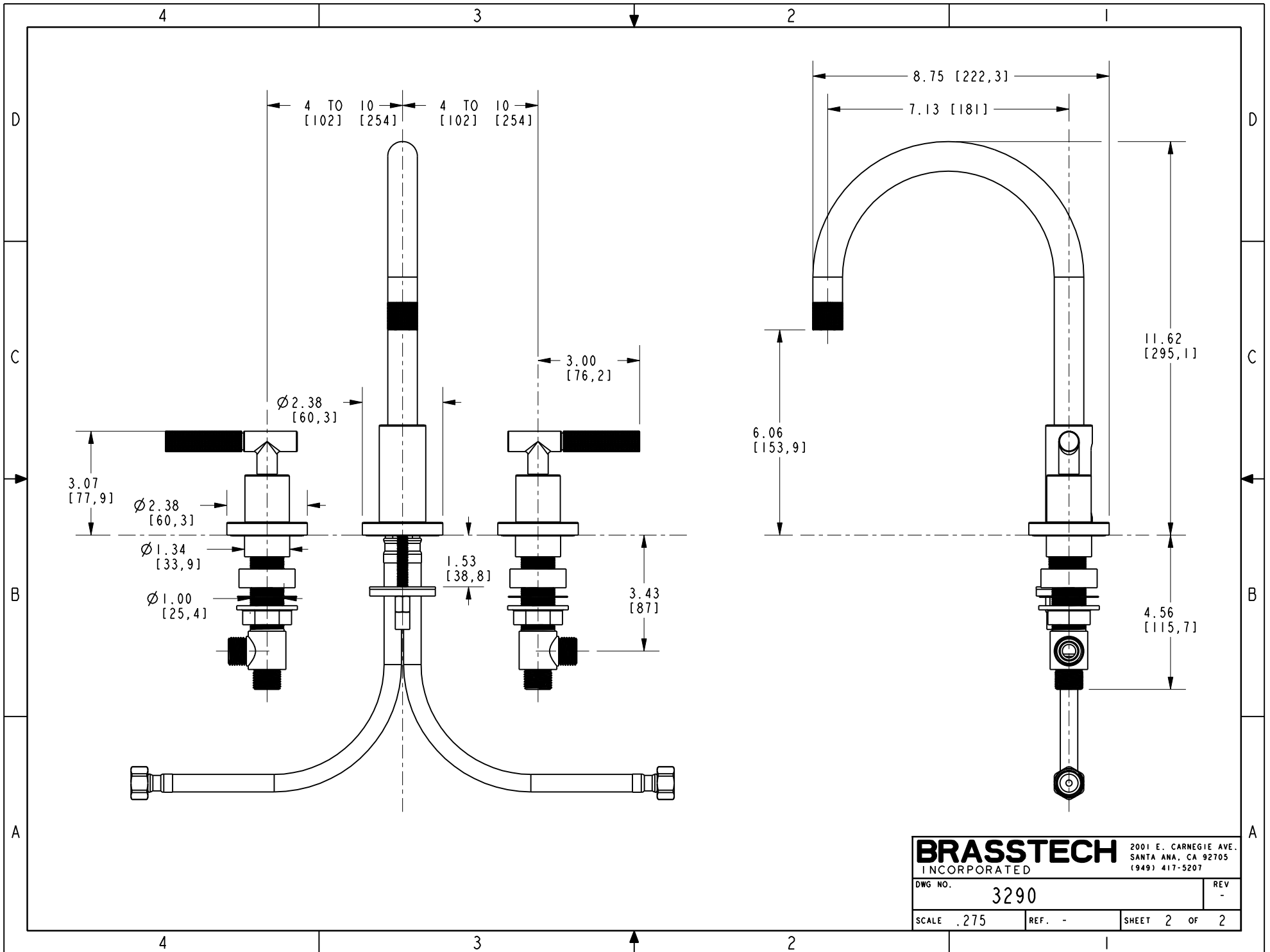
EN-4115	03/27/20	J.M.
ZONE	REV	DESCRIPTION
4		

4

3

2

1



BRASSTECH		2001 E. CARNEGIE AVE. SANTA ANA, CA 92705 (949) 417-5207	
DWG NO.	3290	REV	-
SCALE	.275	REF.	-
SHEET 2		OF 2	